



CIVILS

LANDSCAPING

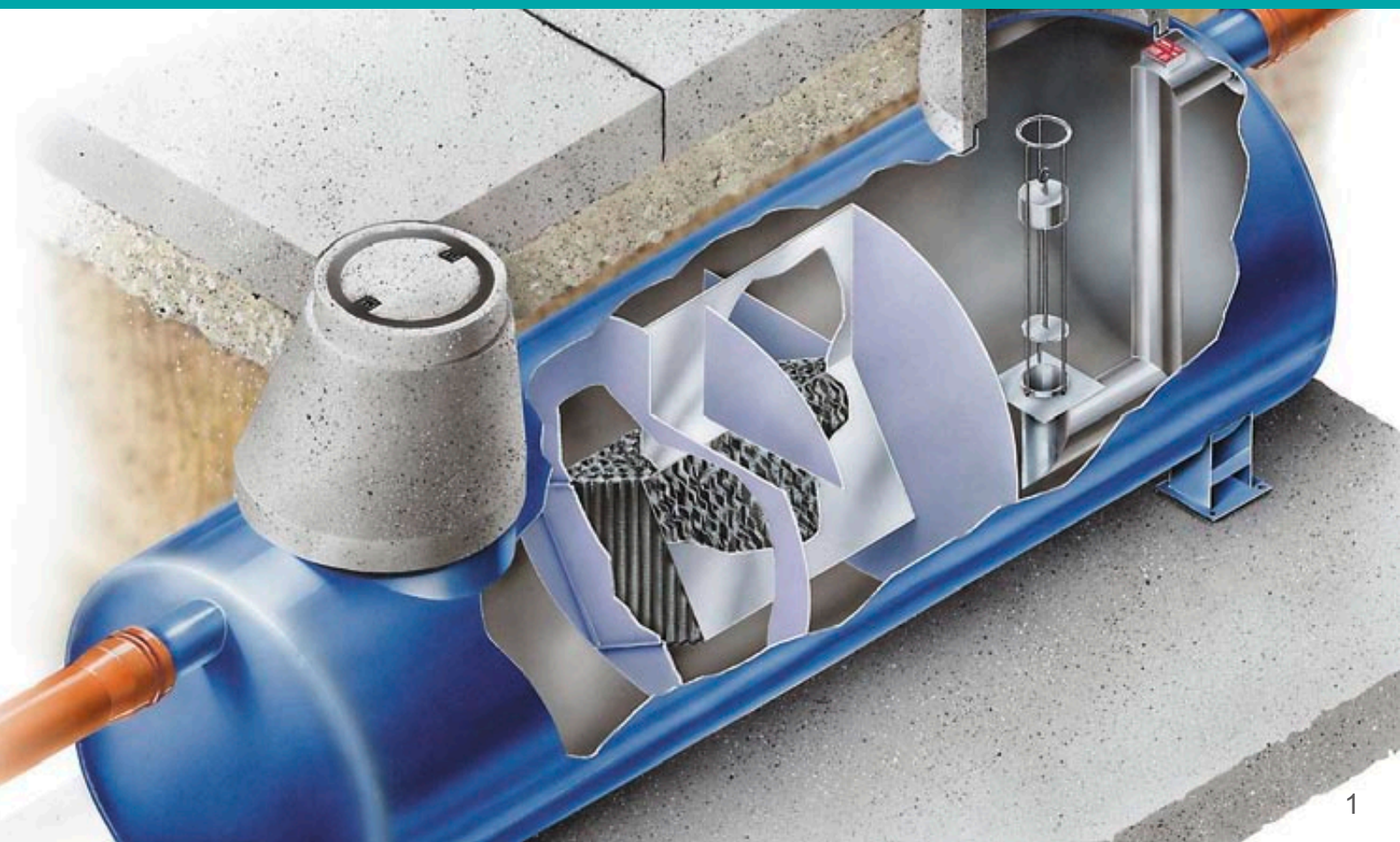
AQUA

SPORT

AQUA

AQUAFIX® SEPARATORS

 **hauraton**
IT'S RUNNING WELL



THE WATER TREATMENT RANGE.

MODERN SEPARATION TECHNOLOGY FOR SUSTAINABLE PRESERVATION OF VITAL RESOURCES.

Living rivers and lakes, intact groundwater resources, a secure and reliable water supply and efficient wastewater disposal are fundamental requirements for environmentally sound economic development. To avoid harming nature, contaminated water must be treated before it is allowed to flow directly or indirectly back into the natural water cycle.

The mechanical separation process is designed to separate mixtures of substances. The aim is to remove one or more components of the mixture.

The operating principle of the oil and light liquid separator is based on the difference in density between the water and the components being separated from it. The lighter liquid rises to the top, collects on the surface of the water and can then be removed and disposed off. Coalescence separators are an enhancement of standard petroleum separators. These systems work on the coalescence principle, i.e. encouraging the merging of small oil particles into larger ones. Even the smallest drops of oil will then float to the surface as a result of gravity, where they can be separated off.

AQUAFIX separators form part of a controlled disposal concept and will deliver many years of reliable performance. The range consists of high quality systems made of Polyethylene, Polypropylene, steel or concrete. Each system is individually measured and customised to suit the construction project, thus guaranteeing many years of efficient water treatment. AQUAFIX separators are always state of the art and comply with all relevant standards and regulations.



AQUAFIX®SEPARATORS
SERIES „G“ MADE OF STEEL



AQUAFIX®SEPARATORS
SERIES „k“ MADE OF STEEL



AQUAFIX®SEPARATORS
SERIES MADE OF CONCRETE (H/P/C)



AQUAFIX®SEPARATORS
SERIES „10 PE“ MADE OF POLYETHYLENE



AQUAFIX®SEPARATORS
SERIES „PP“ MADE OF POLYPROPYLENE



AQUAFIX®SEPARATORS
INSTALLATION INSTRUCTIONS

AQUAFIX® SEPARATORS

THE WATER TREATMENT RANGE.

MODERN SEPARATION TECHNOLOGY FOR SUSTAINABLE PRESERVATION OF VITAL RESOURCES.

REQUIREMENTS

Water is one of the most valuable resources on Earth. Germany has one of the best developed sewage systems in the world. If both are to be protected and kept in good condition for our descendants, efficient cleansing systems are required.

In fuel stations, industrial and commercial areas where surface water or effluents are polluted with hydrocarbon compounds, light liquid separators are needed that satisfy the rigorous requirements of the norms and regulations governing groundwater protection.

Effluents polluted with grease and fatty acids can cause enormous damage to drain systems and sewage plants. This is where AQUAFIX-Grease and Starch Separators make a valuable contribution to protecting the environment.

APPLICATION AREAS

Fuel stations, car washes, car repair workshops, car showrooms, oil depots, car scrap yards, transformer stations, industrial plants where lubricating oil is used, road haulage depots, police, fire brigade, army, maintenance/servicing areas, parking areas, car customisers and importers, canteen kitchens, student refectories, cafés and restaurants, hotels, cafeterias, producers of ready-made meals, producers of tinned foods, sweet factories, potato processing plants, producers of frozen foods, commercial bakeries, abattoirs, butchers, animal product processing plants, soap and stearin factories, cosmetics industry, cat and dog food producers, fair-ground operators and many more.

AQUAFIX® SEPARATORS

ALARM DEVICES.

SECURITY FOR THE ENVIRONMENT.

WARNING SYSTEMS

□ Warning system type 1

The W1 LAL-SRW-PF-01 warning system is an alarming device for light liquid separators (petrol, oil and coalescence separators) that is licensed for operation in potentially explosive areas (Zone 0). It is used to detect the oil layer thickness in a light liquid separator. The warning system consists of a signalling unit with LED's for „Power“, „System OK“, „Layer thickness alarm“ and „Sensor error“ and an acoustic alarm. The acoustic alarm can be manually disabled. The „Sensor error“ diode cannot be acknowledged until the cause of the alarm has actually been rectified.

A sensor that creates an electrical field is suspended in the separator. When the light liquid layer in a separator becomes thicker and the separating layer between the water and the light liquid is relocated downwards, the tip of the sensor is suspended in the light liquid. This affects the electrical field and an alarm is triggered.

Item no.: 134100



□ Warning system type 2

The W2 LAL-SRW-PF-08 warning system is an alarming device for light liquid separators. It has the same signalling unit, but has negative switching. In warning system 2 an alarm is signalled when current is flowing. As soon as the liquid level increases and the probe tips reach the surface of the water, an alarm is triggered. In this case the cause of the backup in the separator is irrelevant. For example, if the coalescence material is soiled and preventing an adequate water flow, an alarm is signalled. An alarm is also triggered if the pipeline behind the separator is blocked or the entire system is hydraulically overloaded because of heavy rainfall. Item no.: 134200



□ Warning system type 3

Has a signalling unit with two plug-in units and two probes. It is a combination of warning systems 1 and 2.

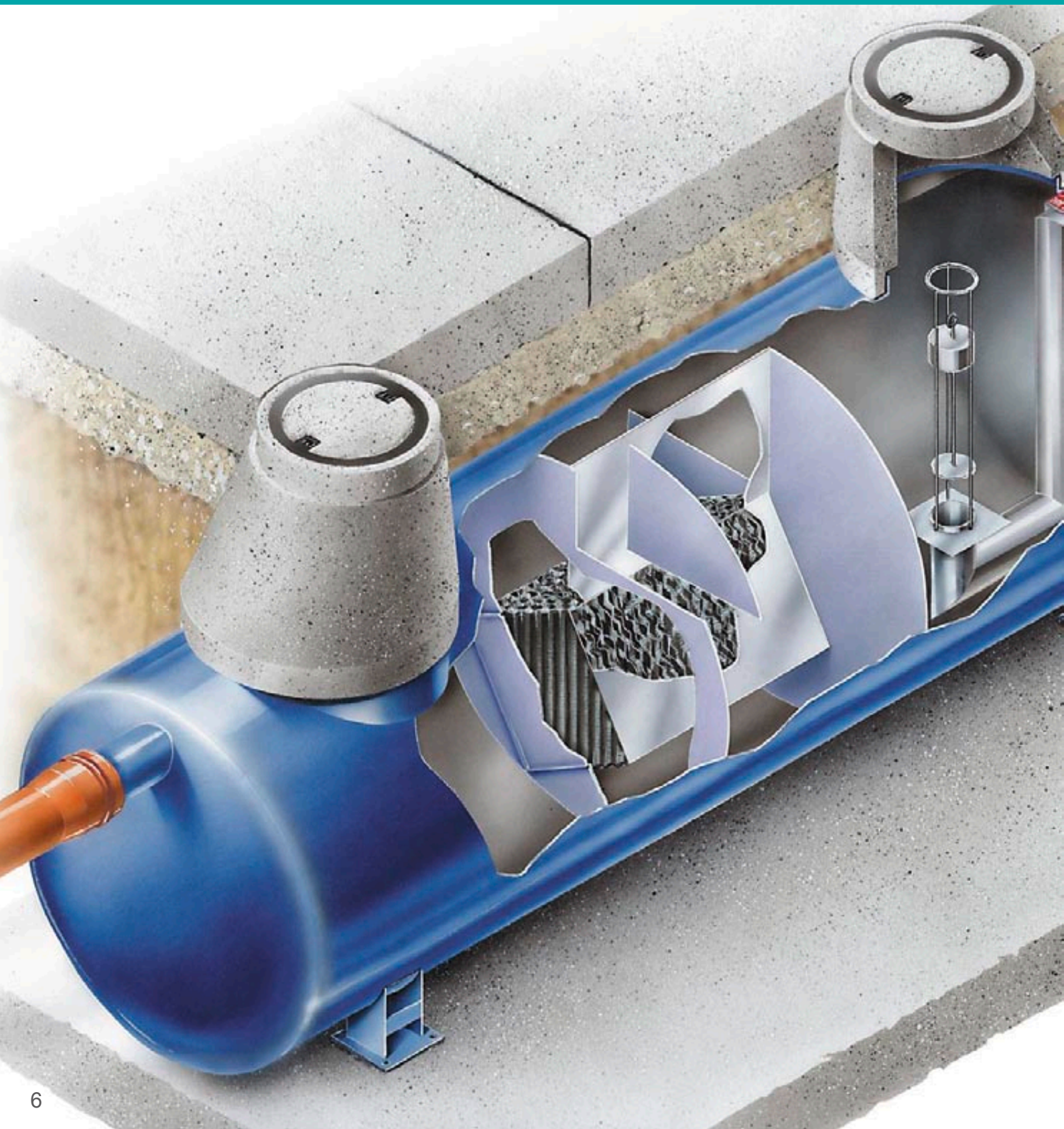
Item no. 134300



AQUAFIX® SEPARATORS

SERIES „G“ MADE OF STEEL

HIGHEST VOLUME FOR BIGGEST FLOW.





AT A GLANCE:

- ✓ Compact design
- ✓ Separator tank, continuously chargeable up to class D 400
- ✓ Galvanised inside and outside or coated with several layers of epoxy resin on pretreated surface

AQUAFIX® SEPARATORS

SERIES „G“ MADE OF STEEL

HIGHEST VOLUME FOR BIGGEST FLOW.

FEATURES

- Compact design
- Complies with standards EN 858/DIN 1999
- Inlets and outlets made from 6 mm steel plate, same diameter as KG pipes
- Patented float, easy to remove as required by the norm
- Easy to clean lamellar coalescence material
- Maintenance-free coalescence block
- Sampling system can be integrated
- Increased cleaning performance possible
- Warning systems can be integrated
- Additional coalescence element can be retrofitted

SHAFT MATERIALS

□ Extensions

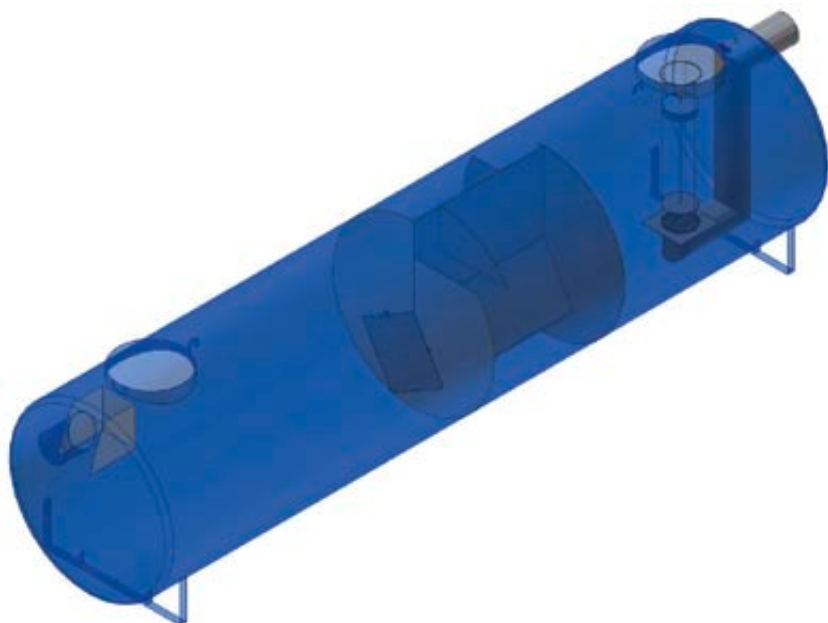
The 625 and 1000 mm diameter access openings are designed to be completed with DIN 4034/1 shaft material. Shaft extensions can be supplied.



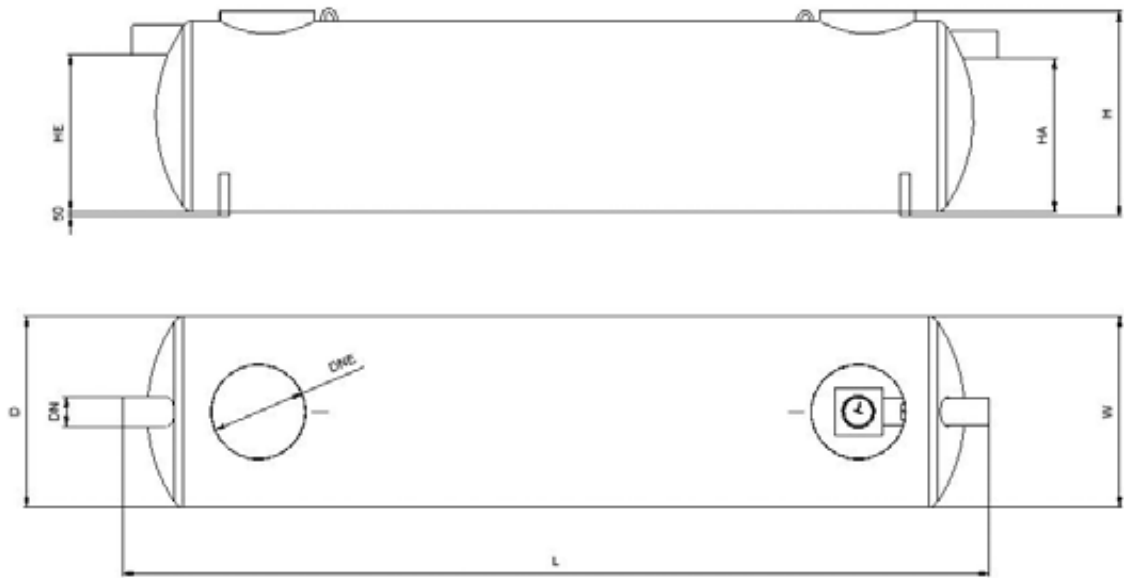


AQUAFIX® Separators from steel - Series G

AQUAFIX® - SKG Coalescence separator with sludge trap



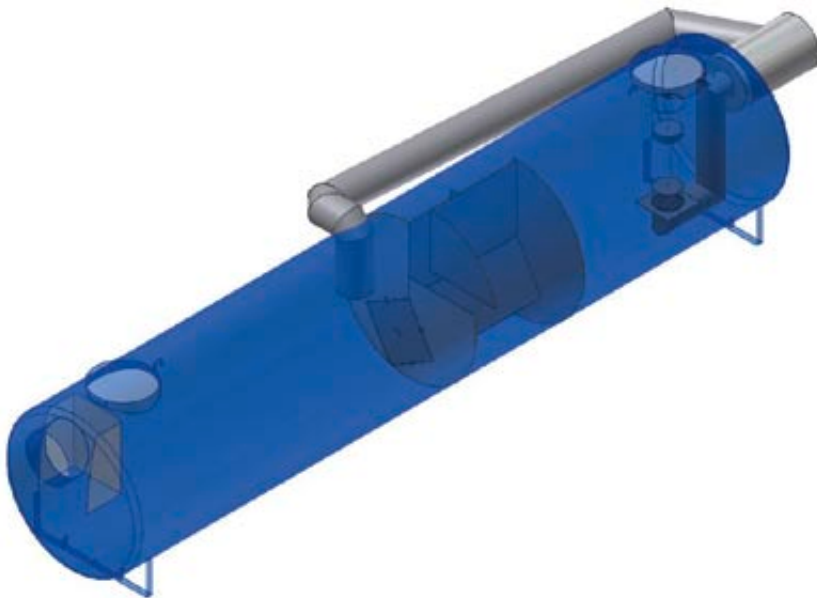
	Length mm	Width mm	Height mm	max. Flow l/s	ø Separator mm	sludge trap capacity l
SKG 015	3860	1250	1400	15	1238	1580
SKG 020	4960	1250	1400	20	1238	1890
SKG 025	4550	1600	1750	25	1588	2900
SKG 030	5200	1600	1750	30	1588	3620
SKG 035	5600	1600	1750	35	1588	3800
SKG 040	6020	1600	1750	40	1588	4710
SKG 045	5150	2000	2150	45	1988	4850
SKG 050	5450	2000	2150	50	1988	6100
SKG 060	6040	2000	2150	60	1988	6930
SKG 065	6350	2000	2150	65	1988	7380
SKG 070	6750	2000	2150	70	1988	8040
SKG 075	7200	2000	2150	75	1988	8320
SKG 080	7660	2000	2150	80	1988	9150
SKG 090	8240	2000	2150	90	1988	10260
SKG 100	9100	2000	2150	100	1988	11370
SKG 120	8100	2500	2650	120	2488	13520
SKG 130	8100	2500	2650	130	2488	13520
SKG 140	8440	2500	2650	140	2488	14220
SKG 150	8440	2500	2650	150	2488	14220
SKG 160	9740	2500	2650	160	2488	18100
SKG 170	9740	2500	2650	170	2488	18100
SKG 180	10540	2500	2650	180	2488	19820
SKG 200	11300	2500	2650	200	2488	21540
SKG 250	14100	2500	2650	250	2488	28270



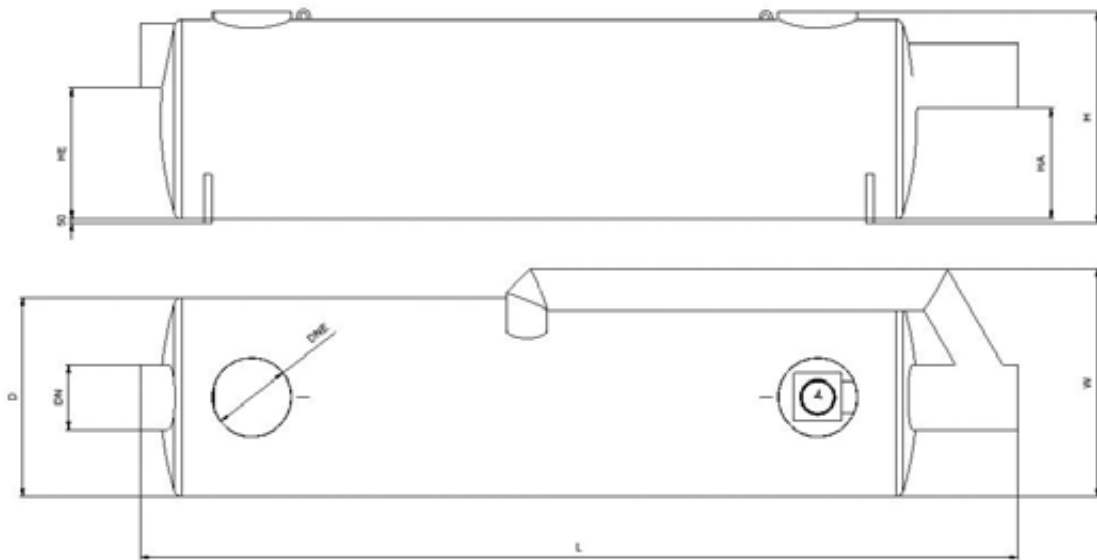
separator capacity l	DN in-/outlet mm	HE H inlet mm	HA H outlet mm	DNE manhole 1	DNE manhole 2	Weight kg	storage capacity l	Item No.
1400	200	1000	950	625	625	1400,0	504	181015
2200	200	1000	950	625	625	1600,0	792	181020
3380	200	1350	1300	1000	1000	1800,0	828	181025
3820	200	1350	1300	1000	1000	1950,0	935	181030
4340	200	1350	1300	1000	1000	2100,0	1063	181035
4200	200	1350	1300	1000	1000	2250,0	1029	181040
6090	300	1650	1600	1000	1000	2850,0	1206	181045
5930	300	1650	1600	1000	1000	2950,0	1203	181050
6470	300	1650	1600	1000	1000	3150,0	1281	181060
6870	300	1650	1600	1000	1000	3300,0	1361	181065
7280	300	1650	1600	1000	1000	3400,0	1441	181070
8250	300	1650	1600	1000	1000	3600,0	1633	181075
8680	300	1650	1600	1000	1000	3800,0	1718	181080
9160	300	1650	1600	1000	1000	4000,0	1814	181090
10400	300	1650	1600	1000	1000	4300,0	2060	181100
16000	400	2050	2000	1000	1000	5200,0	2491	181120
16000	400	2050	2000	1000	1000	5250,0	2491	181130
16840	400	2050	2000	1000	1000	5550,0	2623	181140
16840	400	2050	2000	1000	1000	5600,0	2623	181150
18530	400	2050	2000	1000	1000	6050,0	2885	181160
18530	400	2050	2000	1000	1000	6100,0	2885	181170
20210	400	2050	2000	1000	1000	6500,0	3148	181180
21730	400	2050	2000	1000	1000	6700,0	3384	181200
26950	400	2050	2000	1000	1000	7650,0	4197	181250

AQUAFIX® Separators from steel - Series G

AQUAFIX® - SKGBP Coalescence separator with sludge trap and bypass



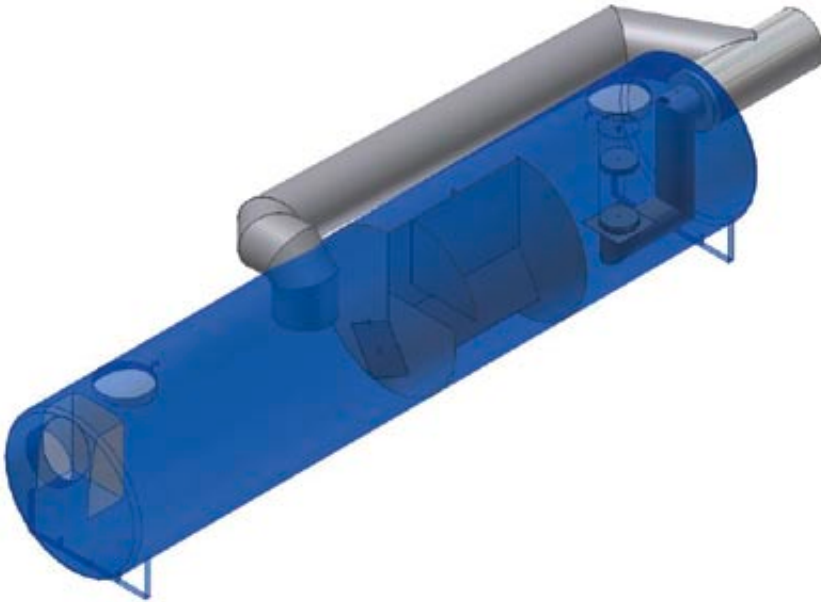
	Length mm	Width mm	Height mm	max. Flow l/s	ø Separator mm	sludge trap capacity l
SKGBP 015	4700	1500	1400	75	1238	1500
SKGBP 020	5825	1500	1400	100	1238	2300
SKGBP 025	5235	1900	1750	125	1588	2990
SKGBP 030	6300	1900	1750	150	1588	3960
SKGBP 035	6300	1900	1750	175	1588	3960
SKGBP 040	7200	1900	1750	200	1588	4850
SKGBP 045	5400	2200	2150	225	1988	5120
SKGBP 050	6000	2200	2150	250	1988	5690
SKGBP 055	6300	2200	2150	275	1988	5920
SKGBP 060	6300	2200	2150	300	1988	5920
SKGBP 065	7200	2200	2150	325	1988	7460
SKGBP 070	8000	2200	2150	350	1988	8390
SKGBP 075	8000	2200	2150	375	1988	8390
SKGBP 080	8500	2200	2150	400	1988	8600
SKGBP 090	7300	2800	2650	450	2488	10010
SKGBP 100	7300	2800	2650	500	2488	10010
SKGBP 120	8800	2800	2650	600	2488	14010
SKGBP 130	9600	2800	2650	650	2488	14580
SKGBP 140	10300	2900	2650	700	2488	15640
SKGBP 150	11000	2900	2650	750	2488	16710
SKGBP 160	11500	2900	2650	800	2488	17780
SKGBP 170	12000	2900	2650	850	2488	19020
SKGBP 180	12700	2900	2650	900	2488	20090
SKGBP 200	13900	2900	2650	1000	2488	22220
SKGBP 250	17200	2900	2650	1250	2488	28440



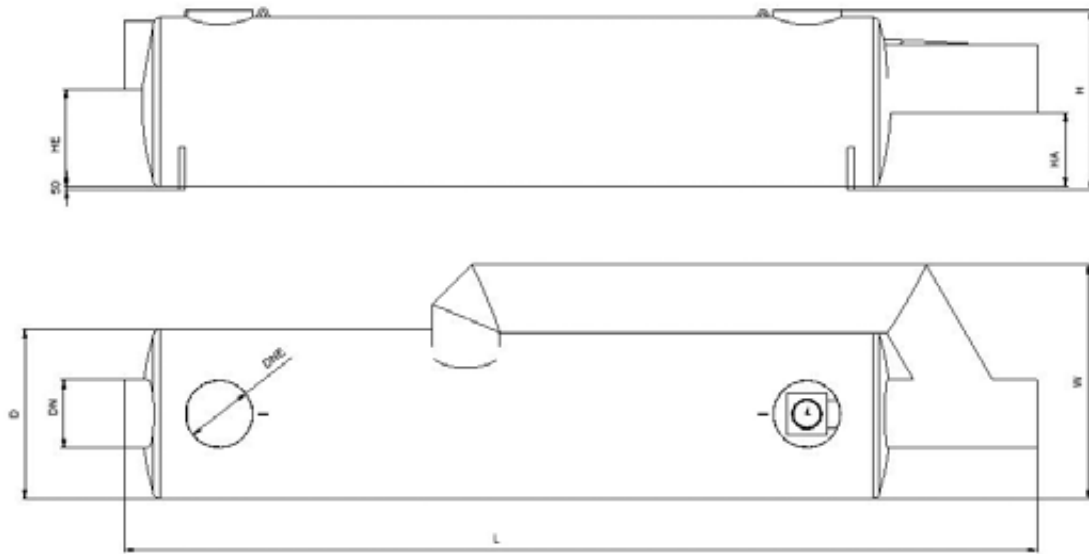
separator capacity l	DN in-/outlet mm	HE H inlet mm	HA H outlet mm	DNE manhole 1	DNE manhole 2	Weight kg	storage capacity l	Item No.
1770	300	920	870	625	625	1700,0	694	182015
2080	300	920	870	625	625	1900,0	814	182020
2940	400	1150	1000	1000	1000	2350,0	887	182025
4020	400	1150	1000	1000	1000	2700,0	1215	182030
4020	400	1150	1000	1000	1000	2750,0	1215	182035
4330	400	1150	1000	1000	1000	3050,0	1308	182040
5750	400	1550	1450	1000	1000	3100,0	1207	182045
5490	500	1450	1300	1000	1000	3300,0	1292	182050
6220	500	1450	1300	1000	1000	3500,0	1465	182055
6220	500	1450	1300	1000	1000	3600,0	1465	182060
6950	500	1450	1300	1000	1000	4050,0	1637	182065
7810	500	1450	1300	1000	1000	4250,0	1838	182070
7810	500	1450	1300	1000	1000	4300,0	1838	182075
9030	500	1450	1300	1000	1000	4500,0	2125	182080
12510	600	1850	1650	1000	1000	5450,0	2249	182090
12510	600	1850	1650	1000	1000	5600,0	2249	182100
14610	600	1850	1700	1000	1000	6150,0	2628	182120
13400	800	1650	1400	1000	1000	6300,0	2901	182130
14900	800	1650	1400	1000	1000	6700,0	3050	182140
15120	800	1650	1400	1000	1000	6900,0	3273	182150
16150	800	1650	1400	1000	1000	7450,0	3497	182160
17010	800	1650	1400	1000	1000	7650,0	3682	182170
18040	800	1650	1400	1000	1000	7950,0	3905	182180
20110	800	1650	1400	1000	1000	8650,0	4352	182200
25430	800	1650	1400	1000	1000	10400,0	5505	182250

AQUAFIX® Separators from steel - Series G

AQUAFIX® - SKG2BP Coalescence separator with sludge trap and bypass with increased flow



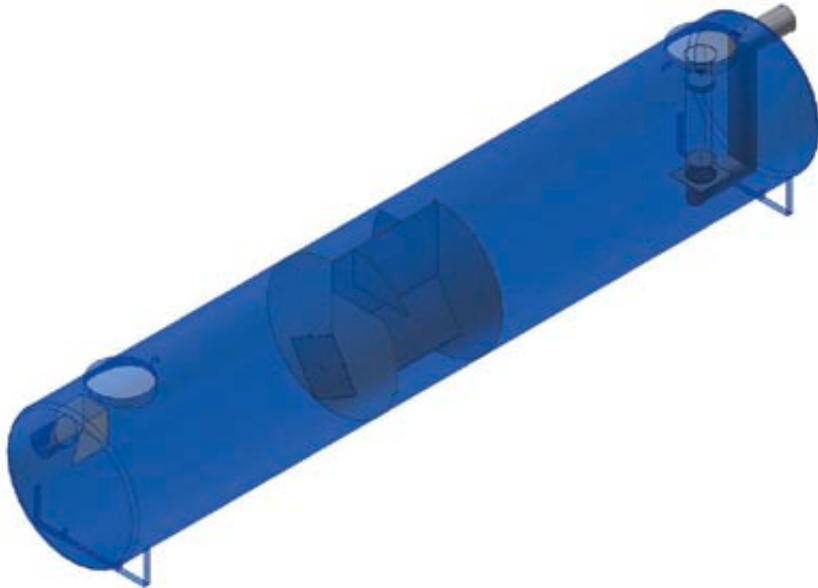
	Length mm	Width mm	Height mm	max. Flow l/s	ø Separator mm	sludge trap capacity l
SKG2BP 015	5000	1700	1400	150	1238	1510
SKG2BP 020	6300	1700	1400	200	1238	2310
SKG2BP 025	5100	2100	1750	250	1588	2990
SKG2BP 030	7100	2100	1750	300	1588	4050
SKG2BP 035	7100	2100	1750	350	1588	4050
SKG2BP 040	8200	2100	1750	400	1588	4860
SKG2BP 045	6000	2500	2150	450	1988	5310
SKG2BP 050	6200	2500	2150	500	1988	5690
SKG2BP 055	7400	2600	2150	550	1988	6110
SKG2BP 060	7400	2600	2150	600	1988	6110
SKG2BP 065	8200	2600	2150	650	1988	7520
SKG2BP 070	9100	2600	2150	700	1988	8460
SKG2BP 075	9100	2600	2150	750	1988	8460
SKG2BP 080	11900	2900	2150	800	1988	8850
SKG2BP 090	9000	3300	2650	900	2488	9950
SKG2BP 100	9000	3300	2650	1000	2488	9950
SKG2BP 120	10700	3300	2650	1200	2488	13860
SKG2BP 130	11500	3300	2650	1300	2488	14580
SKG2BP 140	13000	3500	2650	1400	2488	15970
SKG2BP 150	13500	3500	2650	1500	2488	16890
SKG2BP 160	14500	3500	2650	1600	2488	18120
SKG2BP 170	15000	3500	2650	1700	2488	19350
SKG2BP 180	15800	3500	2650	1800	2488	20270
SKG2BP 200	11800	3900	3050	2000	2888	20640
SKG2BP 250	13700	3900	3050	2500	2888	25220



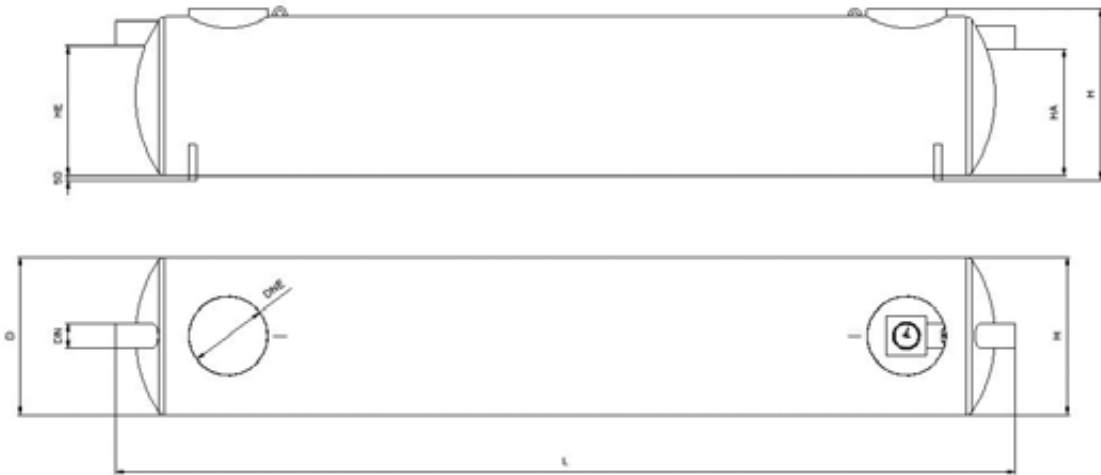
separator capacity l	DN in-/outlet mm	HE H inlet mm	HA H outlet mm	DNE manhole 1	DNE manhole 2	Weight kg	storage capacity l	Item No.
1740	400	820	670	625	625	2300,0	812	184015
2070	400	820	670	625	625	2700,0	967	184020
2940	400	1150	1000	1000	1000	2800,0	888	184025
4060	500	1050	850	1000	1000	3250,0	1116	184030
4060	500	1050	850	1000	1000	3300,0	1116	184035
4760	500	1050	850	1000	1000	3750,0	1456	184040
5370	500	1450	1300	1000	1000	3800,0	1493	184045
5490	500	1450	1300	1000	1000	3900,0	1551	184050
6320	600	1350	1150	1000	1000	4500,0	1784	184055
6320	600	1350	1150	1000	1000	4600,0	1784	184060
6990	600	1350	1150	1000	1000	4650,0	1962	184065
7900	600	1350	1150	1000	1000	5050,0	2081	184070
7900	600	1350	1150	1000	1000	5100,0	2081	184075
9330	800	1150	850	1000	1000	6400,0	3124	184080
12720	800	1650	1400	1000	1000	6700,0	2752	184090
12720	800	1650	1400	1000	1000	6800,0	2752	184100
15120	800	1650	1400	1000	1000	7500,0	3273	184120
16840	800	1650	1400	1000	1000	7900,0	3645	184130
14440	1000	1450	1100	1000	1000	8000,0	3795	184140
15320	1000	1450	1100	1000	1000	8200,0	4027	184150
16500	1000	1450	1100	1000	1000	8900,0	4337	184160
17090	1000	1450	1100	1000	1000	9500,0	4492	184170
18270	1000	1450	1100	1000	1000	10350,0	4802	184180
19120	1000	1850	1500	1000	1000	10800,0	3742	184200
22820	1000	1850	1450	1000	1000	11200,0	4654	184250

AQUAFIX® Separators from steel - Series G

AQUAFIX® - SKGL Coalescence separator with increased cleaning performance



	Length mm	Width mm	Height mm	max. Flow l/s	ø Separator mm	sludge trap capacity l
SKGL 015	4660	1250	1400	15	1238	1580
SKGL 020	6260	1250	1400	20	1238	1890
SKGL 025	5720	1600	1750	25	1588	2900
SKGL 030	6420	1600	1750	30	1588	3620
SKGL 035	7020	1600	1750	35	1588	3800
SKGL 040	7620	1600	1750	40	1588	4710
SKGL 045	6440	2000	2150	45	1988	4850
SKGL 050	6840	2000	2150	50	1988	5820
SKGL 060	7440	2000	2150	60	1988	6930
SKGL 065	7740	2000	2150	65	1988	7490
SKGL 070	8340	2000	2150	70	1988	8040
SKGL 075	8940	2000	2150	75	1988	8320
SKGL 080	9540	2000	2150	80	1988	9150
SKGL 090	10240	2000	2150	90	1988	10260
SKGL 100	11340	2000	2150	100	1988	11370
SKGL 120	9940	2500	2650	120	2488	13790
SKGL 130	9940	2500	2650	130	2488	13790
SKGL 140	10740	2500	2650	140	2488	14220
SKGL 150	10740	2500	2650	150	2488	14220
SKGL 160	11940	2500	2650	160	2488	18100
SKGL 170	11940	2500	2650	170	2488	18100
SKGL 180	12940	2500	2650	180	2488	19820
SKGL 200	14240	2500	2650	200	2488	21540
SKGL 250	17740	2500	2650	250	2488	28440



separator capacity l	DN in-/outlet mm	HE H inlet mm	HA H outlet mm	DNE manhole 1	DNE manhole 2	Weight kg	storage capacity l	Item No.
2200	200	1000	950	625	625	1500,0	792	186015
3500	200	1000	950	625	625	2500,0	1260	186020
5430	200	1350	1300	1000	1000	3000,0	1329	186025
5950	200	1350	1300	1000	1000	3350,0	1458	186030
6830	200	1350	1300	1000	1000	3500,0	1672	186035
7000	200	1350	1300	1000	1000	3800,0	1715	186040
9570	300	1650	1600	1000	1000	3350,0	1894	186045
9700	300	1650	1600	1000	1000	3450,0	1921	186050
10240	300	1650	1600	1000	1000	3700,0	2028	186060
10510	300	1650	1600	1000	1000	3850,0	2081	186065
11590	300	1650	1600	1000	1000	4050,0	2294	186070
12940	300	1650	1600	1000	1000	4200,0	2561	186075
13740	300	1650	1600	1000	1000	4500,0	2721	186080
14550	300	1650	1600	1000	1000	4700,0	1761	186090
16440	300	1650	1600	1000	1000	4800,0	3255	186100
23580	400	2050	2000	1000	1000	6100,0	3672	186120
23580	400	2050	2000	1000	1000	6200,0	3672	186130
26530	400	2050	2000	1000	1000	6500,0	4131	186140
26530	400	2050	2000	1000	1000	6550,0	4131	186150
27790	400	2050	2000	1000	1000	7500,0	3672	186160
27790	400	2050	2000	1000	1000	7600,0	3672	186170
30320	400	2050	2000	1000	1000	7700,0	4722	186180
34110	400	2050	2000	1000	1000	7800,0	5312	186200
42110	400	2050	2000	1000	1000	8500,0	6558	186250

AQUAFIX® SEPARATORS

INSTALLATION INSTRUCTIONS

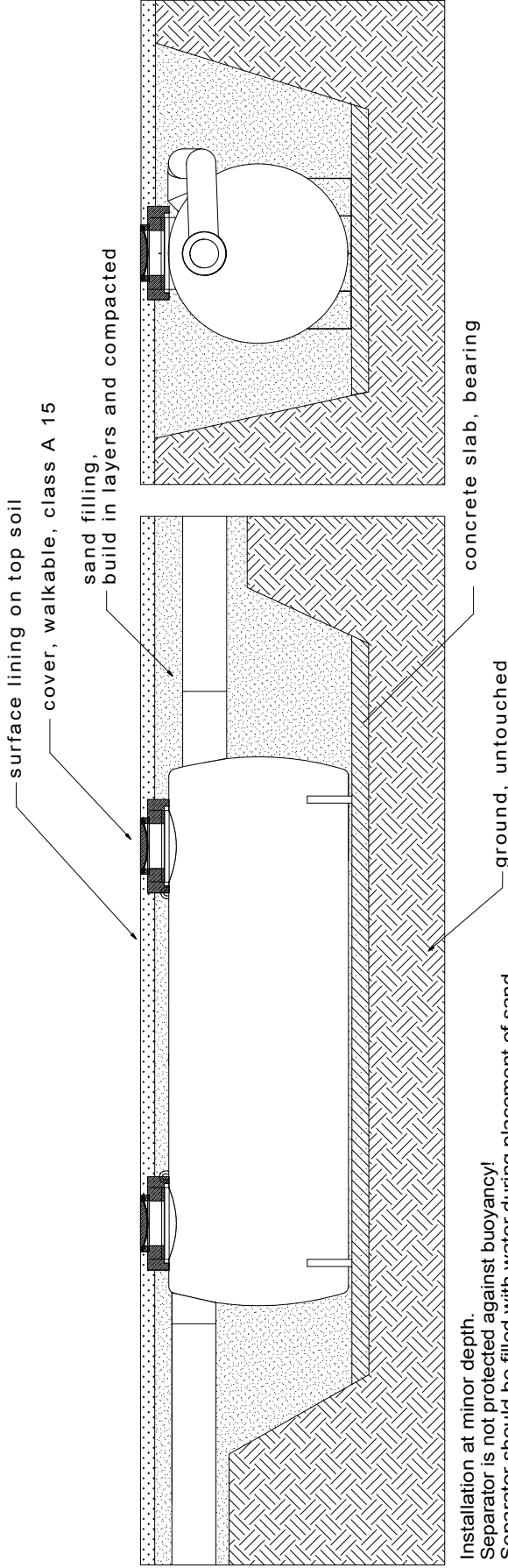
SEPARATORS SERIES „G“ MADE OF STEEL

INSTALLATION ADVISES FOR AQUAFIX® SEPARATORS SERIES „G“ MADE OF STEEL

1. Please check completeness of delivery and immediately note any parts that are missing or were damaged in transit on the delivery note. Complaints received at a later date will not be accepted. Otherwise our general business terms and conditions apply.
2. The separator must be installed outside the washing areas where it will not overflow or back up. It must also be as close as possible to the source of the sewage, in the open but protected from the frost and easy to access by cleaning vehicles. The outlets and pipes must be able to drain off.
3. The excavation base must be level. If no suitable soil is available a 10 mm thick compressed bed of sand or small pebbles can be used. A foundation plate would be even better. If the foundation soil is non-supporting, make a statically dimensioned foundation plate.
4. Take thickness of base and correction layer into consideration in height calculations. Pay attention to height information in installation drawing.
5. Tank must be installed in a level position.
6. The material must be level as it flows through the separator. Inlets and outlets must be correctly aligned. The inlet and outlet must not be the wrong way around! Use the correct gradient! Recommended total gradient of system must be 2-5%!
7. Install system with top edge higher than last inlet point.
8. Pipelines must be connected without leaks.
9. After all tanks, tops, covers and connecting pipes have been correctly aligned, clean the system!
10. Before filling up the system, fill all tanks with fresh water and check for leaks. The leak test is mandatory!
11. Do not modify tank or pipes again after filling with sand and compressing. Please refer to provided installation drawing.
12. Attach concrete plate to provide buoyancy protection if necessary.
13. When fitting the dome shafts, ensure that the seals are correctly seated! Please use an adequate quantity of lubricant. We recommend laying the shaft elements beneath each other in mortar.
14. With liquid separation systems: When filling with fresh water, hold float in raised position by hand until it is able to float independently. Report start-up to relevant authority. Always follow accident prevention regulations during installation!

INSTALLATION DRAWING

Installation drawing series G, separator from steel walkable areas - loading capacity A 15

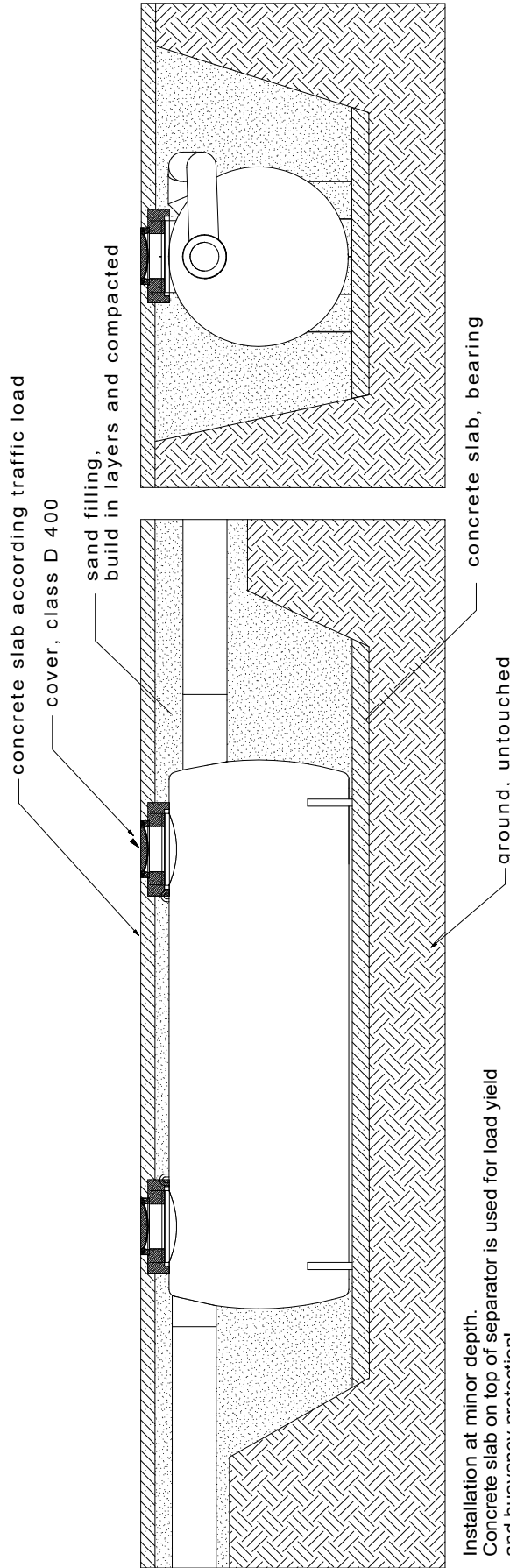


Installation at minor depth.
Separator is not protected against buoyancy!
Separator should be filled with water during placement of sand filling continuously.

hauraton		Einbauzeichnung G Kl. A geringe Tiefe englisch	
Erstellt: Coe	070725	AQUAFIX	
gezeichnet: Coe	07.07.25	Hauraton GmbH & Co KG Werktstraße 13 D-76437 Haslach Tel. +49 7222 958-0 Fax +49 7222 958-100 www.hauraton.com mail: export@hauraton.com	
CoB	08.12.08	Anbauung	
Coe		Textänderung	

INSTALLATION DRAWING

Installation drawing series G, separator from steel
 trafficable areas - loading capacity D 400



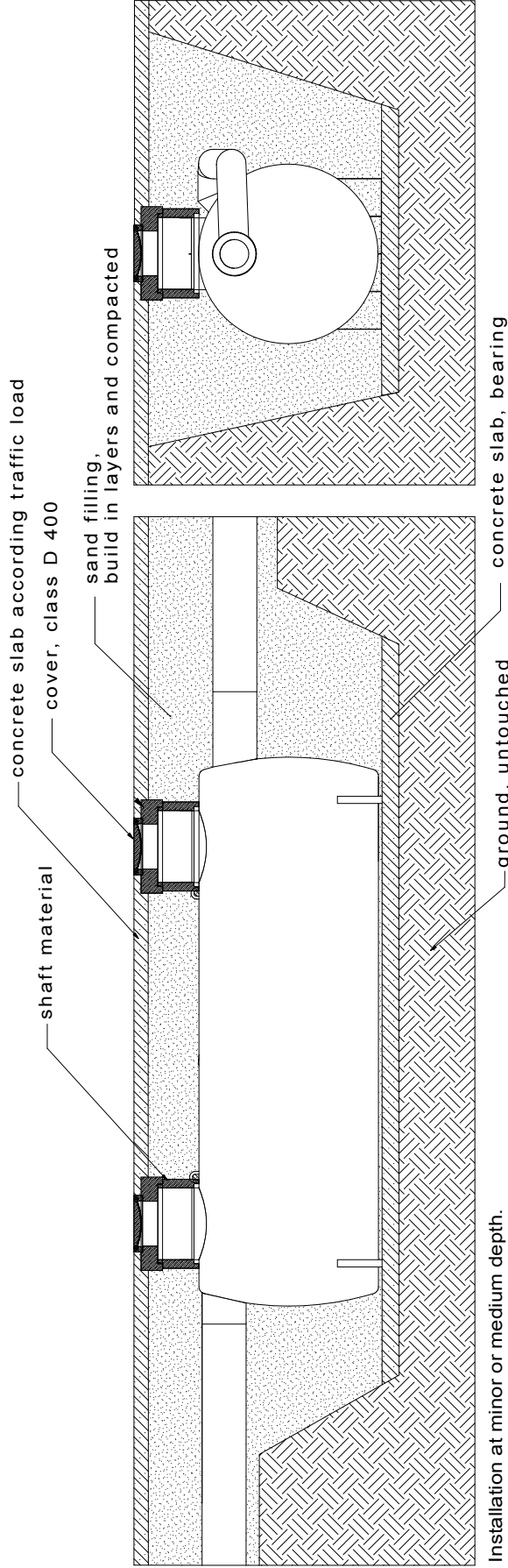
Installation at minor depth.
 Concrete slab on top of separator is used for load yield and buoyancy protection!
 Separator should be filled with water during placement of sand filling continuously.

hauraton		Einbauzeichnung G Kl. D geringe Tiefe englisch	
Erstellt: Coe	070725	AQUAFIX	
gezeichnet: Coe	07.07.25	Hauraton GmbH & Co KG	
CoE	081208	Weikstrasse 13	
		Tel +49 7222 958-0	
		Tel +49 7222 958-100	
		Fax +49 7222 958-100	
		www.hauraton.com	
		mail: export@hauraton.com	

INSTALLATION DRAWING

Installation drawing series G, separator from steel

trafficable areas - loading capacity D 400



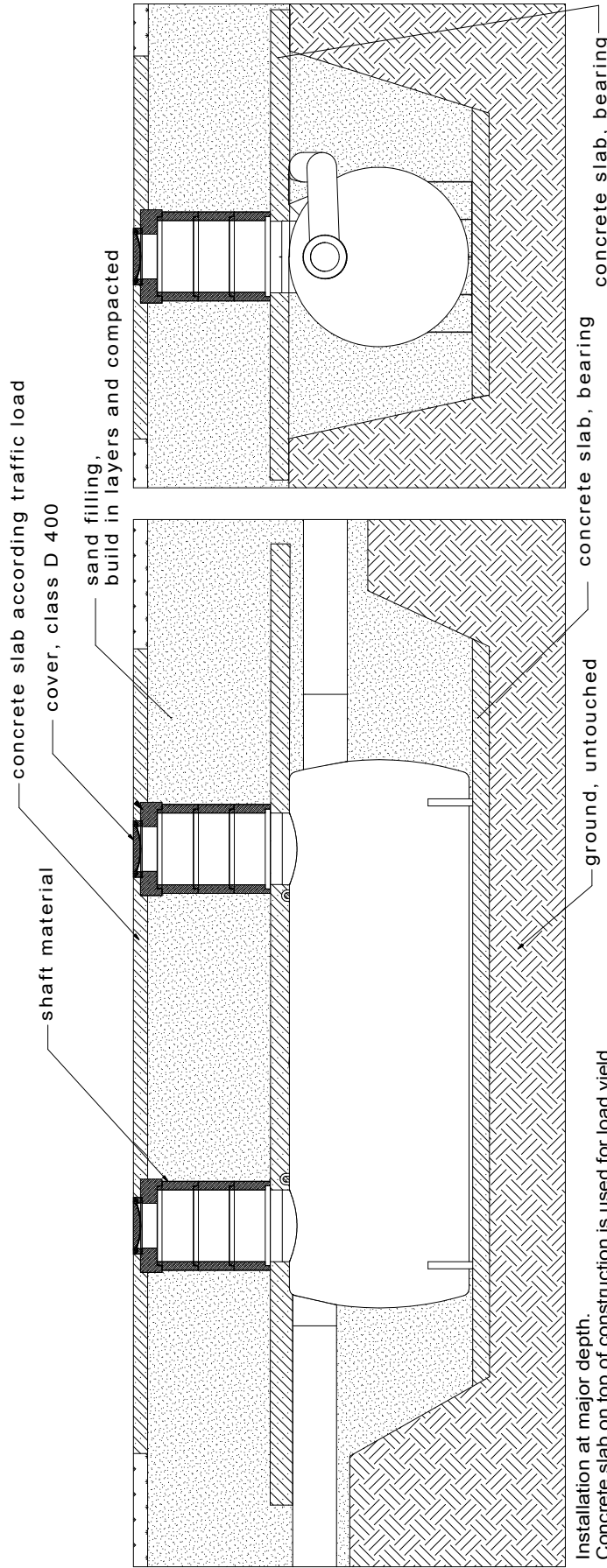
Installation at minor or medium depth.
Concrete slab on top of separator is used for load yield and buoyancy protection!
Separator should be filled with water during placement of sand filling continuously.

hauraton		Einbauzeichnung G Kl. D mittlere Tiefe englisch	
Erstellt: Coe	070725	AQUAFIX	
gezeichnet von:	070725	Hauraton GmbH & Co KG	
CoB	größter	Werkstraße 13	
CoB	081208	D-76437 Rastatt	
		Tel: +49 7222 958-0	
		Fax: +49 7222 958-100	
		www.hauraton.com	
		mail: export@hauraton.com	

INSTALLATION DRAWING

Installation drawing series G, separator from steel

trafficable areas - loading capacity D 400



Installation at major depth.
Concrete slab on top of construction is used for load yield and slab on top of separator is used for buoyancy protection!
Separator should be filled with water during placement of sand filling continuously.

hauraton		Einbauzeichnung G Kl. D große Tiefe englisch	
Erstellt: Coe	070725	AQUAFIX	
gezeichnet durch:	070725	Hauraton GmbH & Co KG	
CoE	081208	Werkstrasse 13	
CoE	081208	D-76437 Hasbachtal	
		Tel. +49 7222 958 100	
		Fax +49 7222 958 100	
		www.hauraton.com	
		mail: export@hauraton.com	

INSTALLATION INSTRUCTIONS	AQUAFIX® „PP“	AQUAFIX® „10 PE“	AQUAFIX® CONCRETE	AQUAFIX® STEEL „k“	AQUAFIX® STEEL „G“
----------------------------------	----------------------	-------------------------	--------------------------	---------------------------	---------------------------

AQUAFIX® SEPARATORS

INSTALLATION INSTRUCTIONS

SEPARATORS SERIES „G“ MADE OF STEEL

OPERATION AND MAINTENANCE OF AQUAFIX® LIGHT LIQUID SEPARATORS SERIES „G“ MADE OF STEEL

□ Before start-up

1. Clean entire system and remove residual mortar, soil etc.
2. Fill sludge trap and separator with fresh water.*

Attention! Always hold float of seal in hand when filling until it can float by itself. Please ensure that water level is same in all chambers of tank, and fill in sequence!

3. Re-check joints of system for leaks.

* Sludge trap in this type of system must be filled with fresh water.

□ Operation

As well as following the maintenance guide, the entire system must comply with the following regulations

- DIN 1986 (estate drainage systems)
- EN 858 (light liquid separators)
- Local drainage regulations and other instructions

Only sewage that does not have a detrimental effect on the intended operation of the separator must be led into the system. Emulsions and solvents (cold cleaners, drilling and cutting oil, water-soluble hydrocarbons etc.) must not be allowed to enter the separator. Dispose of these materials together with the special waste. Rainwater from surfaces for which the separator was not intended and domestic sewage must not be led into the separator.

With coalescence separators: Do not remove coalescence insert during operation!

The use of alarm systems with big steel AQUAFIX® SKG, SKBP, SKGBP2 and SKGBPL separators is strongly recommended because of the large quantity of light liquid that is stored!

□ Disposal

Separator systems must be drained at least every six months, but should not be allowed to fill to more than 85% of their storage capacity. Cleaning must occur more often if the storage capacity of the separator or sludge trap is exceeded. Operation must not be interrupted. All separated material must be drained, cleaned and taken away for disposal by an approved disposal company.

Please empty the separator and the sludge trap of this type of system at the same time if possible.

First extract the oil layer from the system and then the layer of water beneath it, into separate tanks if possible. Clean float and seal every time the system is emptied and check operation thereof.

With coalescence separators: If the coalescence material is soiled, remove coalescence material, clean above sludge trap, give damaged coalescence material to disposal company and replace with new material. Replace coalescence material. The sludge trap has a coalescence chamber access flap for removing the coalescence material. Re-fill system with fresh water whenever it is emptied and cleaned.

Attention! Always hold float of seal by hand until it is floating when filling the system. Use mobile ladder when entering the system. Extract air/vapour mixture beforehand. Take the relevant safety precautions! Follow the accident prevention regulations!

In the event of torrential rainfall, a sudden influx into the separator can occur with large separators. When entering the system, prevent influx and pay attention to personal safety.



□ Maintenance

The separator must be serviced at least every 6 months. The system must be emptied to do this. Carefully check that all system components are in good working order and undamaged. Then fill separator and sludge trap with water*, hold seal open by hand or insert later.

* Sludge trap in this type of system must be filled with fresh water.

It is extremely important to follow the accident prevention regulations! Keep these instructions in a clearly visible location in close proximity to the separator!

Coalescence insert description and maintenance guide

1. Description: The coalescence insert consists of lamellar material that is in the coalescence chamber.
2. Maintenance: The coalescence material must be checked monthly for soiling. If the material is difficult to rinse back, remove material using the clamp in the coalescence chamber that is accessible from the sludge trap and clean. Replace material with new material if necessary. Then close flap again.

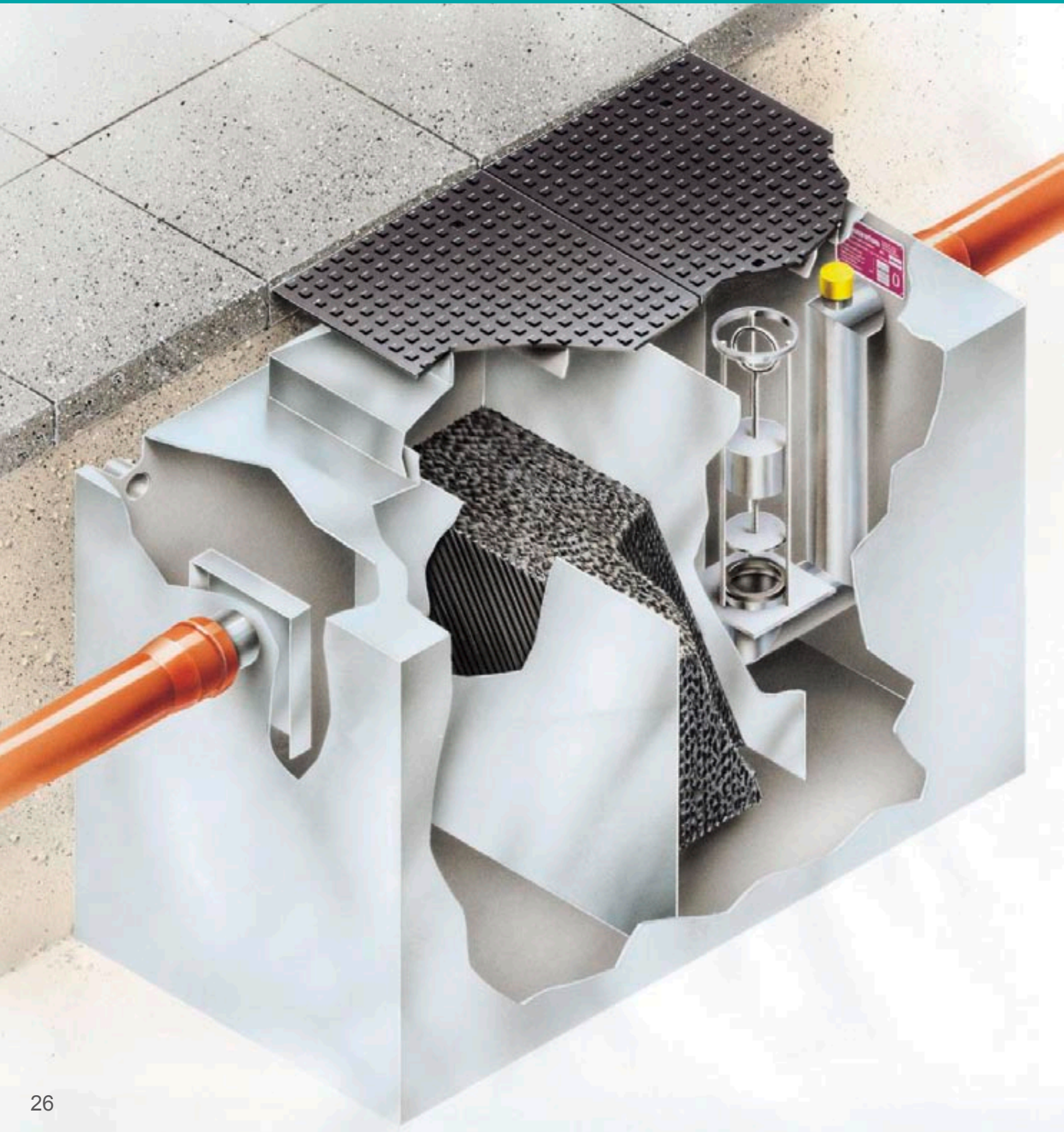
Do not remove coalescence material during operation!

Seal description and maintenance

1. Description: The separator outlet is equipped with a seal. When the float drops into the light liquid layer a sealing washer is pressed against the bottom end of the outlet. When filling the system with fresh water, hold float in an elevated position by hand until it can float by itself.
2. Maintenance: **Important!** The seal must be held in an elevated position by hand by pulling the float until the maximum water level is reached. Do not release float until it is floating in water, therefore releasing the seal!

AQUAFIX® SEPARATORS

SERIES „k“ SMALL MADE OF STEEL
STRONG SOLUTIONS FOR SMALL FLOWS.





AT A GLANCE:

- ✓ At least solid 5 mm steel plates
- ✓ Separator tank, continuously chargeable up to class D 400
- ✓ Galvanised inside and outside or coated with several layers of epoxy resin on pretreated surface

AQUAFIX® SEPARATORS

SERIES „k“ SMALL MADE OF STEEL
STRONG SOLUTIONS FOR SMALL FLOWS.

FEATURES

- At least solid 5 mm steel plate
- Entry and maintenance openings
Size 1: 500 x 630 mm or 500 x 500 mm;
Size 2: 1000 x 630 mm or 1000 x 500 mm
(Measures depending on the place of delivery/country)
- Class B 125 or C 250 extension covers with adjustable height (Loading class depending on the place of delivery/country)
- Stop rings to handle the systems
- Separator tank, continuously chargeable up to class D 400
- Galvanised inside and outside or coated with several layers of epoxy resin on pretreated surface (Coating depending on the place of delivery/country)
- Compact design
- Complies with standards EN 858 and EN 1825
- Inlets and outlets made from 5 mm steel plate, same diameter as KG pipes

For light liquid separation systems:

- Easy to remove as required by the norm
- Easy to clean lamellar coalescence material
- Maintenance-free coalescence block
- Sampling system can be integrated

EXTENSIONS

All models are equipped with 500 x 630 mm and 1000 x 630 mm, or with 500 x 500 mm and 1000 x 500 mm covers. They are 200 mm or 100 mm high and are continuously adjustable by up to 40 mm. They have been designed for class B 125 or C 250. Several units can be stacked on top of each other.

Extension cover 500 x 630 mm (Size 1), Weight: 51 kg total, Height: 200 mm, Class C 250, Article no. 80011,
Extension cover 1000 x 630 mm (Size 2), Weight: 84 kg total, Height: 200 mm, Class C 250, **Item no. 80012 P**

Extension cover 500 x 500 mm (Size 1), Weight: 45 kg total, Height: 100 mm, Class B 125, Article no. 80021,
Extension cover 1000 x 500 mm (Size 2), Weight: 80 kg total, Height: 100 mm, Class B 125, **Item no. 80022 H**



AQUAFIX® STEEL „G“

AQUAFIX® STEEL „K“

AQUAFIX® CONCRETE

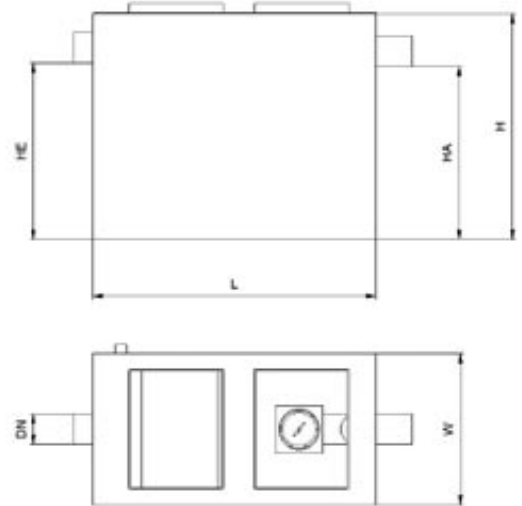
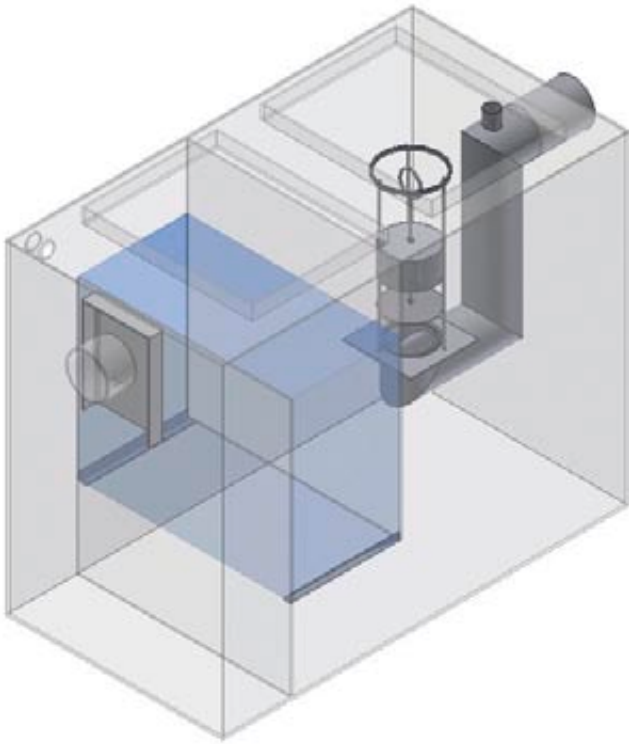
AQUAFIX® „10 PE“

AQUAFIX® „PP“

**INSTALLATION
INSTRUCTIONS**

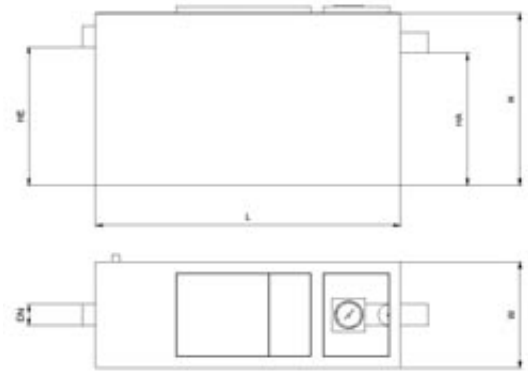
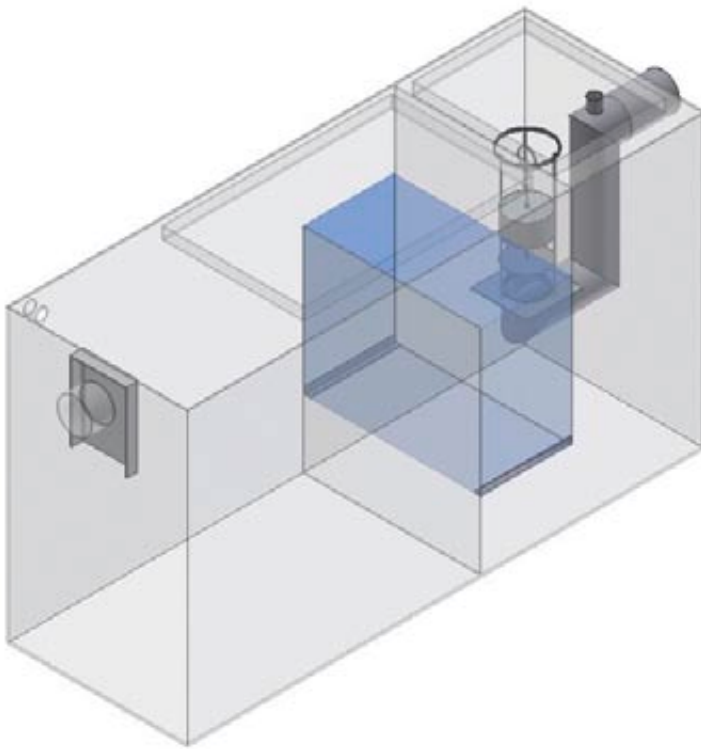
AQUAFIX® Separators from steel - Series k

AQUAFIX® - Kk Coalescence separator



	Length mm	Width mm	Height mm	max. ϕ Flow l/s	Sepe- rator mm	sludge trap capa- city l	sepa- rator capa- city l	DN in-/ outlet mm	HE H inlet mm	HA H outlet mm	Man- hole type 1	Man- hole type 2	Weight mm	storage capa- city l	Item No.
Kk 01,5	1000	600	800	1	-	87	261	100	600	580	1	1	265,0	120	87501
Kk 03	1000	600	1000	3	-	117	351	100	800	780	1	1	339,0	120	87503
Kk 04	1000	800	1000	4	-	156	468	100	800	780	1	1	419,0	160	87504
Kk 06	1200	800	1200	6	-	184	699	150	940	920	2	-	554,0	192	87506
Kk 08	1500	800	1200	8	-	184	920	150	940	920	2	-	664,0	240	87508
Kk 15	1500	1000	1500	15	-	295	1475	200	1200	1180	2	-	1010,0	300	87515
Kk 10	1500	800	1200	10	-	184	920	150	940	920	2	-	664,0	240	87510
Kk 20	1800	1000	1500	20	-	295	1829	200	1200	1180	2	-	1029,0	360	87520

AQUAFIX® - SKk Coalescence separator with sludge trap



	Length mm	Width mm	Height mm	max. ϕ Flow l/s	Sepe- rator mm	sludge trap capa- city l	sepa- rator capa- city l	DN in-/ outlet mm	HE H inlet mm	HA H outlet mm	Man- hole type 1	Man- hole type 2	Weight mm	storage capa- city l	Item No.
--	--------------	-------------	--------------	----------------------------	----------------------	--------------------------------------	--------------------------------------	-------------------------	---------------------	----------------------	------------------------	------------------------	--------------	-------------------------------	-------------

SKk 01,5/0150	1200	600	800	1	-	157	261	100	600	560	1	1	291,0	90	87601
SKk 03/0300	1400	600	1000	3	-	328	328	100	800	750	2	-	363,0	84	87603
SKk 04/0400	1400	800	1000	4	-	406	468	100	800	750	-	1	427,0	120	87604
SKk 06/0600	1800	800	1200	6	-	626	699	150	950	900	-	1	623,0	152	87606
SKk 08/0800	2000	800	1200	8	-	810	662	150	950	900	-	1	699,0	144	87608
SKk 10/1000	2100	800	1300	10	-	1061	734	150	1050	1000	-	1	809,0	144	87610
SKk 15/1500	2300	1100	1600	15	-	1690	1408	200	1300	1250	-	3	1275,0	220	87615
SKk 20/2000	2300	1100	1600	15	-	2253	1830	200	1300	1250	-	3	1371,0	286	87620

AQUAFIX® STEEL „G“

AQUAFIX® STEEL „k“

AQUAFIX® CONCRETE

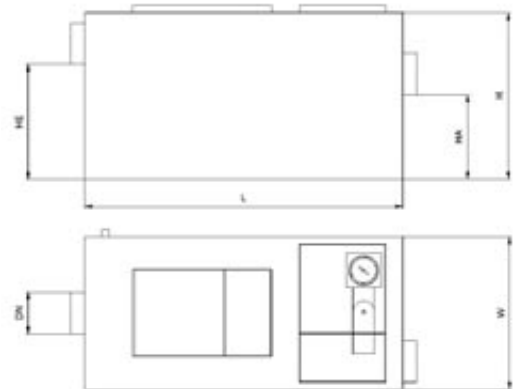
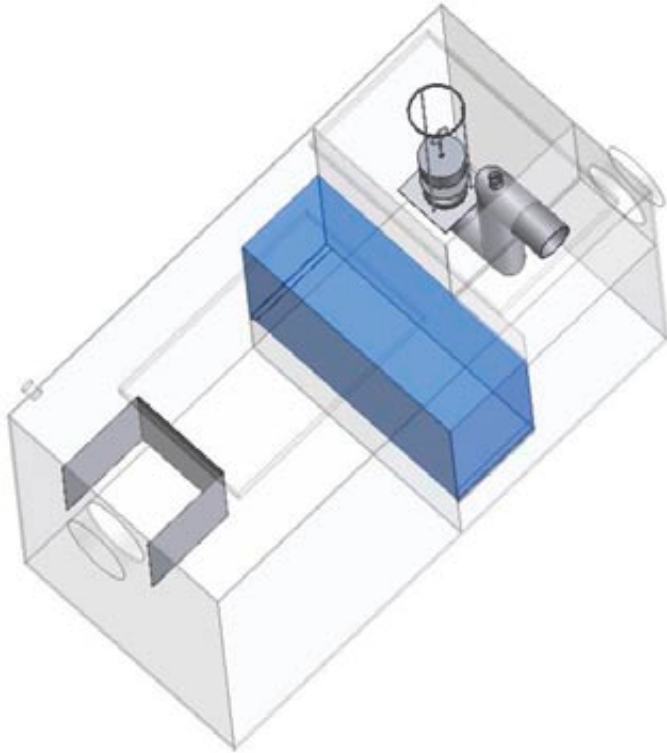
AQUAFIX® „10 PE“

AQUAFIX® „PP“

INSTALLATION
INSTRUCTIONS

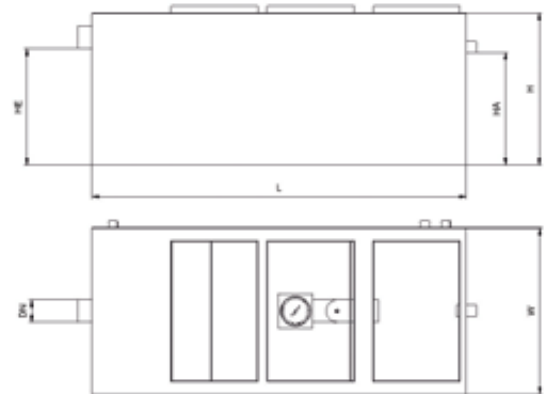
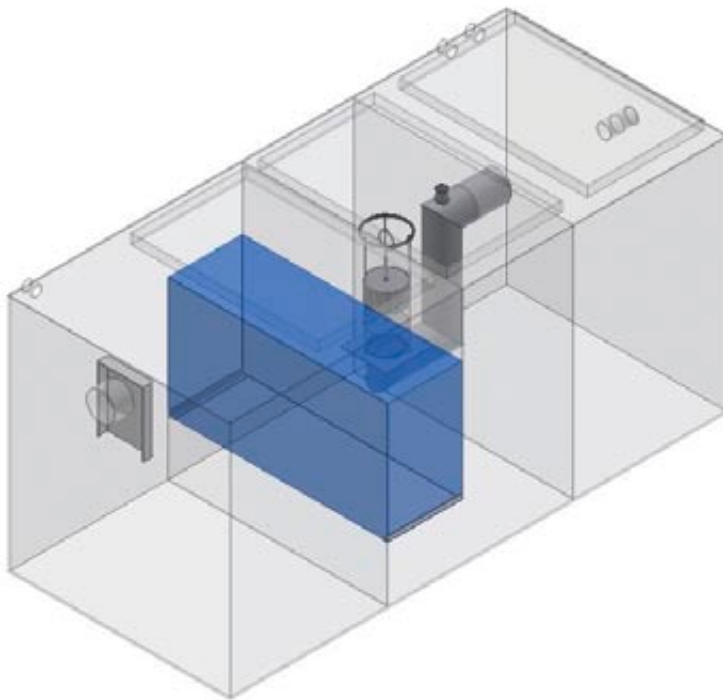
AQUAFIX® Separators from steel - Series k

AQUAFIX® - SKBPk Coalescence separator with sludge trap and bypass



	Length mm	Width mm	Height mm	max. \varnothing Flow l/s	Sepe- rator mm	sludge trap capa- city l	sepa- rator capa- city l	DN in-/ outlet mm	HE H inlet mm	HA H outlet mm	Man- hole type 1	Man- hole type 2	Weight mm	storage capa- city l	Item No.
SKBPk 03/0300	1200	800	1200	15	-	384	426	150	980	760	2	-	498,0	112	87803
SKBPk 04/0400	1500	800	1200	20	-	473	483	200	930	710	2	-	563,0	136	87804
SKBPk 06/0600	1900	1000	1300	30	-	859	851	200	1030	810	-	2	804,0	210	87806
SKBPk 08/0800	2300	1100	1200	40	-	891	872	300	830	610	-	2	916,0	286	87808
SKBPk 10/1000	2300	1100	1400	50	-	1333	980	300	1030	810	-	2	1073,0	242	87810
SKBPk 15/1500	2500	1200	1800	75	-	1886	1732	400	1330	1110	-	2	1560,0	312	87815
SKBPk 20/2000	2900	1200	1800	100	-	2201	1998	400	1330	1110	-	3	1657,0	360	87820

AQUAFIX® - SKmPk Coalescence separator with sludge trap and pump chamber



	Length mm	Width mm	Height mm	max. \varnothing Flow l/s	Sepe- rator mm	sludge trap capa- city l	sepa- rator capa- city l	DN in-/ outlet mm	HE H inlet mm	HA H outlet mm	Man- hole type 1	Man- hole type 2	Weight mm	storage capa- city l	Item No.
--	--------------	-------------	--------------	-----------------------------------	----------------------	--------------------------------------	--------------------------------------	-------------------------	---------------------	----------------------	------------------------	------------------------	--------------	-------------------------------	-------------

SKmPk 01,5/0150	2200	600	800	1	-	157	296	100	600	570	3	-	396,0	102	87701
SKmPk 03/0300	1800	800	1000	3	-	312	437	100	800	770	3	-	492,0	112	87703
SKmPk 04/0400	2400	800	1000	4	-	406	562	100	800	770	3	-	574,0	144	87704
SKmPk 06/0600	2200	1100	1200	6	-	607	1012	150	950	920	-	2	950,0	220	87706
SKmPk 08/0800	2700	1200	1100	8	-	836	984	150	850	820	-	3	1111,0	240	87708
SKmPk 10/1000	2700	1200	1300	10	-	1040	1224	150	1050	1020	-	3	1220,0	240	87710
SKmPk 15/1500	3100	1200	1600	15	-	1536	1690	200	1300	1270	-	3	1633,0	264	87715
SKmPk 20/2000	3100	1400	1600	20	-	2253	1971	200	1300	1270	-	3	1766,0	308	87720

AQUAFIX® STEEL „G“

AQUAFIX® STEEL „K“

AQUAFIX® CONCRETE

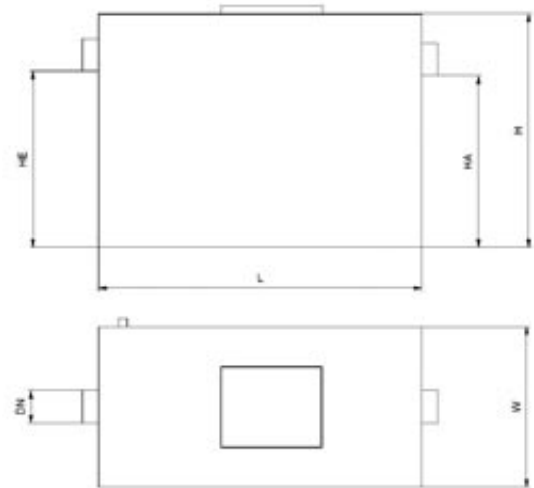
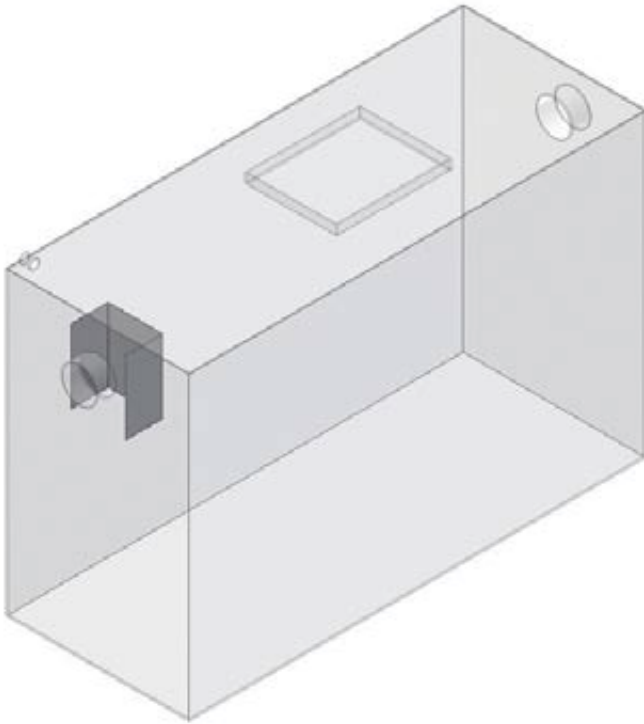
AQUAFIX® „10 PE“

AQUAFIX® „PP“

INSTALLATION
INSTRUCTIONS

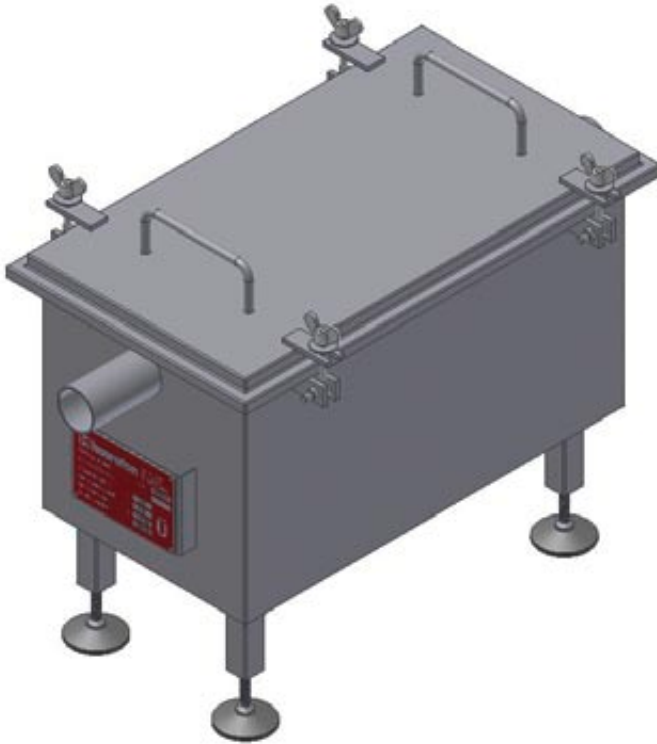
AQUAFIX® Separators from steel - Series k

AQUAFIX® - Sk Sludge trap



	Length mm	Width mm	Height mm	max. \varnothing Sepe- rator Flow l/s	Sepe- rator mm	sludge trap capa- city l	sepa- rator capa- city l	DN in-/ outlet mm	HE H inlet mm	HA H outlet mm	Man- hole type 1	Man- hole type 2	Weight kg	storage capa- city l	Item No.
Sk 100	800	500	600	-	-	100	-	100	350	320	1	-	94,0	-	87000
Sk 150	800	600	600	-	-	150	-	100	350	320	1	-	104,0	-	87001
Sk 200	800	600	700	-	-	200	-	100	450	420	1	-	117,0	-	87002

AQUAFIX® - Grease separator with sludge trap - freestanding overground installation



	Length mm	Width mm	Height mm	max. ϕ Flow l/s	Sepe- rator mm	sludge trap capa- city l	sepa- rator capa- city l	DN in-/ outlet mm	HE H inlet mm	HA H outlet mm	Man- hole type 1	Man- hole type 2	Weight kg	storage capa- city l	Item No.
GB 1	760	415	560	1	-	11	22	50	325	290	-	-	27,0	11	77050
NS 01	950	450	642	1	-	100	96	70	500	470	-	-	70,0	37	77100
NS 02	1650	640	1000	2	-	200	-	100	770	700	-	-	225,0	172	77200

AQUAFIX® STEEL „G“

AQUAFIX® STEEL „k“

AQUAFIX® CONCRETE

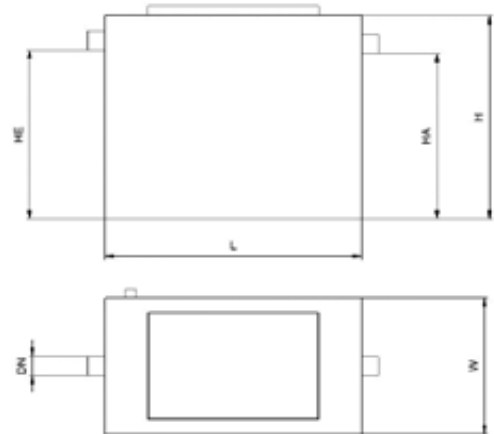
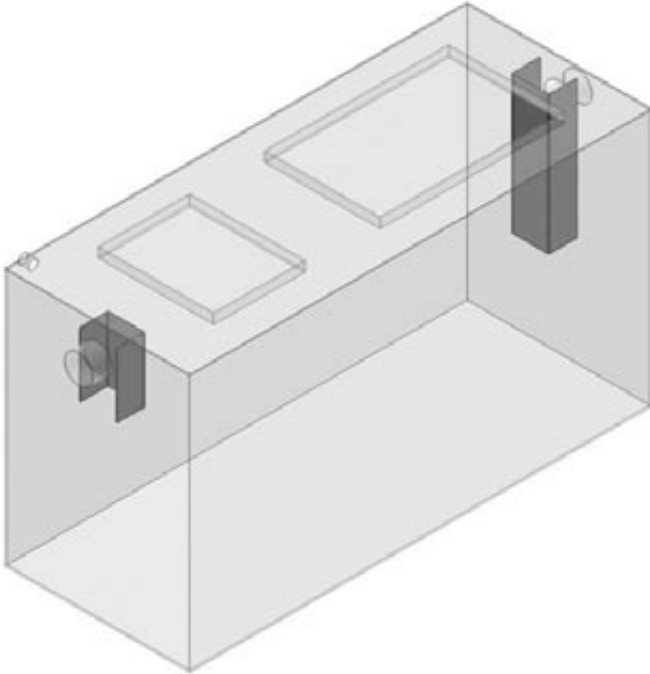
AQUAFIX® „10 PE“

AQUAFIX® „PP“

INSTALLATION
INSTRUCTIONS

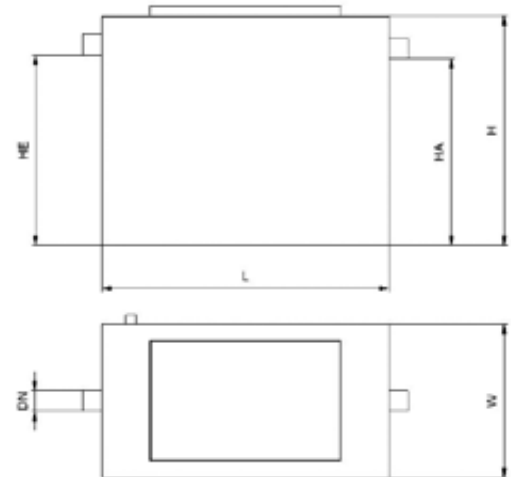
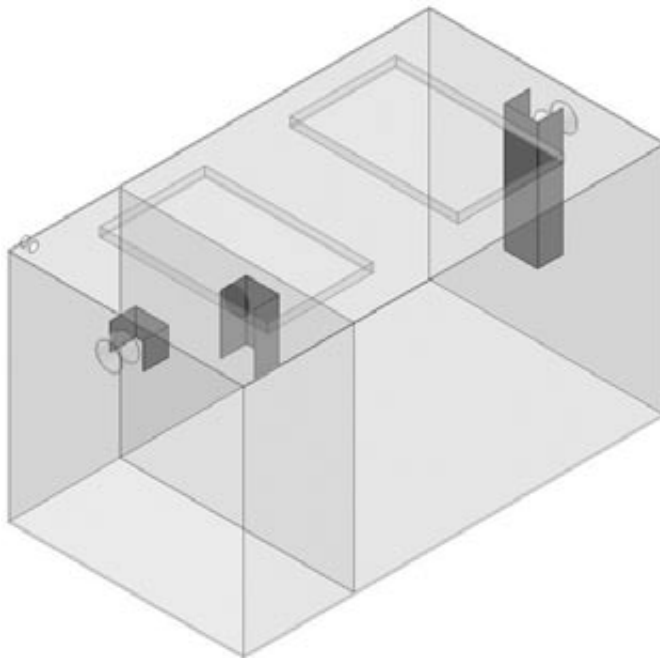
AQUAFIX® Separators from steel - Series k

AQUAFIX® - Fk Grease separator



	Length mm	Width mm	Height mm	max. \emptyset Sepe- rator Flow l/s	Sepe- rator mm	sludge trap capa- city l	sepa- rator capa- city l	DN in-/ outlet mm	HE H inlet mm	HA H outlet mm	Man- hole 1	Man- hole 2	Weight kg	storage capa- city l	Item No.
Fk 01	1000	500	1000	1	-	-	390	100	800	780	1	-	171,0	100	87101
Fk 02	1200	800	1000	2	-	-	749	100	800	780	1	-	242,0	192	87102
Fk 04	1500	800	1200	4	-	-	1176	100	1000	980	-	1	324,0	240	87104
Fk 07	1800	1000	1200	7	-	-	1674	150	950	930	-	1	416,0	360	87107
Fk 10	2500	1000	1400	10	-	-	2825	150	1150	1130	1	1	597,0	500	87110
Fk 15	3200	1200	1400	15	-	-	4147	200	1100	1080	-	2	609,0	768	87115
Fk 20	3200	1600	1500	20	-	-	6042	200	1200	1180	-	2	953,0	1024	87120
Fk 25	4000	1600	1500	25	-	-	7552	200	1200	1180	-	2	1133,0	1280	87125

AQUAFIX® - SFk Grease separator with sludge trap



	Length mm	Width mm	Height mm	max. \varnothing Flow l/s	Sepe- rator mm	sludge trap capa- city l	sepa- rator capa- city l	DN in-/ outlet mm	HE H inlet mm	HA H outlet mm	Man- hole 1	Man- hole 2	Weight kg	storage capa- city l	Item No.
SFk 01/0100	1000	500	1000	1	-	113	256	100	800	730	1	-	194,0	70	87201
SFk 02/0200	1200	800	1000	2	-	240	467	100	800	730	-	1	277,0	128	87202
SFk 04/0400	1500	1000	1200	4	-	475	930	100	1000	930	-	1	418,0	200	87204
SFk 07/0700	2400	1000	1400	7	-	715	1890	150	1150	1080	1	1	644,0	350	87207
SFk 10/1000	2500	1400	1400	10	-	1001	2797	150	1150	1080	-	2	793,0	518	87210
SFk 15/1500	3200	1600	1500	15	-	1564	4249	200	1100	1030	-	2	1063,0	752	87215
SFk 20/2000	4000	1800	1500	20	-	2277	5899	200	1200	1130	-	2	1325,0	1044	87220
SFk 25/2500	5000	1800	1500	25	-	2588	7628	200	1200	1130	-	2	1567,0	1350	87225

AQUAFIX® STEEL „G“

AQUAFIX® STEEL „K“

AQUAFIX® CONCRETE

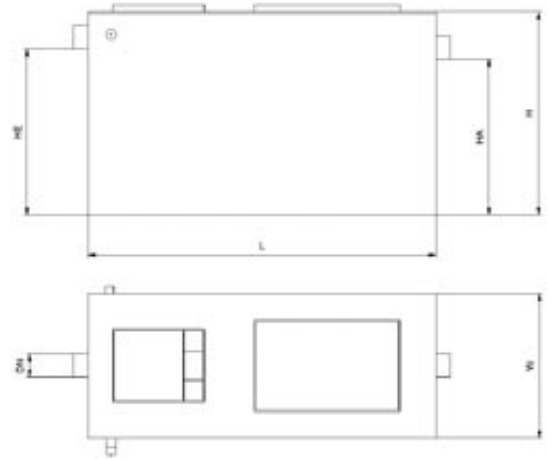
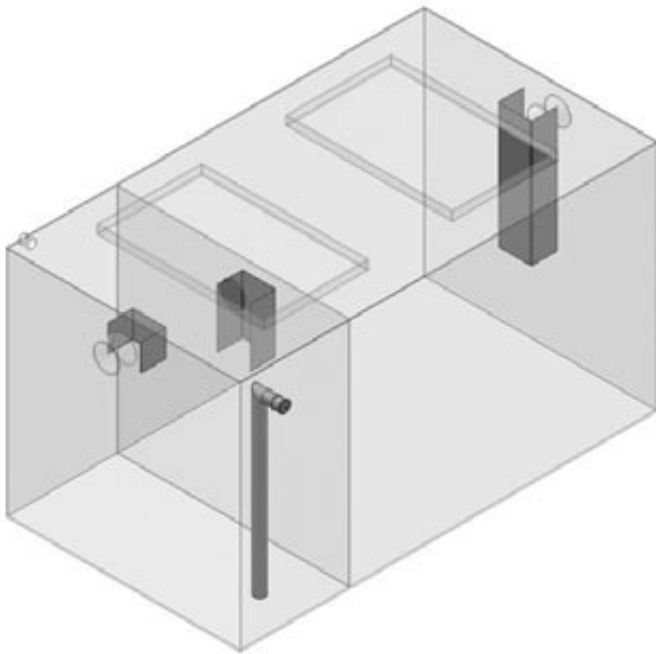
AQUAFIX® „10 PE“

AQUAFIX® „PP“

INSTALLATION
INSTRUCTIONS

AQUAFIX® Separators from steel - Series k

AQUAFIX® - SFmEk Grease separator with sludge trap and disposal pipe



	Length mm	Width mm	Height mm	max. ϕ Sepe- rator Flow l/s	Sepe- rator mm	sludge trap capa- city l	sepa- rator capa- city l	DN in-/ outlet mm	HE H inlet mm	HA H outlet mm	Man- hole 1	Man- hole 2	Weight kg	storage capa- city l	Item No.
SFmEk 01/0100	1000	500	1000	1	-	113	256	100	800	730	1	-	196,0	70	87301
SFmEk 02/0200	1200	800	1000	2	-	240	467	100	800	730	-	1	279,0	128	87302
SFmEk 04/0400	1500	1000	1200	4	-	475	930	100	1000	930	-	1	420,0	200	87304
SFmEk 07/0700	2400	1000	1400	7	-	715	1890	150	1150	1080	1	1	646,0	350	87307
SFmEk 10/1000	2500	1400	1400	10	-	1001	2797	150	1150	1080	1	1	795,0	518	87310
SFmEk 15/1500	3200	1600	1500	15	-	1564	4249	200	1200	1130	-	2	1065,0	752	87315
SFmEk 20/2000	4000	1800	1500	20	-	2277	5899	200	1200	1130	-	2	1330,0	1044	87320
SFmEk 25/2500	5000	1800	1500	25	-	2588	7628	200	1200	1130	-	2	1572,0	1350	87325

AQUAFIX® STEEL „G“

AQUAFIX® STEEL „K“

AQUAFIX® CONCRETE

AQUAFIX® „10 PE“

AQUAFIX® „PP“

**INSTALLATION
INSTRUCTIONS**

AQUAFIX® SEPARATORS

INSTALLATION INSTRUCTIONS

SEPARATORS SERIES „k“ MADE OF STEEL

INSTALLATION ADVISES FOR AQUAFIX® SEPARATORS SERIES „k“ MADE OF STEEL

1. Please check completeness of delivery and immediately note any parts that are missing or were damaged in transit on the delivery note. Complaints received at a later date will not be accepted. Otherwise our general business terms and conditions apply.
2. The separator should be installed outside the washing areas where it will not overflow or back up. It must also be as close as possible to the source of the sewage, in the open but protected from the frost and easy to access by cleaning vehicles.
3. The excavation base must be level. If no suitable soil is available a 10 mm thick compressed bed of sand or small pebbles can be used. A foundation plate would be even better. If the foundation soil is non-supporting, make a statically dimensioned foundation plate.
4. Take thickness of base and correction layer into consideration in height calculations. Pay attention to height information in installation drawing.
5. Tank must be installed in a level position.
6. The material must be level as it flows through the separator. The inlet and outlet must be correctly aligned.
7. Install system with top edge higher than last inlet point.
8. Attach buoyancy protector if necessary and anchor it in the foundation plate.
9. Pipelines must be connected without leaks.
10. After correctly aligning all tanks, tops, covers and connecting pipes, clean the system!
11. Before filling up the system, fill all tanks with fresh water and check for leaks. The leak test is mandatory!
12. Do not modify tank or pipes again after filling with sand and compressing. Please refer to provided installation drawing.
13. Attach concrete plate to provide buoyancy protection if necessary.
14. With liquid separation systems: When filling with fresh water, hold float in raised position by hand until it is able to float independently. Report start-up to relevant authority.

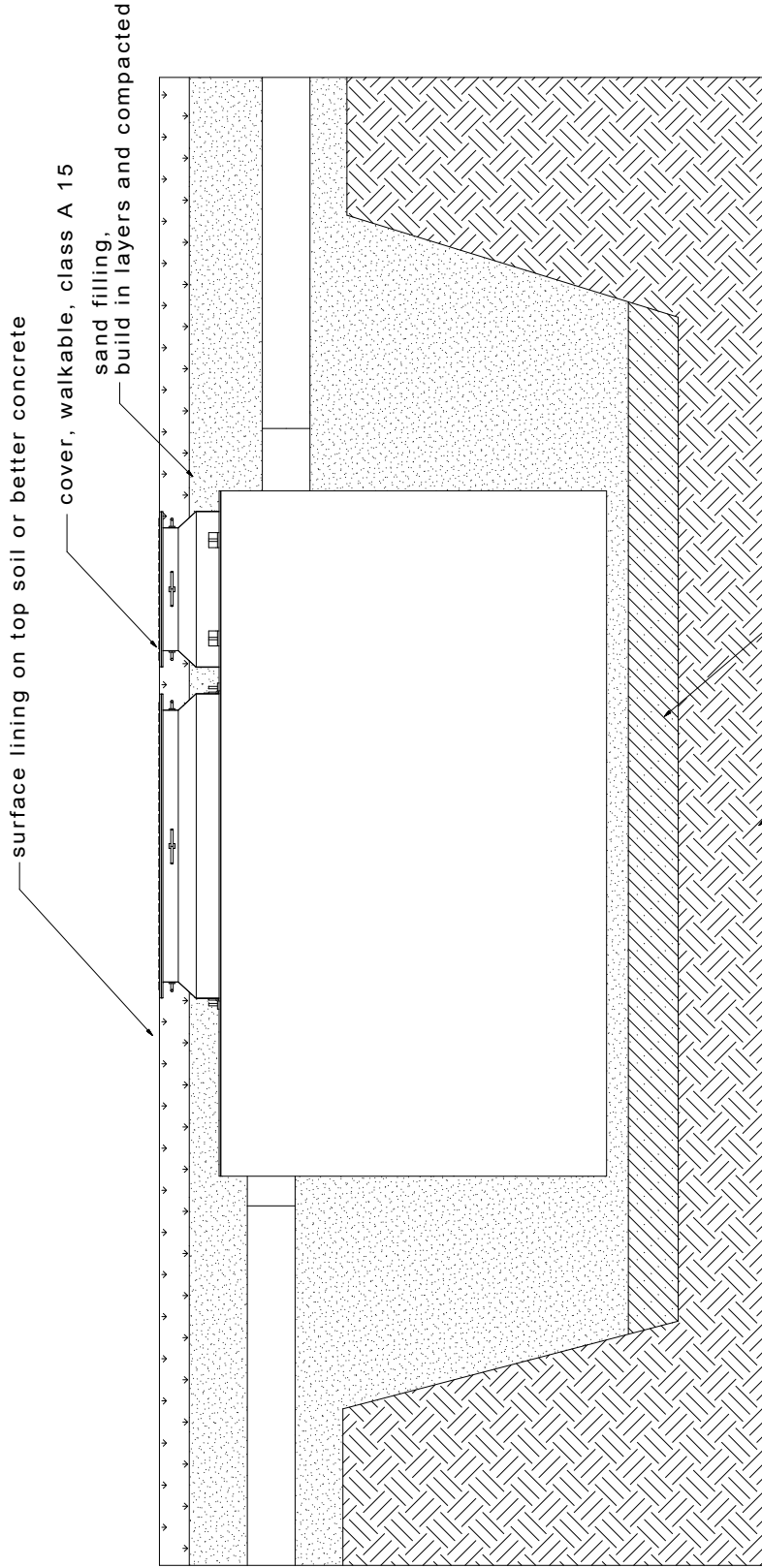
Always follow accident prevention regulations during installation!

The inlet and outlet must not be the wrong way around!
Use the correct gradient! Recommended total gradient of system must be 2 - 5%!

INSTALLATION DRAWING

Installation drawing series k, small separator from steel

walkable areas - loading capacity A 15



Installation at minor depth.
Separator is not protected against buoyancy!
Separator should be filled with water during placement of sand filling continuously.

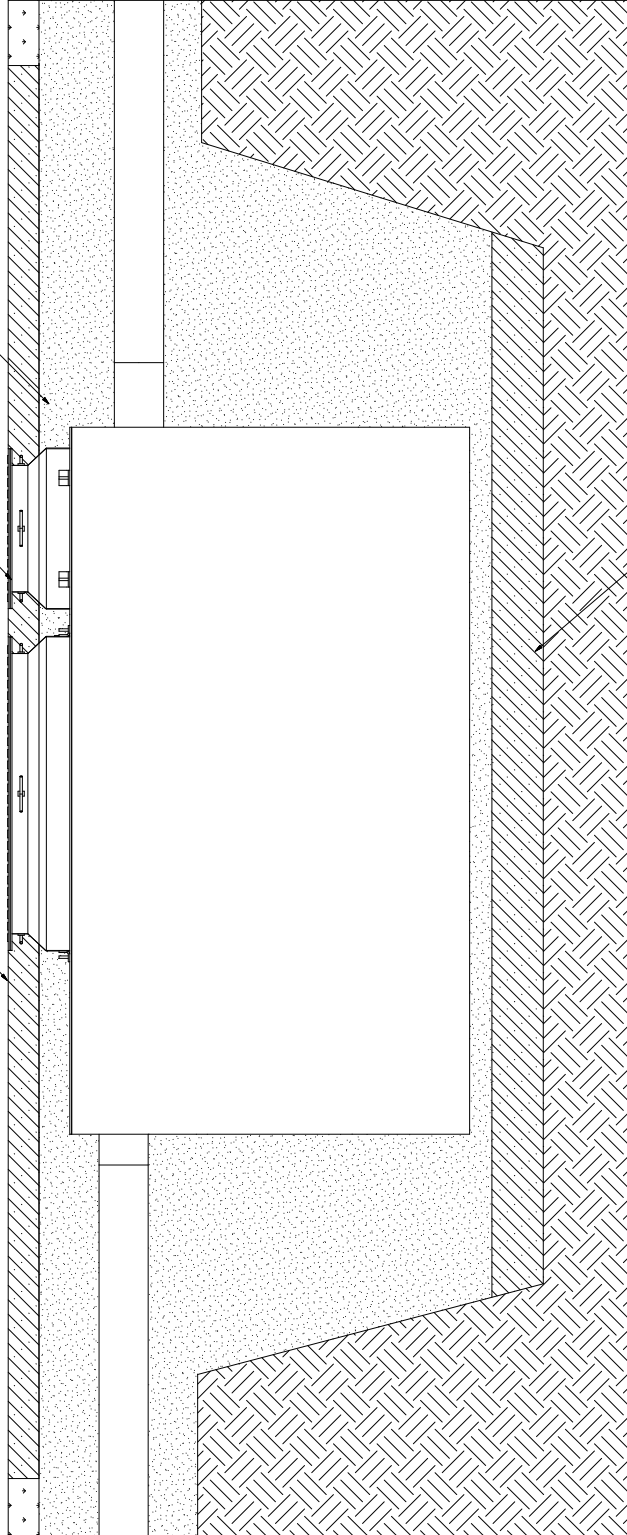
hauraton		Einbauzeichnung k Kl. A geringe Tiefe englisch	
Erstellt: Coe	070725	AQUAFIX	
gezeichnet: Coe	070725	Hauraton GmbH & Co KG	
CoE	081208	Werktstraße 13	
		D-76437 Haslach	
		Tel: +49 7222 958-0	
		Fax: +49 7222 958-100	
		www.hauraton.com	
		mail: export@hauraton.com	

INSTALLATION DRAWING

Installation drawing series k, small separator from steel

trafficable areas - loading capacity D 400

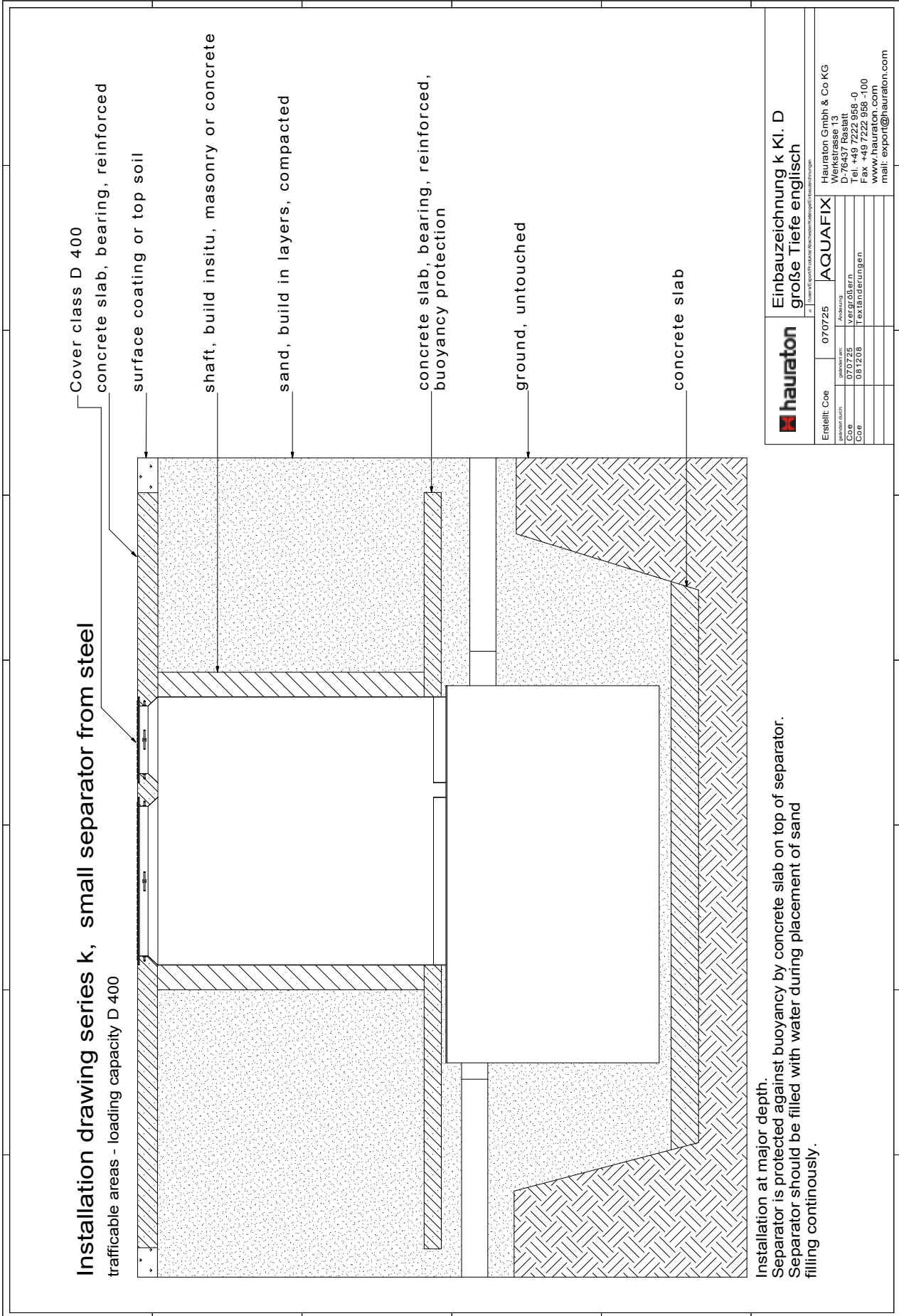
concrete slab, bearing, reinforced, buoyancy protection
 cover, class D 400
 sand filling, build in layers and compacted



Installation at minor or medium depth.
 Separator is protected against buoyancy by concrete slab on top.
 Separator should be filled with water during placement of sand filling continuously.

	Einbauzeichnung k Kl. D geringe bis mittlere Tiefe englisch
	<p>Hauraton GmbH & Co KG Weikstrasse 13 72222 958-0 Tel +49 7222 958-0 Fax +49 7222 958-100 www.hauraton.com mail: export@hauraton.com</p>
Erstellt: Coe gezeichnet durch: 07.07.25 Code: 081208 Coe	070725 AQUAFIX Anbauung vergrößern Textänderungen

INSTALLATION DRAWING



AQUAFIX® SEPARATORS

INSTALLATION INSTRUCTIONS

SEPARATORS SERIES „k“ MADE OF STEEL

OPERATION AND MAINTENANCE OF AQUAFIX® LIGHT LIQUID SEPARATORS SERIES „k“ MADE OF STEEL

□ Before start-up

1. Clean entire system and remove residual mortar, soil etc.
2. Fill sludge trap and separator with fresh water.*

Attention! Always hold float of seal in hand when filling until it can float by itself. Please ensure that water level is same in all chambers of tank, and fill in sequence!

3. Re-check joints of system for leaks.

* Sludge trap in this type of system must be filled with fresh water.

□ Operation

As well as following the maintenance guide, the entire system must comply with the following regulations

- DIN 1986 (estate drainage systems)
- EN 858 (light liquid separators)
- Local drainage regulations and other instructions

Only sewage that does not have a detrimental effect on the intended operation of the separator must be led into the system. Emulsions and solvents (cold cleaners, drilling and cutting oil, water-soluble hydrocarbons etc.) must not be allowed to enter the separator. Dispose of these materials together with the special waste. Rainwater from surfaces for which the separator was not intended and domestic sewage must not be led into the separator. With coalescence separators: Do not remove coalescence insert during operation!



Seal description and maintenance

1. Description: The separator outlet is equipped with a seal. When the float drops into the light liquid layer a sealing washer is pressed against the bottom end of the outlet. When filling the system with fresh water, hold float in an elevated position by hand until it can float by itself.
2. Maintenance: **Important!** The seal must be held in an elevated position by hand by pulling the float until the maximum water level is reached. Do not release float until it is floating in water, therefore releasing the seal!

Keep these instructions in close proximity to the separator!

□ Disposal

Separator must be drained at least every six months, but should not be allowed to fill to more than 85% of its storage capacity. Cleaning must occur more often if the storage capacity of the separator or sludge trap is exceeded. Operation must not be interrupted. All separated material must be drained, cleaned and taken away for disposal by an approved disposal company.

Please empty the separator and the sludge trap of this type of system at the same time if possible.

First extract the oil layer from the system and then the layer of water beneath it, into separate tanks if possible. Clean float and seal every time the system is emptied and check operation thereof.

With coalescence separators: If the coalescence material is soiled, remove coalescence material, clean above sludge trap, give damaged coalescence material to disposal company and replace with new material. Replace coalescence material. Re-fill system with fresh water whenever it is emptied and cleaned.

Attention! Always hold float of seal by hand until it is floating when filling the system. Use mobile ladder when entering the system. Extract air/vapour mixture beforehand. Take the relevant safety precautions! Follow the accident prevention regulations!



□ Maintenance

Separator must be serviced at least every 6 months. System must be emptied to do this. Carefully check that all system components are in good working order and undamaged. Then fill separator and sludge trap with water*, hold seal open by hand or insert later.

* Sludge trap of this type of system must be filled with fresh water.

It is extremely important to follow the accident prevention regulations! Keep these instructions in close proximity to the separator!

Coalescence insert description and maintenance guide

1. Description: The coalescence insert consists of lamellar material that is in the coalescence chamber.
2. Maintenance The coalescence material must be checked monthly for soiling. If it cannot be rinsed back easily it must be removed and cleaned. Replace material with new material if necessary. Do not remove coalescence material during operation!

OPERATION AND MAINTENANCE OF STEEL AQUAFIX GREASE SEPARATORS

□ Before start-up

Clean entire system and remove any residual mortar, soil etc. if necessary. Fill entire system with fresh water. Check joints of system for leaks.

□ Operation

As well as the maintenance guide, the following instructions must be followed for the entire system:

- DIN 4040 (grease separation systems)
 - DIN 1986 (estate drainage systems)
 - Local water removal regulations and other instructions
- Only sewage that does not have a detrimental effect on the intended operation of the separator must be led to the separator. It is particularly important to prevent domestic sewage and light mineral liquids from entering the separator. Do not allow rainwater to enter the system.
- Keep these instructions in close proximity to the separator!**

□ Disposal

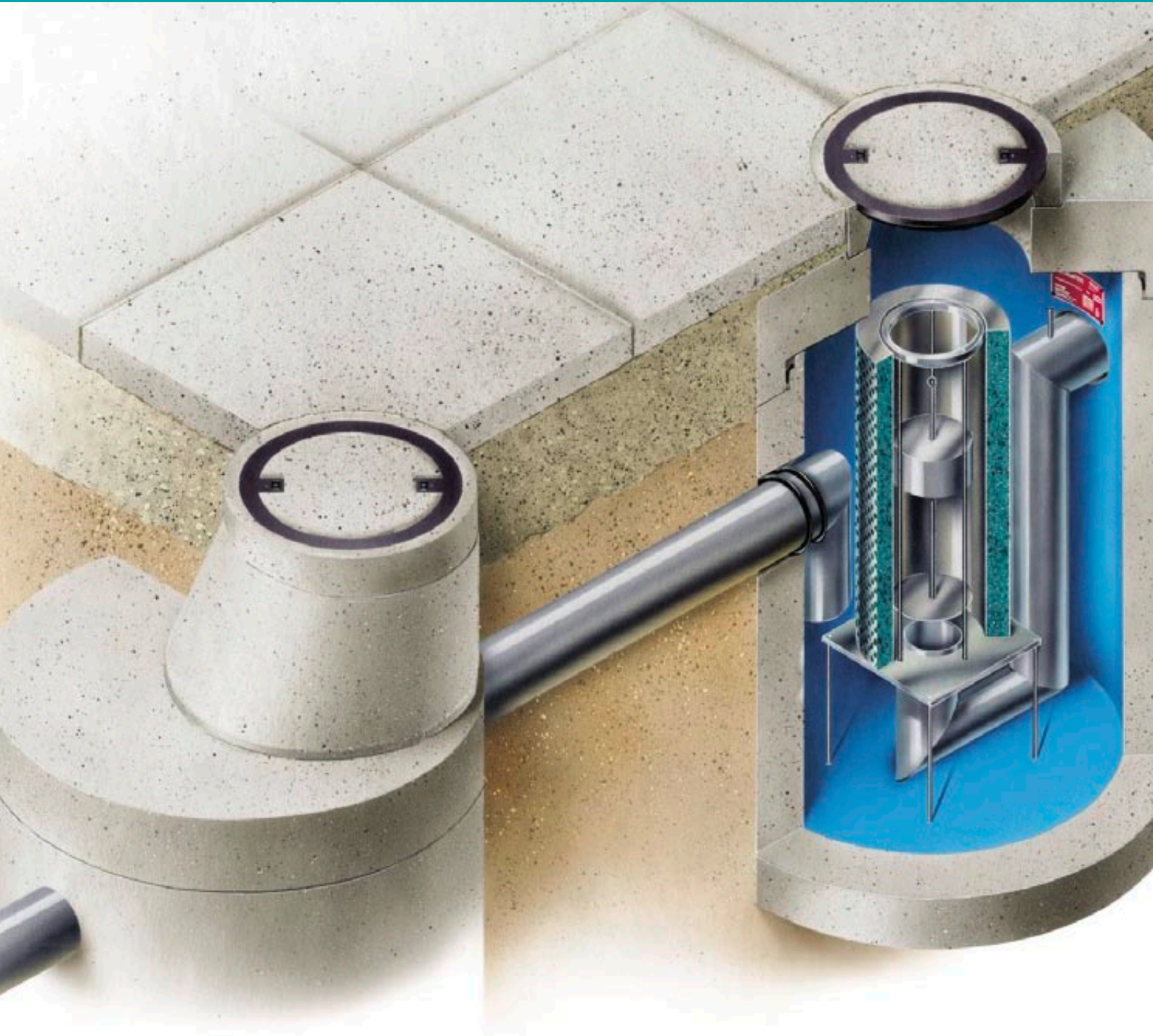
1. Grease separators must be cleaned at least once per month, possibly more frequently. Cleaning must take place more frequently if the separator or sludge trap storage capacity is exceeded. The operation of the separator must not be affected.
2. Have all separated material drained, cleaned and taken away by an approved disposal company.
3. Fill entire system with fresh water after it has been emptied and drained.
4. Use mobile ladders when entering the system. Extract vapour/air mixture beforehand. Pay attention to accident prevention regulations!

□ Maintenance

The separator must be serviced at least once per month. The system must be drained and cleaned in order to do this. Carefully check that all system components are in good working order and undamaged. Then refill system with fresh water. It is extremely important to observe the accident prevention regulations!

AQUAFIX® SEPARATORS

SERIES MADE OF CONCRETE
SOLID CONSTRUCTIONS FOR HEAVY DUTY.





AT A GLANCE:

- ✓ High quality concrete
- ✓ Strong wall thickness
- ✓ Conforms to standards - even down to the details

AQUAFIX[®] SEPARATORS

SERIES MADE OF CONCRETE

SOLID CONSTRUCTIONS FOR HEAVY DUTY.

FEATURES

- high grade reinforced concrete C35/45 in accordance with Eurocode EC 206, DIN 1045 and 4281, wall thickness at least 120 mm
- coating consisting of three layers of epoxy resin resistant to light liquids and fatty acids
- conform to European standards EN 858 and 1825



AQUAFIX® STEEL „G“

AQUAFIX® STEEL „K“

AQUAFIX® CONCRETE

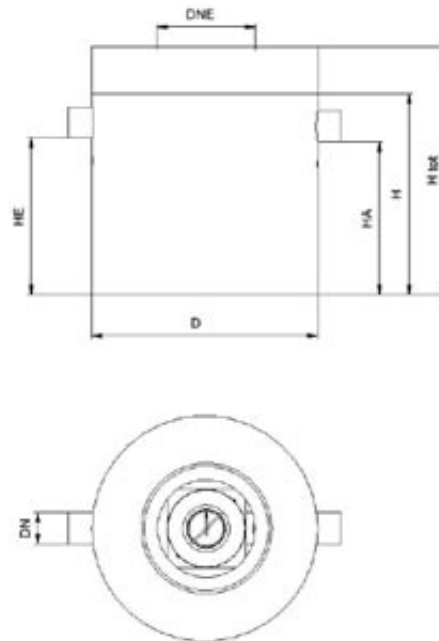
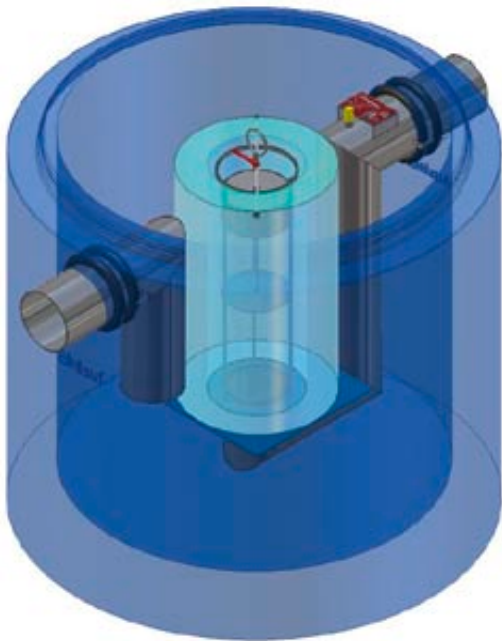
AQUAFIX® „10 PE“

AQUAFIX® „PP“

**INSTALLATION
INSTRUCTIONS**

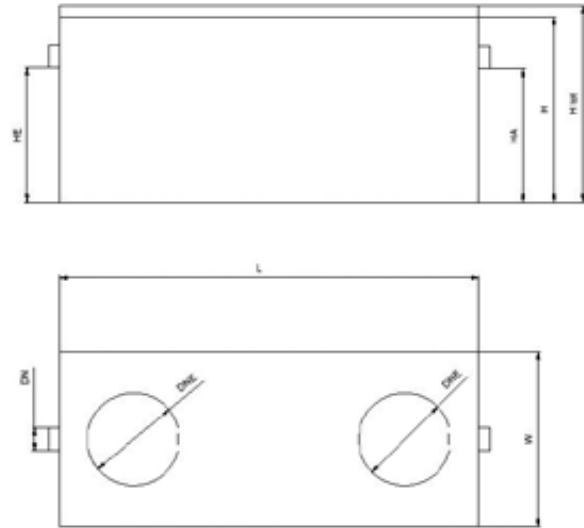
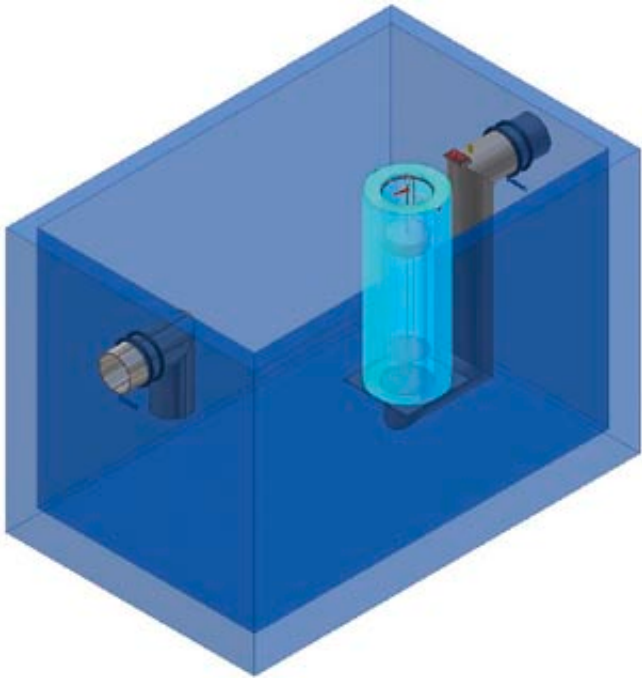
AQUAFIX® Separators from concrete - Series P

AQUAFIX® - K Coalescence separator



	Length mm	Width mm	Height mm	max. \varnothing Flow l/s	Seperator mm	sludge trap capacity l	seperator capacity l	DN in-/ outlet mm	HE H inlet mm	HA H outlet mm	DNE man- hole 1	DNE man- hole 2	Weight kg	storage capacity l	Item No.
K 03	1300	1300	1085	3	1000	-	530	110	900	875	625	-	2160,0	154	103030P
K 06	1300	1300	1085	6	1000	-	530	110	900	875	625	-	2160,0	154	103060P
K 10	1300	1300	1085	10	1000	-	530	150	845	820	625	-	2160,0	162	103100P
K 15	1500	1500	1285	15	1200	-	930	200	1000	975	625	-	3360,0	246	103150P
K 20	1800	1800	1285	20	1500	-	1450	200	1000	975	625	-	4470,0	332	103200P
K 30	2300	2300	1535	30	2000	-	3220	250	1200	1175	800	-	7360,0	628	103300P
K 40	2740	2740	2035	40	2500	-	7480	250	1675	1650	800	-	10200,0	996	103400P
K 50	2740	2740	2035	50	2500	-	8460	250	1900	1875	800	-	10300,0	986	103500P

AQUAFIX® - K Coalescence separator - rectangular shape



	Length mm	Width mm	Height mm	max. ϕ Flow l/s	Sepe- rator mm	sludge trap capa- city l	sepa- rator capa- city l	DN in-/ outlet mm	HE H inlet mm	HA H outlet mm	DNE man- hole 1	DNE man- hole 2	Weight kg	storage capa- city l	Item No.
--	--------------	-------------	--------------	----------------------------	----------------------	--------------------------------------	--------------------------------------	-------------------------	---------------------	----------------------	-----------------------	-----------------------	--------------	-------------------------------	-------------

K 060 rectangular	3660	2360	2500	60	-	-	11075	300	1820	1800	1000	1000	17421,0	2075	178060
K 080 rectangular	4910	2360	2500	80	-	-	15005	300	1820	1800	1000	1000	22112,0	2850	178080
K 100 rectangular	5660	2360	2500	100	-	-	17446	300	1820	1800	1000	1000	24926,0	3314	178100

AQUAFIX® STEEL „G“

AQUAFIX® STEEL „K“

AQUAFIX® CONCRETE

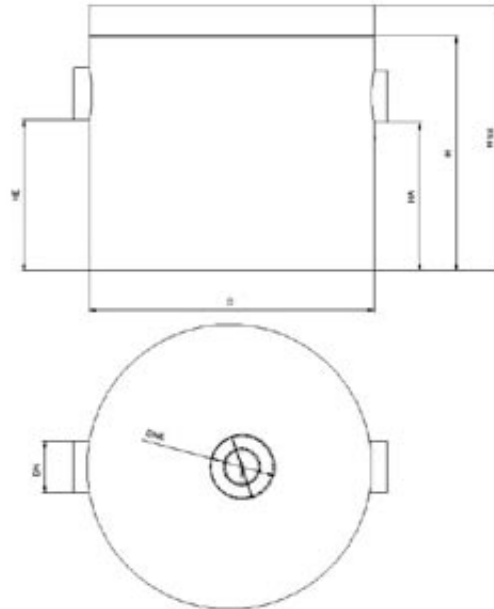
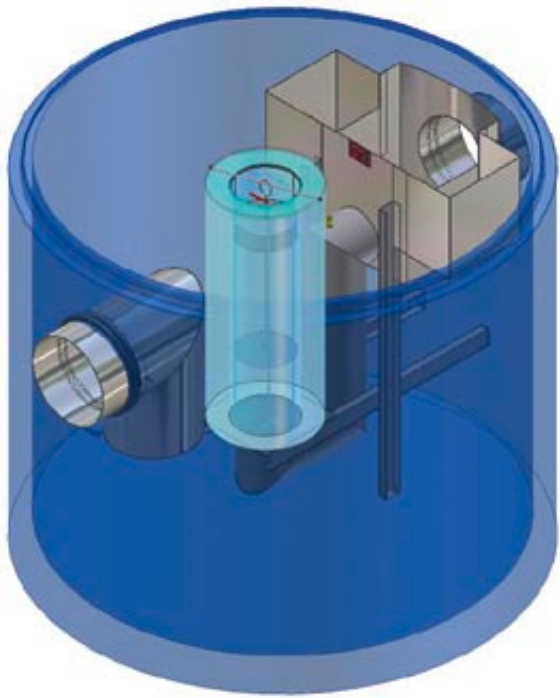
AQUAFIX® „10 PE“

AQUAFIX® „PP“

INSTALLATION
INSTRUCTIONS

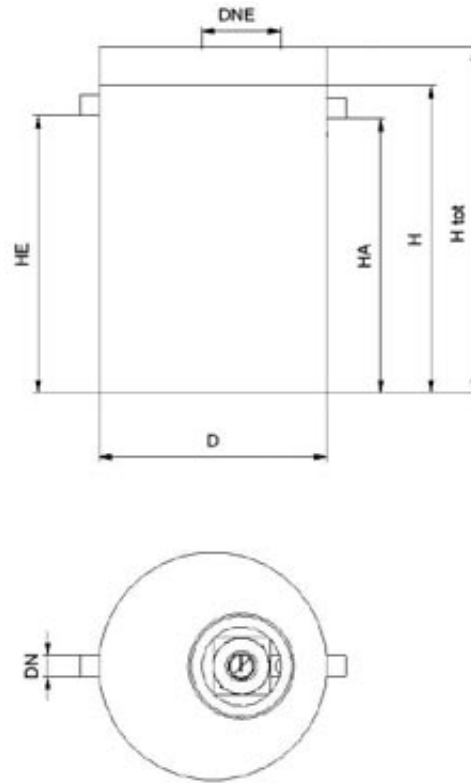
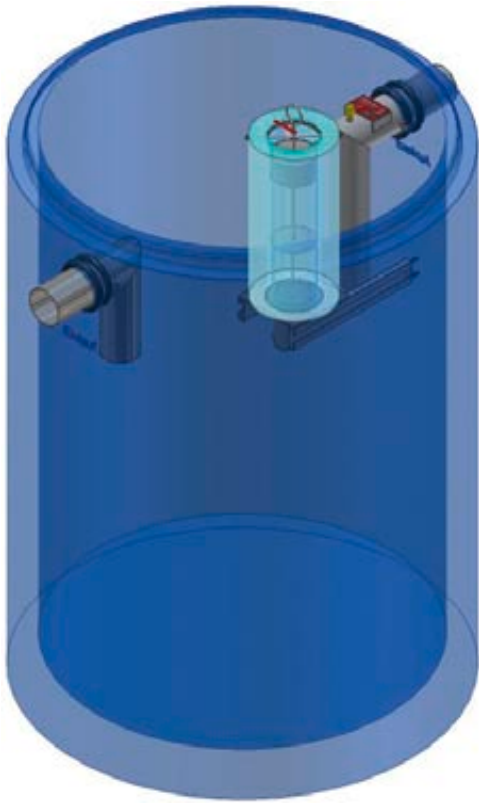
AQUAFIX® Separators from concrete - Series P

AQUAFIX® - K2BP Coalescence separator with double-bypass



	Length mm	Width mm	Height mm	max. \varnothing Flow l/s	Sepe- rator mm	sludge trap capa- city l	sepa- rator capa- city l	DN in-/ outlet mm	HE H inlet mm	HA H outlet mm	DNE man- hole 1	DNE man- hole 2	Weight kg	storage capa- city l	Item No.
K2BP 20/0200	2740	2740	2000	200	2500	-	5450	500	1430	1275	625	-	7100,0	1227	174020P
K2BP 40/0400	2740	2740	2250	400	2500	-	6185	600	1600	1425	625	-	7200,0	1227	174040P
K2BP 60/0600	2740	2740	2500	600	2500	-	6920	800	1750	1575	625	-	7900,0	1227	174060P

AQUAFIX® - SK Coalescence separator with sludge trap



	Length mm	Width mm	Height mm	max. \varnothing Flow l/s	Sepe- rator mm	sludge trap capa- city l	sepa- rator capa- city l	DN in-/ outlet mm	HE H inlet mm	HA H outlet mm	DNE man- hole 1	DNE man- hole 2	Weight kg	storage capa- city l	Item No.
--	--------------	-------------	--------------	-----------------------------------	----------------------	--------------------------------------	--------------------------------------	-------------------------	---------------------	----------------------	-----------------------	-----------------------	--------------	-------------------------------	-------------

SK 04/0600	1300	1300	2000	4	1000	628	608	150	1720	1695	625	-	2850,0	132	176043
SK 06-10/2500	1800	1800	2500	10	1500	2473	1104	150	2195	2170	625	-	5380,0	364	176105
SK 06-10/5000	2740	2740	2200	10	2500	4906	3557	150	1895	1870	625	-	7830,0	1011	176107
SK 15/3000	2740	2740	2200	15	2500	2944	5029	200	1875	1800	625	-	7450,0	1011	176155
SK 15/5000	2740	2740	2500	15	2500	4906	4538	200	2125	2100	625	-	9410,0	1011	176157
SK 20/4000	2740	2740	2500	20	2500	3925	5520	200	2125	2100	625	-	9410,0	1070	176204
SK 30/5000	2740	2740	2200	30	2500	2944	5029	250	1800	1775	800	-	6688,0	1079	176305
SK 40/4000	2740	2740	2750	40	2500	3925	6746	250	2350	2325	800	-	7368,0	1104	176406
SK 50/3000	2740	2740	2750	50	2500	2944	7727	250	2350	2325	800	-	7376,0	1128	176505

AQUAFIX® STEEL „G“

AQUAFIX® STEEL „K“

AQUAFIX® CONCRETE

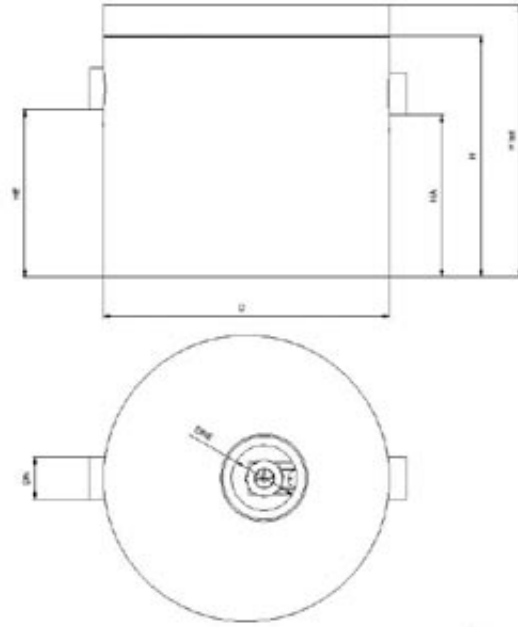
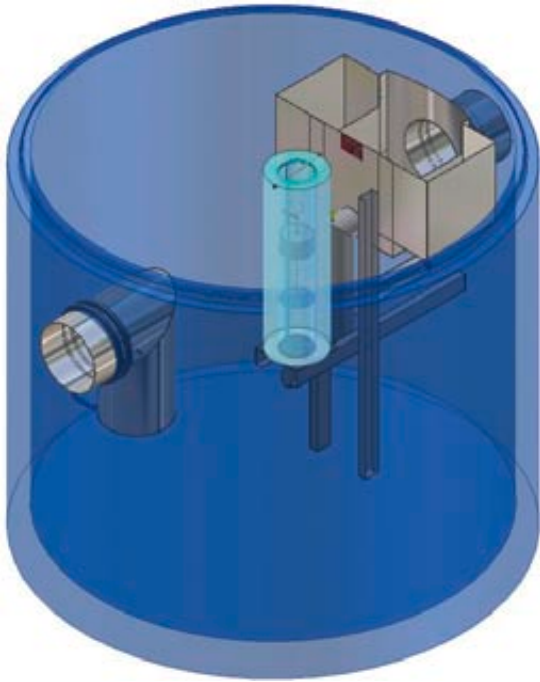
AQUAFIX® „10 PE“

AQUAFIX® „PP“

INSTALLATION
INSTRUCTIONS

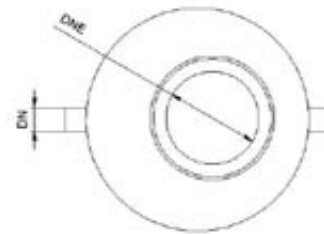
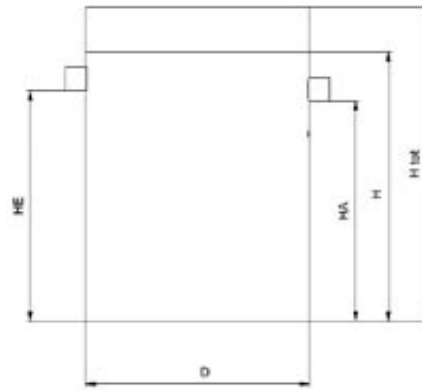
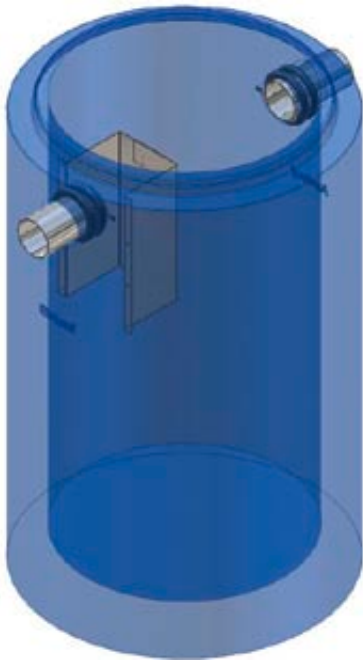
AQUAFIX® Separators from concrete - Series P

AQUAFIX® - SK2BP Coalescence separator with sludge trap and double-bypass



	Length mm	Width mm	Height mm	max. ϕ Flow l/s	Sepe- rator mm	sludge trap capa- city l	sepa- rator capa- city l	DN in-/ outlet mm	HE H inlet mm	HA H outlet mm	DNE man- hole 1	DNE man- hole 2	Weight kg	storage capa- city l	Item No.
S2KBP 10/0100	2740	2740	2540	100	2500	3300	3595	400	1625	1550	625	-	7200,0	1011	175010P
SK2BP 15/0150	2740	2740	2735	150	2500	3300	4540	400	1870	1750	625	-	7900,0	1227	175015P

AQUAFIX® - S Sludge trap



	Length mm	Width mm	Height mm	max. ϕ Flow l/s	Sepe- rator mm	sludge trap capa- city l	sepa- rator capa- city l	DN in-/ outlet mm	HE mm	H mm	HA mm	H mm	DNE man- hole 1	DNE man- hole 2	Weight kg	storage capa- city l	Item No.
--	--------------	-------------	--------------	----------------------------	----------------------	--------------------------------------	--------------------------------------	-------------------------	----------	---------	----------	---------	-----------------------	-----------------------	--------------	-------------------------------	-------------

S 0650/03	1300	1300	1550	-	1000	650	-	100	1275	1225	-	-	-	-	2610,0	-	101043P
S 1300/03	1500	1500	1625	-	1200	1300	-	100	1350	1300	-	-	-	-	3350,0	-	101064P
S 2500/10	1800	1800	1920	-	1500	2500	-	150	1620	1570	-	-	-	-	4940,0	-	101105P
S 3500/10	2300	2300	1500	-	2000	3500	-	150	1200	1150	-	-	-	-	5860,0	-	101106P
S 5000/10	2500	2500	2000	-	2000	5000	-	150	1700	1650	-	-	-	-	7830,0	-	101107P
S 7500/10	2800	2800	2170	-	2500	7500	-	150	1870	1820	-	-	-	-	9930,0	-	101108P
S 10000/10	2800	2800	2800	-	2500	10000	-	150	2500	2450	-	-	-	-	11890,0	-	101109P
S 2500/20	1800	1800	1920	-	1500	2500	-	200	1570	1520	-	-	-	-	4940,0	-	101205P
S 5000/20	2500	2500	2000	-	2000	5000	-	200	1650	1600	-	-	-	-	7830,0	-	101207P
S 8000/20	2800	2800	2250	-	2500	8000	-	200	1900	1850	-	-	-	-	9930,0	-	101208P
S 10000/20	2800	2800	2750	-	2500	10000	-	200	2400	2350	-	-	-	-	11890,0	-	101209P
S 5000/30	2500	2500	2000	-	2000	5000	-	250	1600	1550	-	-	-	-	5290,0	-	101307P
S 7500/30	2800	2800	2170	-	2500	7500	-	250	1770	1720	-	-	-	-	9930,0	-	101308P
S 10000/30	2800	2800	2800	-	2500	10000	-	250	2400	2350	-	-	-	-	11890,0	-	101309P

AQUAFIX® STEEL „G“

AQUAFIX® STEEL „k“

AQUAFIX® CONCRETE

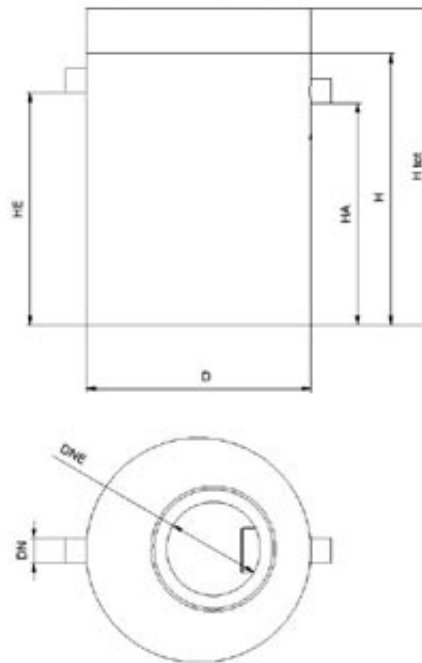
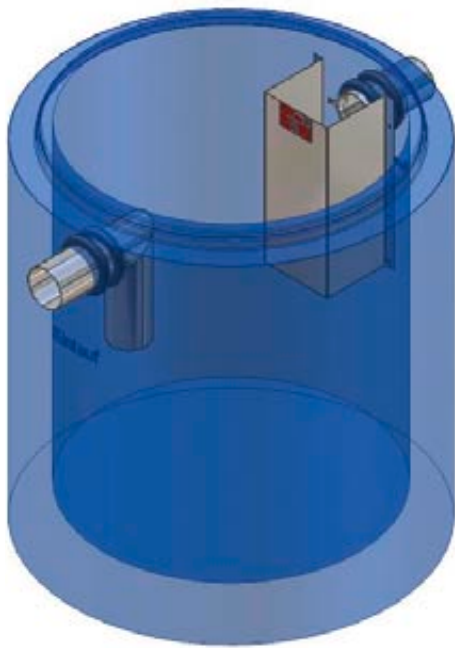
AQUAFIX® „10 PE“

AQUAFIX® „PP“

INSTALLATION
INSTRUCTIONS

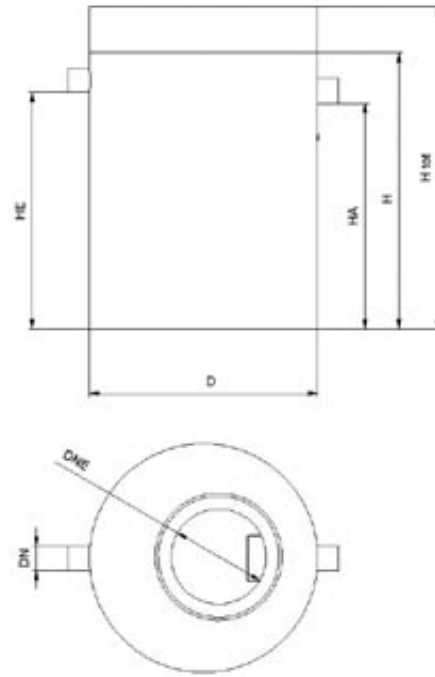
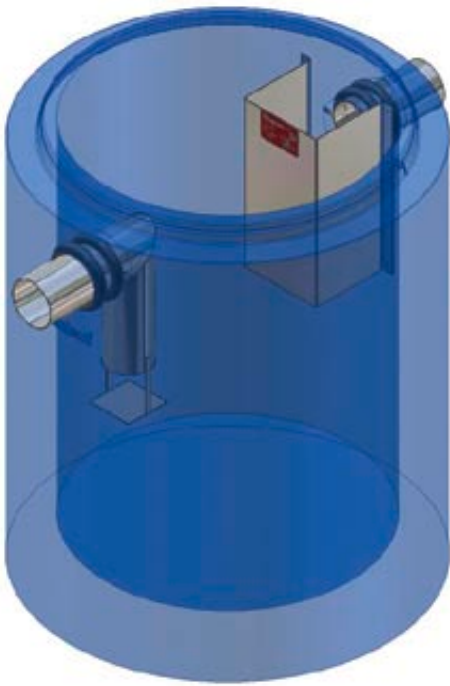
AQUAFIX® Separators from concrete - Series P

AQUAFIX® - F Grease separator



	Length mm	Width mm	Height mm	max. \varnothing Flow l/s	Seperator mm	sludge trap capacity l	seperator capacity l	DN in-/ outlet mm	HE inlet mm	H outlet mm	HA outlet mm	DNE man- hole 1	DNE man- hole 2	Weight kg	storage capa- city l	Item No.
F 04	1500	1500	1560	4	1200	-	1300	150	1375	1350	-	-	-	2620,0	238	108040
F 07	1800	1800	1560	7	1500	-	1811	150	1200	1175	-	-	-	4125,0	397	108070
F 10	2300	2300	1360	10	2000	-	2592	150	1270	1245	-	-	-	5370,0	741	108100
F 15/20	2740	2500	1800	20	2500	-	6259	200	1450	1425	-	-	-	8765,0	1139	108150

AQUAFIX® - SF Grease separator with sludge trap



	Length mm	Width mm	Height mm	max. ϕ Flow l/s	Sepe- rator mm	sludge trap capa- city l	sepa- rator capa- city l	DN in-/ outlet mm	HE H inlet mm	HA H outlet mm	DNE man- hole 1	DNE man- hole 2	Weight kg	storage capa- city l	Item No.
--	--------------	-------------	--------------	----------------------------	----------------------	--------------------------------------	--------------------------------------	-------------------------	---------------------	----------------------	-----------------------	-----------------------	--------------	-------------------------------	-------------

SF 04/0400	1300	1300	1500	4	1000	400	385	150	1220	1195	625	-	1696,0	157	178042
SF 04/0800	1300	1300	2000	4	1000	800	385	150	1730	1705	625	-	2012,0	157	178043
SF 10/1000	1800	1800	1700	10	1500	1007	1096	150	1420	1395	625	-	3201,0	353	178104
SK 10/2000	1800	1800	2300	10	1500	2015	1096	150	2030	2005	625	-	3757,0	353	178105
SF 20/2000	2300	2300	2000	20	2000	2010	2262	200	1650	1625	625	-	5291,0	628	178205

AQUAFIX® STEEL „G“

AQUAFIX® STEEL „K“

AQUAFIX® CONCRETE

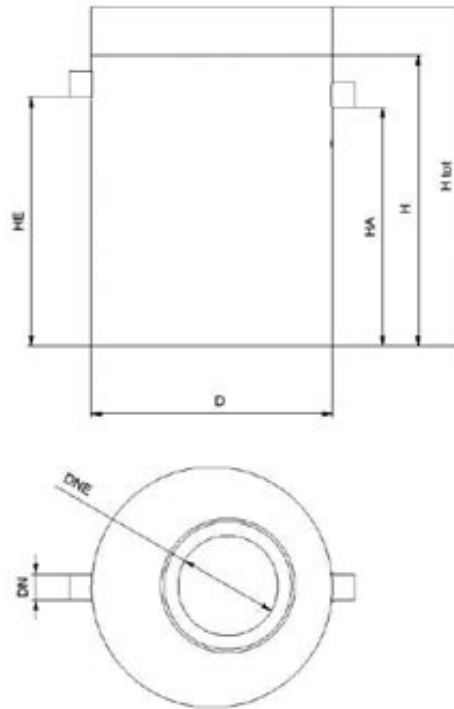
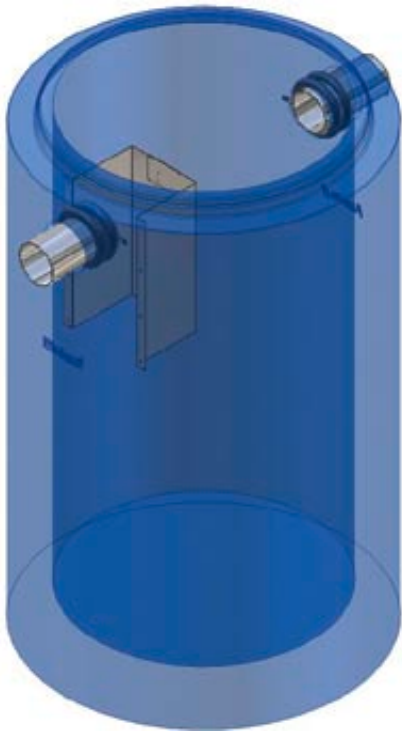
AQUAFIX® „10 PE“

AQUAFIX® „PP“

INSTALLATION
INSTRUCTIONS

AQUAFIX® Separators from concrete - Series P

AQUAFIX® - Sf Sludge trap for grease



	Length mm	Width mm	Height mm	max. \varnothing Flow l/s	Sepe- rator mm	sludge trap capa- city l	sepa- rator capa- city l	DN in-/ outlet mm	HE H inlet mm	HA H outlet mm	DNE man- hole 1	DNE man- hole 2	Weight kg	storage capa- city l	Item No.
Sf 800 l for F 04	1300	1300	1550	4	1000	800	-	150	1250	1200	-	-	1678,0	-	107043P
Sf 700 l for F 07	1300	1300	1550	7	1000	700	-	150	1250	1200	-	-	1678,0	-	107073P
Sf 1400 l for F 07	1500	1500	1625	7	1200	1400	-	150	1325	1275	-	-	2219,0	-	107074P
Sf 2500 l for F 10	1800	1800	1920	10	1500	2500	-	150	1620	1570	-	-	3336,0	-	107104P
Sf 2500 l for F 20	1800	1800	1920	20	1500	2500	-	200	1570	1520	-	-	3336,0	-	107205P

1

AQUAFIX® STEEL „G“

AQUAFIX® STEEL „K“

AQUAFIX® CONCRETE

AQUAFIX® „10 PE“

AQUAFIX® „PP“

**INSTALLATION
INSTRUCTIONS**

AQUAFIX® SEPARATORS

INSTALLATION INSTRUCTIONS

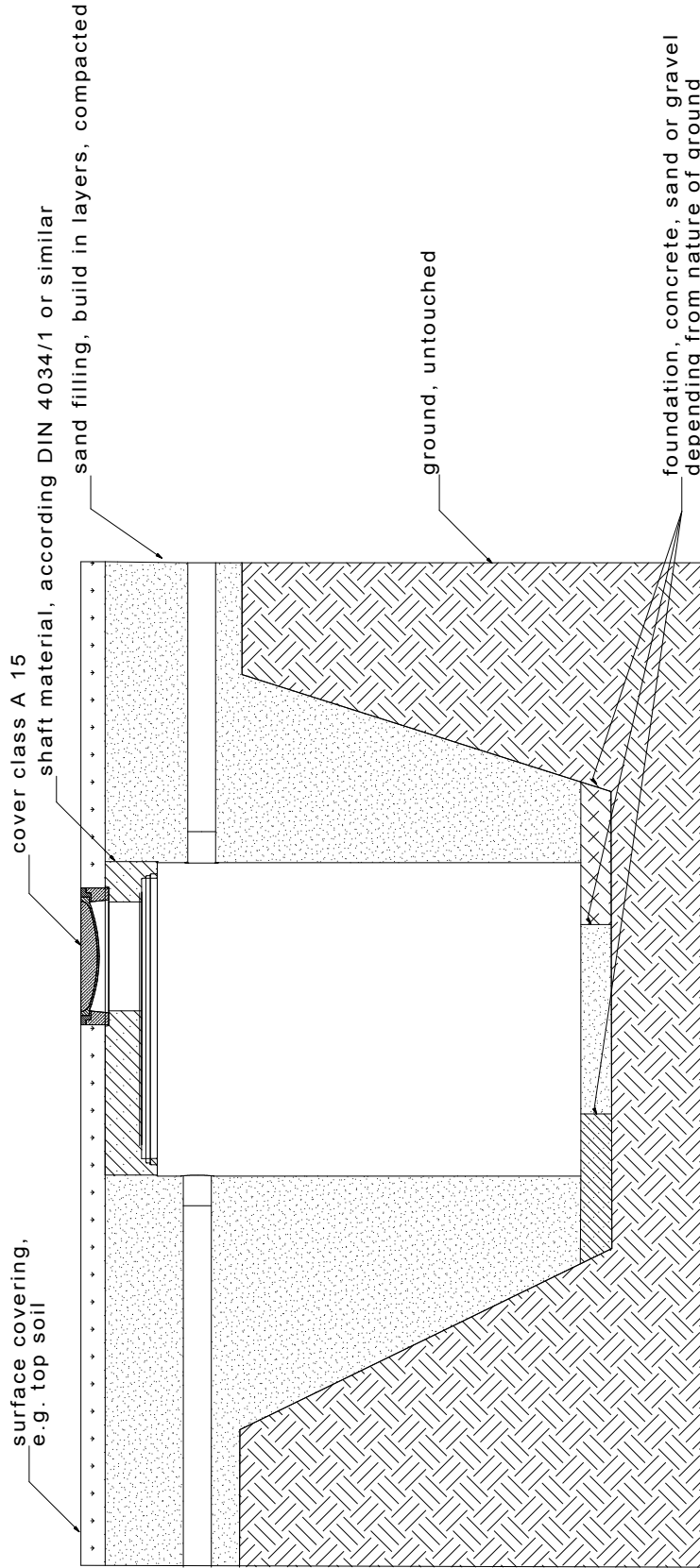
SEPARATORS SERIES MADE OF CONCRETE (H/P/C)

INSTALLATION ADVISES FOR AQUAFIX® SEPARATORS SERIES MADE OF CONCRETE (H/P/C)

1. Please check completeness of delivery. Note any missing parts or transit damage that has occurred on the delivery note immediately. Complaints that are received later will not be entertained. Otherwise our general terms and conditions apply.
 2. The separator system must be installed in a location outside the washing areas where it will not overflow or back up, as close as possible to the location where the waste water occurs. It must also be in the open, frost-free and easily accessible for cleaning vehicles. The drains and pipes must be able to drain until empty.
 3. The base of the excavation must be level. If no suitable soil is available, create a 10 cm thick bed of sand and fine gravel and compress. If the ground is non-load bearing, make a statically measured foundation slab. Put a 10 cm compensation layer of sand onto the foundation slab.
 4. Take thickness of foundation and compensation layer into consideration during height measurements. Pay attention to height information in installation drawing.
 5. The tanks must be installed in a level position.
- Do not confuse the inlet with the outlet! Adhere to order of tanks! Maintain slope! Recommended total incline of system 2 - 5%!**
6. Install system so that top edge is higher than final admission point.
 7. Manual transport on side can be done easily with steel bars which can be put through the holes of the outer stop rings.
 8. Arrange maintenance shaft at outlet side such that all separator areas are accessible and the floats and the coalescence insert can be removed if necessary.
 9. Ensure that the seals are correctly seated! Please use an adequate quantity of antiseize agent. It is advisable to offset the relative positions of the shaft elements in mortar or using hose bearings.
 10. The distance between the individual elements should be 60 - 100 cm.
 11. Ensure that pipelines are connected without leaks.
 12. Fill all tanks with fresh water before filling and check for leaks. **This leak test is mandatory!**
 13. Do not alter positions of tanks and lines when filling and compressing with sand. Please pay attention to the provided drawing.
 14. When all tanks, covering plates, tops and covers and connecting pipes have been correctly located, **the system must be cleaned.**
 15. When filling light liquid separators with fresh water, hold float in raised position until it can float independently.
- Report start-up to the responsible authority. Pay attention to accident prevention regulations during installation!**

INSTALLATION DRAWING

Installation drawing separator from concrete walkable areas - loading capacity A 15

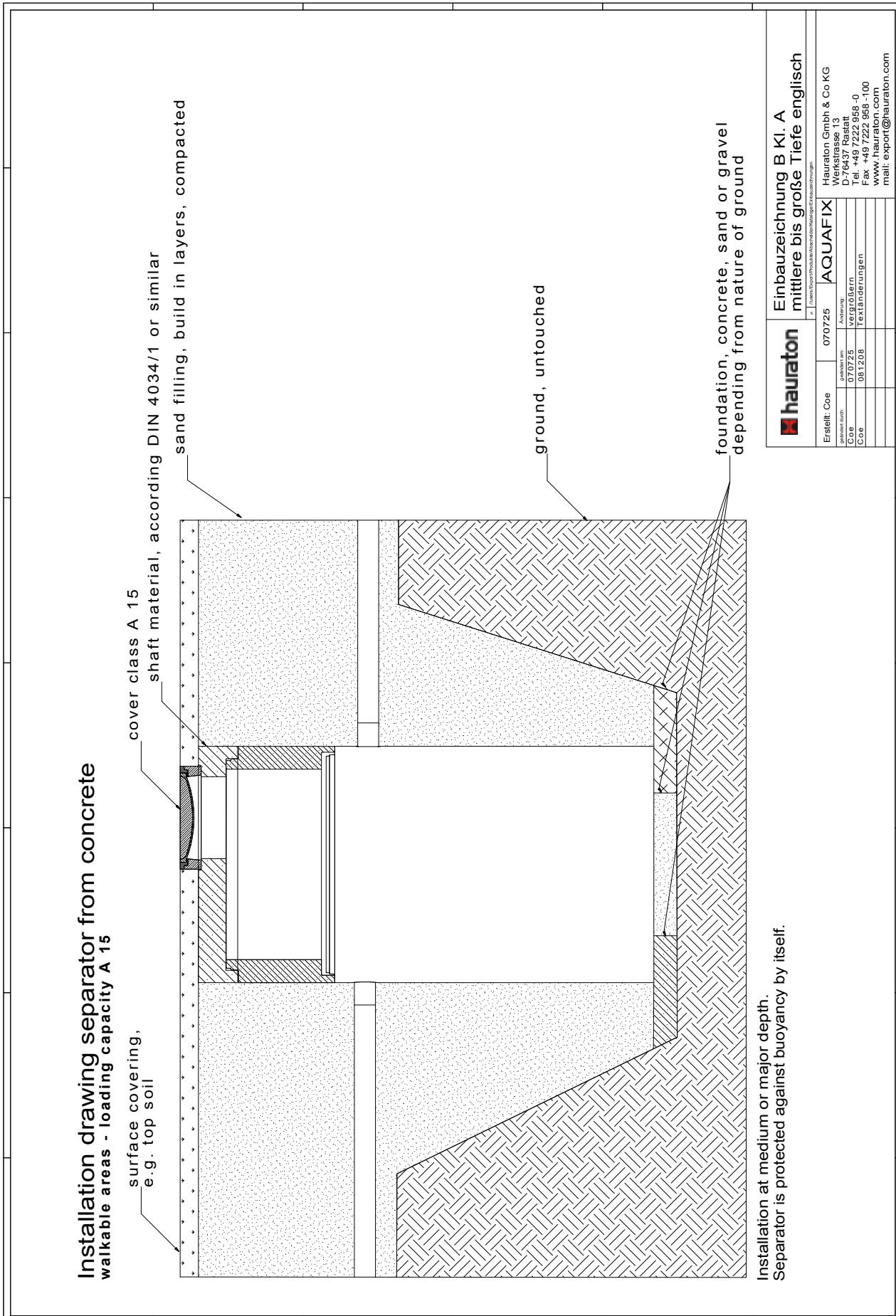


Installation at minor depth.
Separator is protected against buoyancy by itself.

hauraton
Einbauzeichnung B Kl. A
geringe Tiefe englisch

Ersellt: Coo	070725	AQUAFIX	Hauraton GmbH & Co KG
gezeichnet: Coo	070725	veigloßern	Werksraße 13
Coo	081208	Textänderungen	49 7222 958 -0
			49 7222 958 -100
			www.hauraton.com
			mail: export@hauraton.com

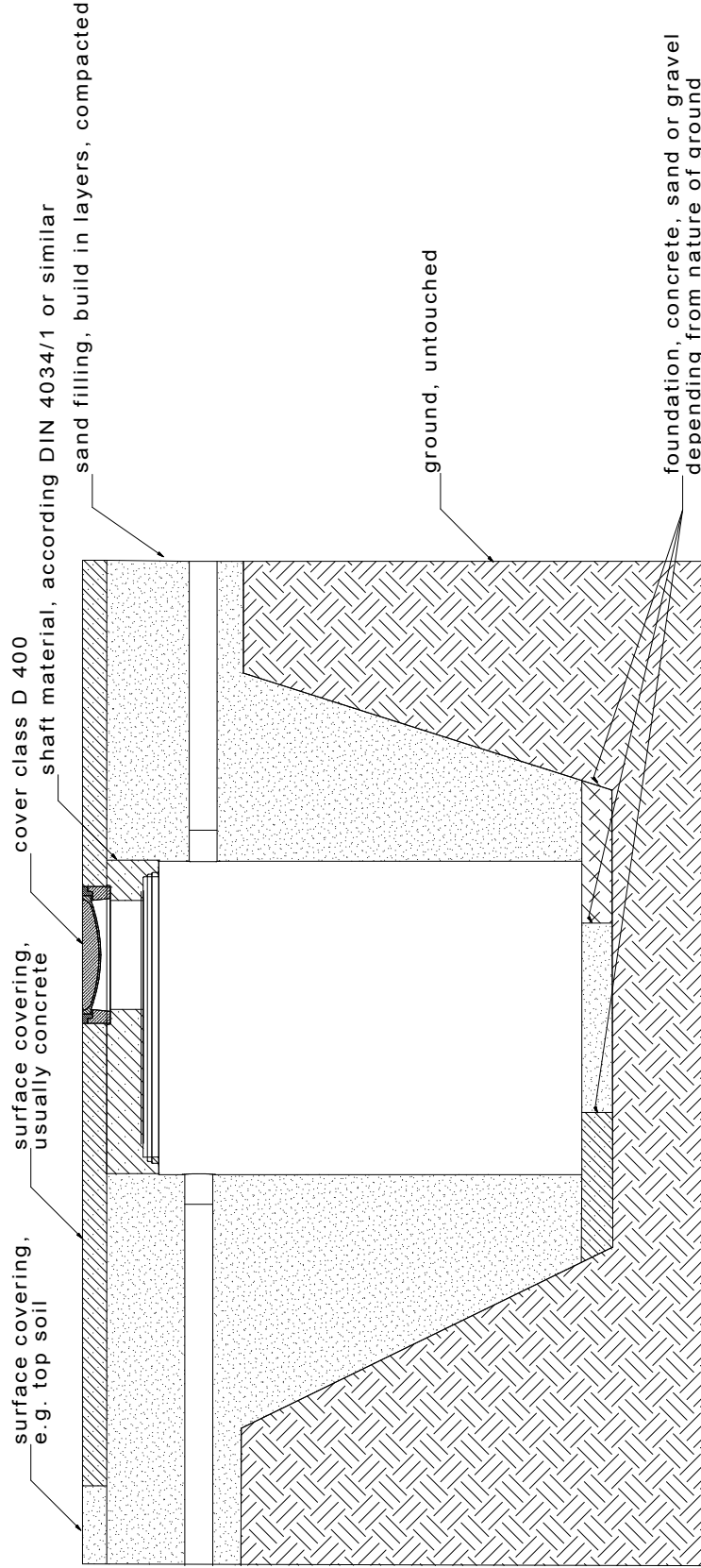
INSTALLATION DRAWING



hauraton		Einbauzeichnung B Kl. A mittlere bis große Tiefe englisch	
Hauraton GmbH & Co KG Werktstraße 13 D-70439 Stuttgart Tel. +49 7141 7222 958-0 Fax +49 7222 958-100 www.hauraton.com mail: export@hauraton.com		Hauraton GmbH & Co KG Werktstraße 13 D-70439 Stuttgart Tel. +49 7141 7222 958-0 Fax +49 7222 958-100 www.hauraton.com mail: export@hauraton.com	
Erstellt: Coe	070725	AQUAFIX	
gezeichnet von:	07.07.25	Anzeichnung:	
CoE	08.12.08	vergrößern	
CoE		Textänderungen	

INSTALLATION DRAWING

Installation drawing separator from concrete trafficable areas - loading capacity D 400

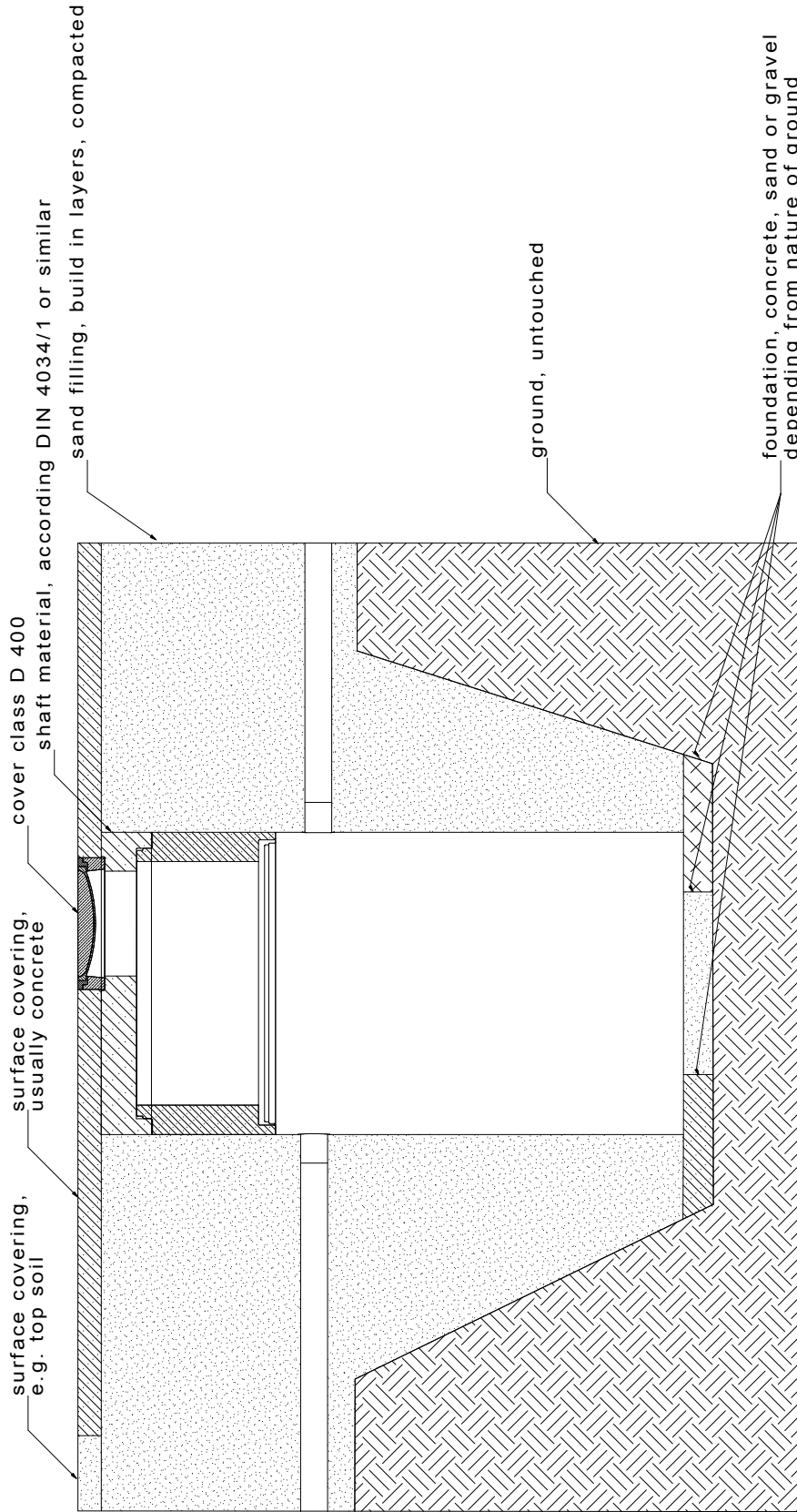


Installation at medium or major depth.
Separator is protected against buoyancy by itself.

hauraton		AQUAFIX	
Einbauzeichnung B Kl. D geringe bis mittlere Tiefe englisch			
Hauraton GmbH & Co KG Weikstrasse 13 42699 Solingen Tel. +49 7222 958-0 Fax +49 7222 958-100 www.hauraton.com mail: export@hauraton.com			
Erstellt: Coo	070725	AQUAFIX	
gezeichnet durch:	Arbeitsnr.	Hauraton GmbH & Co KG	
Coo	07.07.25	Weikstrasse 13	
Coo	081208	42699 Solingen	
		Tel. +49 7222 958-0	
		Fax +49 7222 958-100	
		www.hauraton.com	
		mail: export@hauraton.com	

INSTALLATION DRAWING

Installation drawing separator from concrete
trafficable areas - loading capacity D 400



Installation at medium or major depth.
Separator is protected against buoyancy by itself.

	Erstellt: Code	070725	AQUAFIX	Hauraton GmbH & Co KG
	geändert am:	07.07.25	Vergrößern	Waldstraße 10 D-76437 Reutlingen
Code	081208	Textänderungen		Tel +49 7222 958-0
				Fax +49 7222 958-100
				www.hauraton.com
				mail: export@hauraton.com

Einbauzeichnung B Kl. D
mittlere bis große Tiefe englisch

INSTALLATION INSTRUCTIONS	AQUAFIX® „PP“	AQUAFIX® „10 PE“	AQUAFIX® CONCRETE	AQUAFIX® STEEL „k“	AQUAFIX® STEEL „G“
-------------------------------------	----------------------	-------------------------	--------------------------	---------------------------	---------------------------

AQUAFIX® SEPARATORS

INSTALLATION INSTRUCTIONS

SEPARATORS SERIES MADE OF CONCRETE (H/P/C)

OPERATION AND MAINTENANCE OF AQUAFIX® LIGHT LIQUID SEPARATORS SERIES MADE OF CONCRETE (H/P/C)

□ Before start-up

1. Clean the entire system and remove mortar residue, soil etc. Remove lock during this operation and (if separator is a coalescence separator) remove the coalescence insert and replace them again afterwards.
2. Fill sludge trap and separator with fresh water. Attention! Always hold lock in raised position when filling, or replace when filling is complete.
3. Re-check tightness of joints in the system.

□ Operation

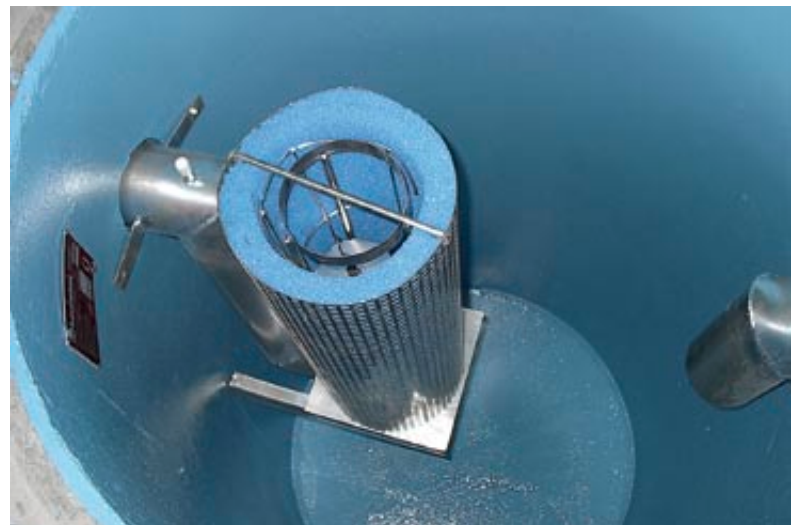
As well as the maintenance guide, the following regulations must be observed for the entire system:

- DIN 1986 (Land drainage systems)
- DIN 1999 (Light liquid separating systems)
- EN 858 (Light liquid separating systems)
- Local drainage statutes and other regulations

Only waste water that does not affect the intended operation of the separator must be led to the separating system. Emulsions and solvents (cold cleaners, drilling and cutting oils, water-soluble hydrocarbons etc.) must be kept away from the separating system and disposed off as special waste. Rainwater from surfaces for which the separating system is not intended and domestic waste water must not be led to the separating system. Do not remove coalescence insert during operation!

□ Disposal

Separating systems must be emptied at least every six months unless otherwise stipulated by the monitoring authority, but no later than when 85% of the storage capacity has been reached. The cleaning intervals must be shorter if the storage capacity of the separator or the sludge trap is exceeded. The operation of the equipment must not be interrupted.



The separated material must only be emptied, cleaned and taken away by authorised disposal companies.

The oil layer and water beneath it must be extracted first, preferably into separate tanks. The float and the lock must be cleaned and the operation thereof checked every time the equipment is emptied. Remove coalescence insert, clean the sludge trap, give damaged coalescence material to the disposal company and replace with new material. Re-insert the coalescence insert.

Every time that the equipment is emptied and cleaned, refill system with fresh water. Hold lock open by hand when doing this or insert it again afterwards. Use mobile ladders when climbing into the system. Extract vapour/air mixture beforehand.

□ Servicing

The separator system must be serviced at least every 6 months. The system may need to be emptied to do this. Carefully check operation of all parts of the system and inspect for damage. Then fill separator and sludge trap with fresh water, Hold lock open by hand or insert afterwards. **Pay attention to accident prevention regulations!**

OPERATION AND MAINTENANCE OF AQUAFIX® LIGHT LIQUID SEPARATORS SERIES MADE OF CONCRETE (H/P/C)

□ Before start-up

Clean the entire system and remove mortar residue, soil etc. Fill entire system with fresh water. Check joints of system for leaks.

□ Operation

As well as the maintenance guide, the following regulations must be observed for the entire system:

- DIN 1986 (Land drainage systems)
- DIN 1999 (Light liquid separating systems)
- EN 858 (Light liquid separating systems)
- Local drainage statutes and other regulations

Only waste water that does not affect the intended operation of the separator must be led to the separating system. Particularly domestic waste water and mineral light liquids must be kept away from the separating system, nor must rainwater be led to the separating system.

□ Disposal

1. The separating systems must be cleaned at least every 14 days more frequently if necessary. The cleaning intervals must be shorter if the storage capacity of the separator or the sludge trap is exceeded. The operation of the equipment must not be interrupted.
2. The separated material must only be emptied, cleaned and taken away by authorised disposal companies.
3. Every time that the equipment is emptied and cleaned, refill system with fresh water.
4. Use mobile ladders when climbing into the system. Extract vapour/air mixture beforehand. Pay attention to accident prevention regulations!

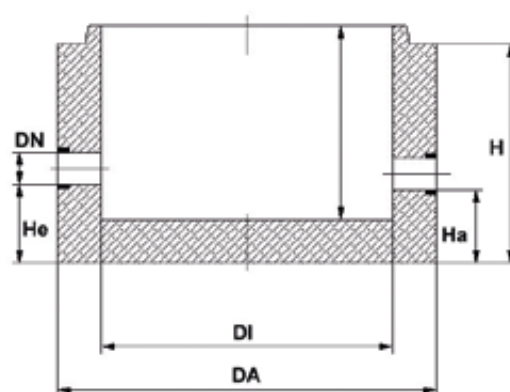
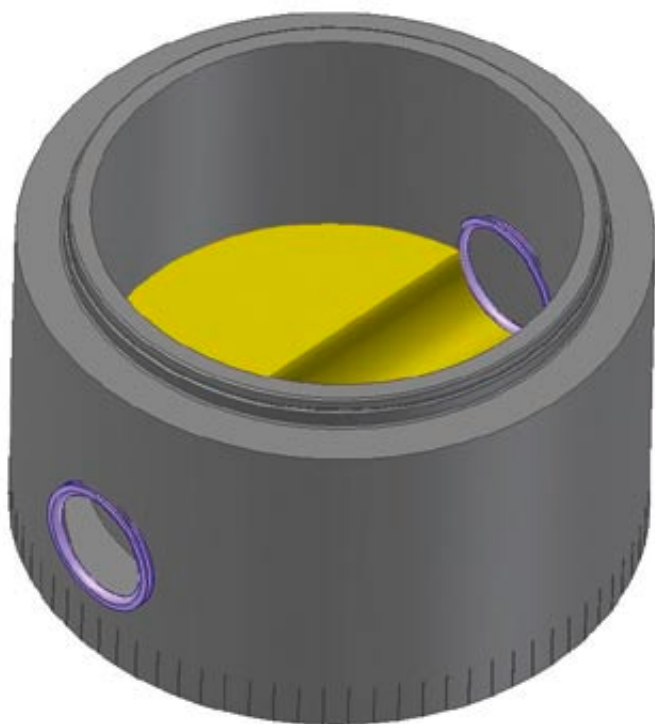
□ Servicing

The separator system must be serviced at least every 14 days. The system must be emptied and cleaned to do this. Carefully check operation of all parts of the system and inspect for damage. Then fill the system with fresh water. Pay attention to accident prevention regulations!



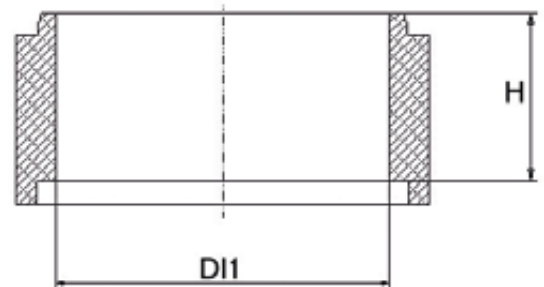
AQUAFIX® Shaft material - Series P

AQUAFIX® - Sample taking shaft



	Length mm	Width mm	Height mm	DN in-/outlet mm	HE H inlet mm	HA H outlet mm	Weight kg	Item No.
P100	1300	1300	750	100	270	250	1100,0	159100P
P125	1300	1300	750	125	270	250	1100,0	159125P
P150	1300	1300	750	150	270	250	1100,0	159150P
P200	1300	1300	750	200	270	250	1100,0	159200P
P250	1300	1300	750	250	270	250	1100,0	159250P

AQUAFIX® - Shaft rings



	Length mm	Width mm	Height mm	Weight kg	Item No.
Shaft ring 1000/250	-	-	-	250,0	151025
Shaft ring 1000/500	-	-	-	500,0	151050
Shaft ring 1200/250	-	-	-	340,0	151225
Shaft ring 1200/500	-	-	-	680,0	151250
Shaft ring 1500/250	-	-	-	530,0	151525
Shaft ring 1500/500	-	-	-	1060,0	151550

AQUAFIX® STEEL „G“

AQUAFIX® STEEL „K“

AQUAFIX® CONCRETE

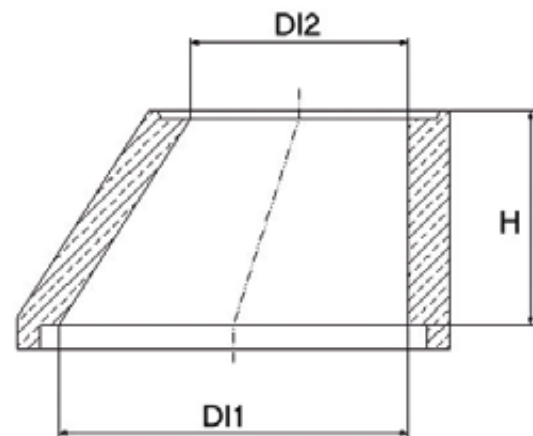
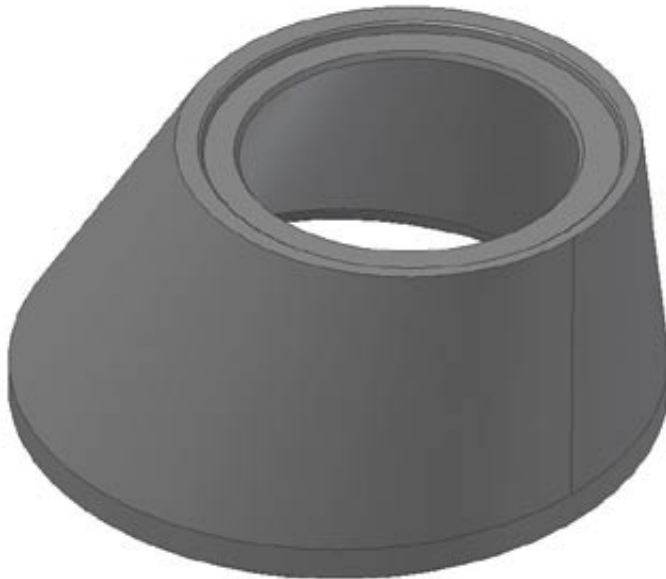
AQUAFIX® „10 PE“

AQUAFIX® „PP“

INSTALLATION
INSTRUCTIONS

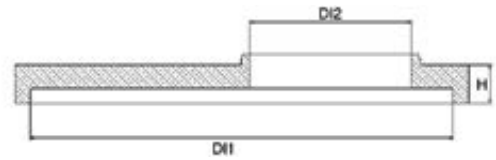
AQUAFIX® Shaft material - Series P

AQUAFIX® - Shaft conus



	Length mm	Width mm	Height mm	Weight kg	Item No.
Shaft sleeve 1000/600	-	-	-	600,0	151060
Shaft sleeve 1200/600	-	-	-	1000,0	151260

AQUAFIX® - Reductionplates



	Length mm	Width mm	Height mm	Weight kg	Item No.
Reduktionplate 1200/1000	-	-	-	600,0	153121
Reduktionplate 1500/1000	-	-	-	1050,0	153151
Reduktionplate 2000/1000	-	-	-	1900,0	153201
Reduktionplate 2500/1000	-	-	-	2500,0	153251

AQUAFIX® STEEL „G“

AQUAFIX® STEEL „K“

AQUAFIX® CONCRETE

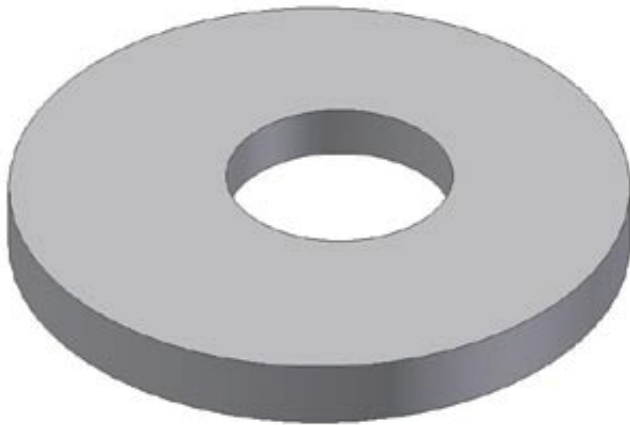
AQUAFIX® „10 PE“

AQUAFIX® „PP“

INSTALLATION
INSTRUCTIONS

AQUAFIX® Shaft material - Series P

AQUAFIX® - Cover plates



	Length mm	Width mm	Height mm	Weight kg	Item No.
cover plate 1300/1000/0625	-	-	-	600,0	141001
cover plate 1800/1500/0625	-	-	-	950,0	141501
cover plate 1500/1200/0625	-	-	-	820,0	141205
cover plate 2300/2000/0625	-	-	-	2070,0	142002
cover plate 2800/2500/0625	-	-	-	3143,0	142506

1

AQUAFIX® STEEL „G“

AQUAFIX® STEEL „K“

AQUAFIX® CONCRETE

AQUAFIX® „10 PE“

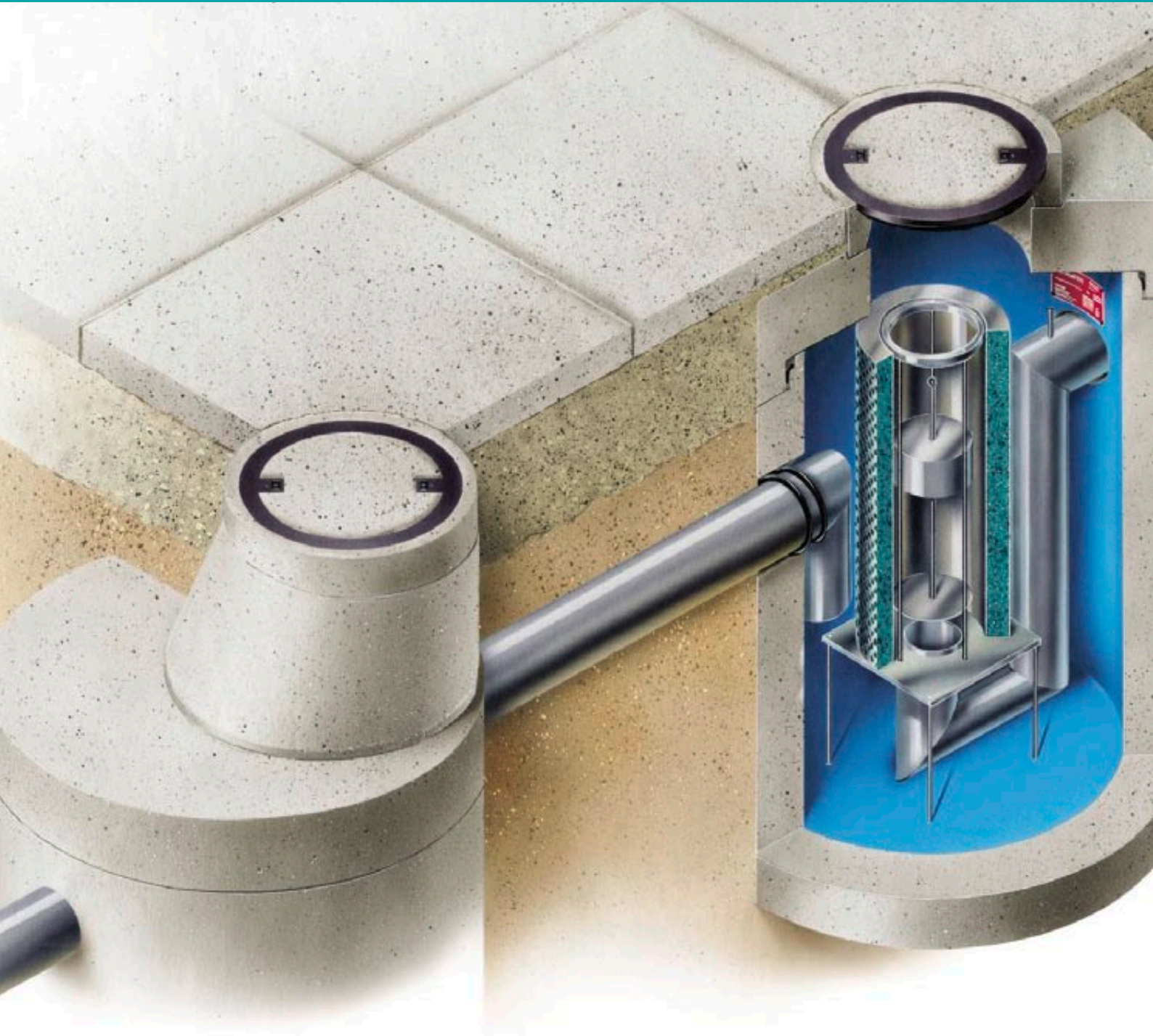
AQUAFIX® „PP“

**INSTALLATION
INSTRUCTIONS**

AQUAFIX® SEPARATORS

SERIES MADE OF CONCRETE

SOLID CONSTRUCTIONS FOR HEAVY DUTY.





AT A GLANCE:

- ✓ High quality concrete
- ✓ Strong wall thickness
- ✓ Conforms to standards - even down to the details

AQUAFIX® SEPARATORS

SERIES MADE OF CONCRETE

SOLID CONSTRUCTIONS FOR HEAVY DUTY.

FEATURES

- high grade reinforced concrete C35/45 in accordance with Eurocode EC 206, DIN 1045 and 4281, wall thickness at least 120 mm
- coating consisting of three layers of epoxy resin resistant to light liquids and fatty acids
- conform to European standards EN 858 and 1825



AQUAFIX® STEEL „G“

AQUAFIX® STEEL „K“

AQUAFIX® CONCRETE

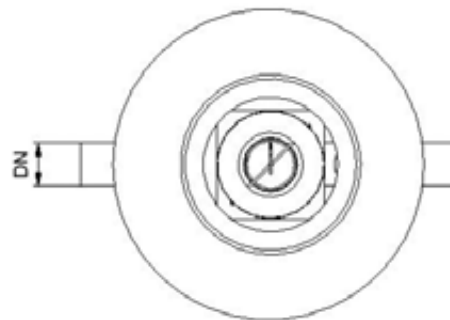
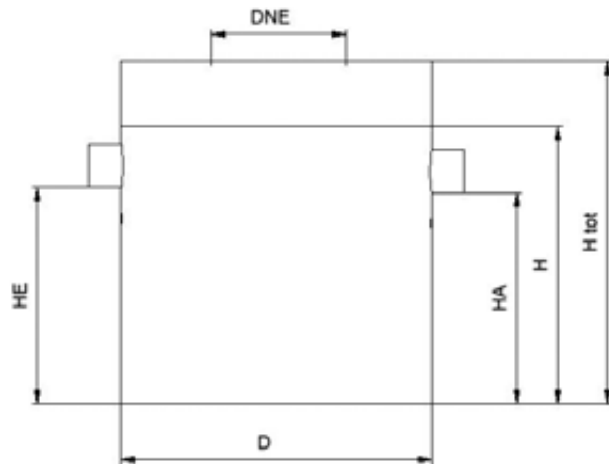
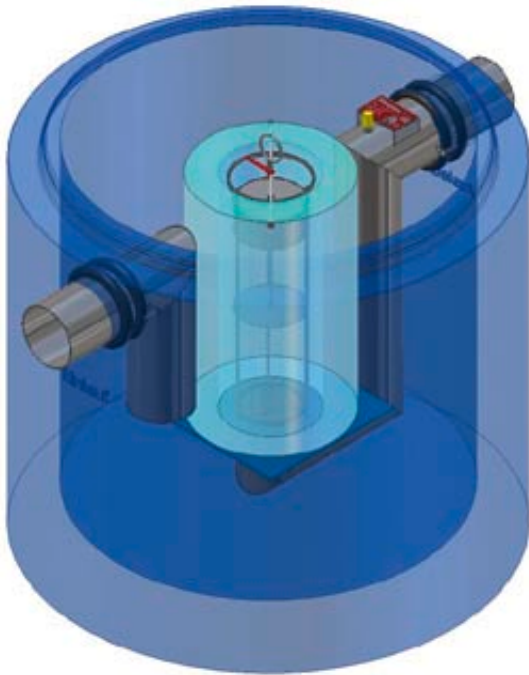
AQUAFIX® „10 PE“

AQUAFIX® „PP“

**INSTALLATION
INSTRUCTIONS**

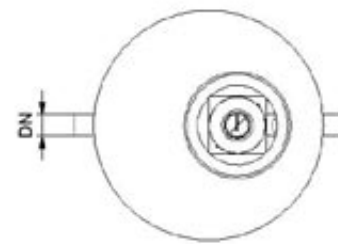
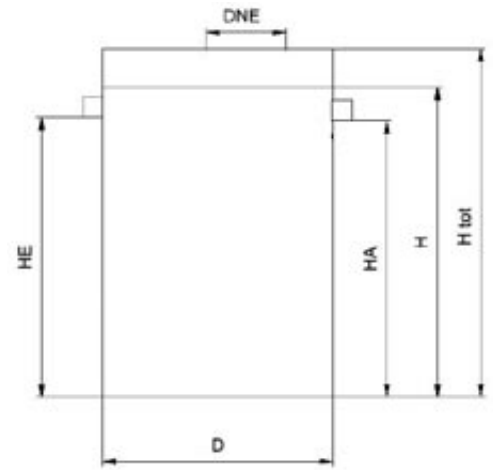
AQUAFIX® Separators from concrete - Series H

AQUAFIX® - K Coalescence separator



	Length mm	Width mm	Height mm	max. ϕ Flow l/s	Seperator mm	sludge trap capacity l	seperator capacity l	DN in- outlet mm	HE H in- let mm	HA H out- let mm	DNE man- hole 1	DNE man- hole 2	Weight kg	storage capacity l	Item No.
K 10 H	1240	1240	1150	10	1000	-	518	150	900	875	800	-	1418,0	157	103100H
K 20 H	1740	1740	1350	20	1000	-	1439	200	900	875	800	-	2726,0	353	103200H

AQUAFIX® - SK Coalescence separator with sludge trap



	Length mm	Width mm	Height mm	max. Flow l/s	Seperator ø mm	sludge trap capa- city l	separa- tor capa- city l	DN in-/ outlet mm	HE H in- let mm	HA H out- let mm	DNE man- hole 1	DNE man- hole 2	Weight kg	storage capacity l	Item No.
SK 04/0650 H	1240	1240	2000	4	1000	650	575	150	1750	1725	800	-	2410,0	157	176043H
SK 06-10/2500 H	1740	1740	2500	10	1500	2385	1166	150	2200	2175	800	-	4479,0	353	176105H

AQUAFIX® STEEL „G“

AQUAFIX® STEEL „K“

AQUAFIX® CONCRETE

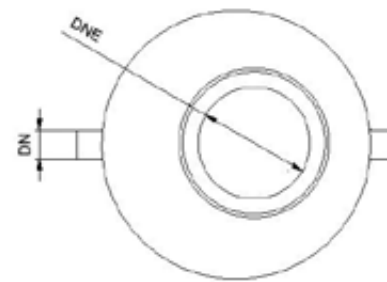
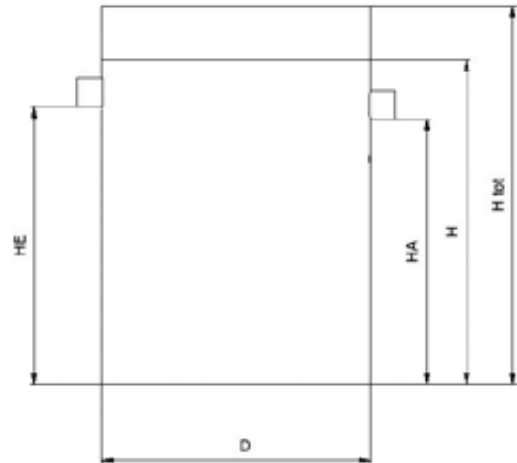
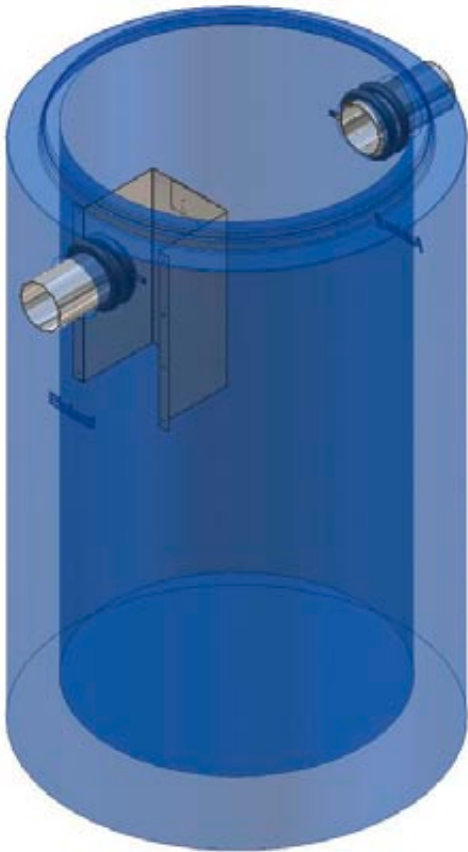
AQUAFIX® „10 PE“

AQUAFIX® „PP“

INSTALLATION
INSTRUCTIONS

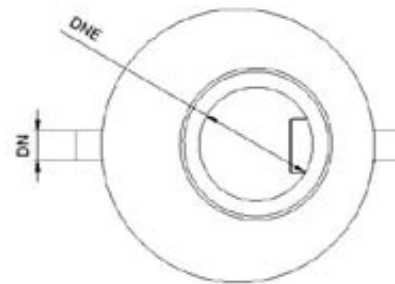
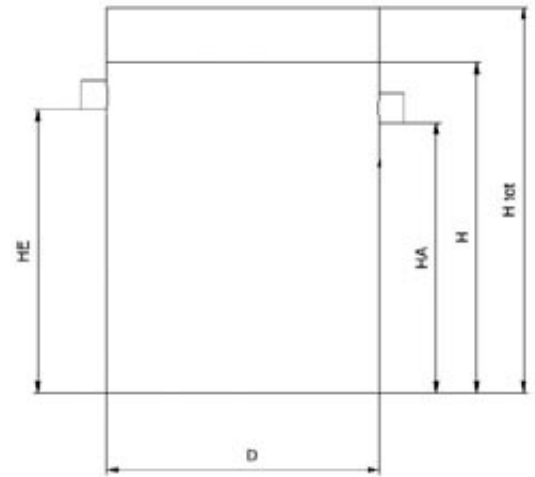
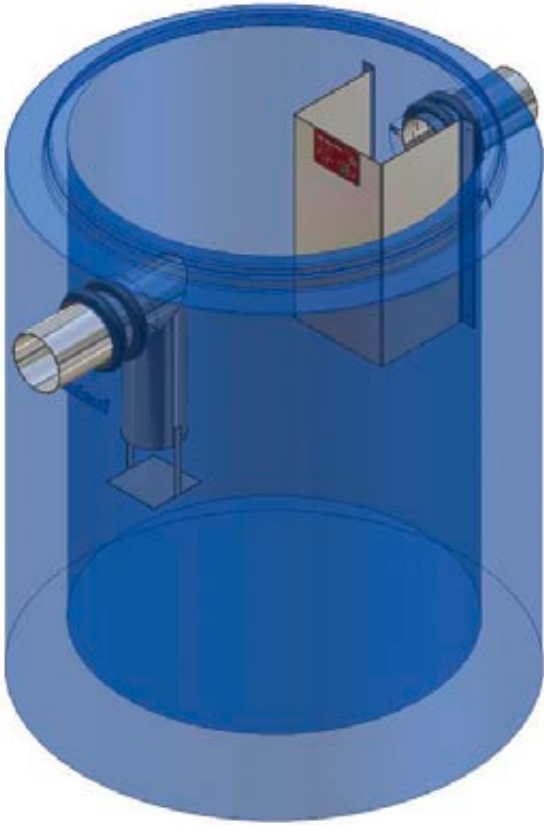
AQUAFIX® Separators from concrete - Series H

AQUAFIX® - S Sludge trap



	Length mm	Width mm	Height mm	max. ϕ Flow l/s	Sepe- rator mm	sludge trap capa- city l	sepa- rator capa- city l	DN in-/ outlet mm	HE H inlet mm	HA H out- let mm	DNE man- hole 1	DNE man- hole 2	Weight kg	storage capacity l	Item No.
S 10/02500 H	1740	1740	1950	-	1500	2500	-	150	1650	1625	800	-	3607,0	-	101105H
S 20/02500 H	1740	1740	1950	-	1500	2500	-	200	1600	1575	800	-	3596,0	-	101205H

AQUAFIX® - SF Grease separator with sludge trap



	Length mm	Width mm	Height mm	max. Flow l/s	Seperator mm	sludge trap capacity l	seperator capacity l	DN in-/ outlet mm	HE H in- let mm	HA H out- let mm	DNE man- hole 1	DNE man- hole 2	Weight kg	storage capacity l	Item No.
SF 04/0400 H	1240	1240	1600	4	1000	400	418	150	1220	1170	800	-	1968,0	157	178042H
SF 10/1000 H	1740	1740	1800	10	1500	1000	1766	150	1420	1370	800	-	3388,0	350	178104H

AQUAFIX® STEEL „G“

AQUAFIX® STEEL „K“

AQUAFIX® CONCRETE

AQUAFIX® „10 PE“

AQUAFIX® „PP“

INSTALLATION
INSTRUCTIONS

AQUAFIX® SEPARATORS

INSTALLATION INSTRUCTIONS

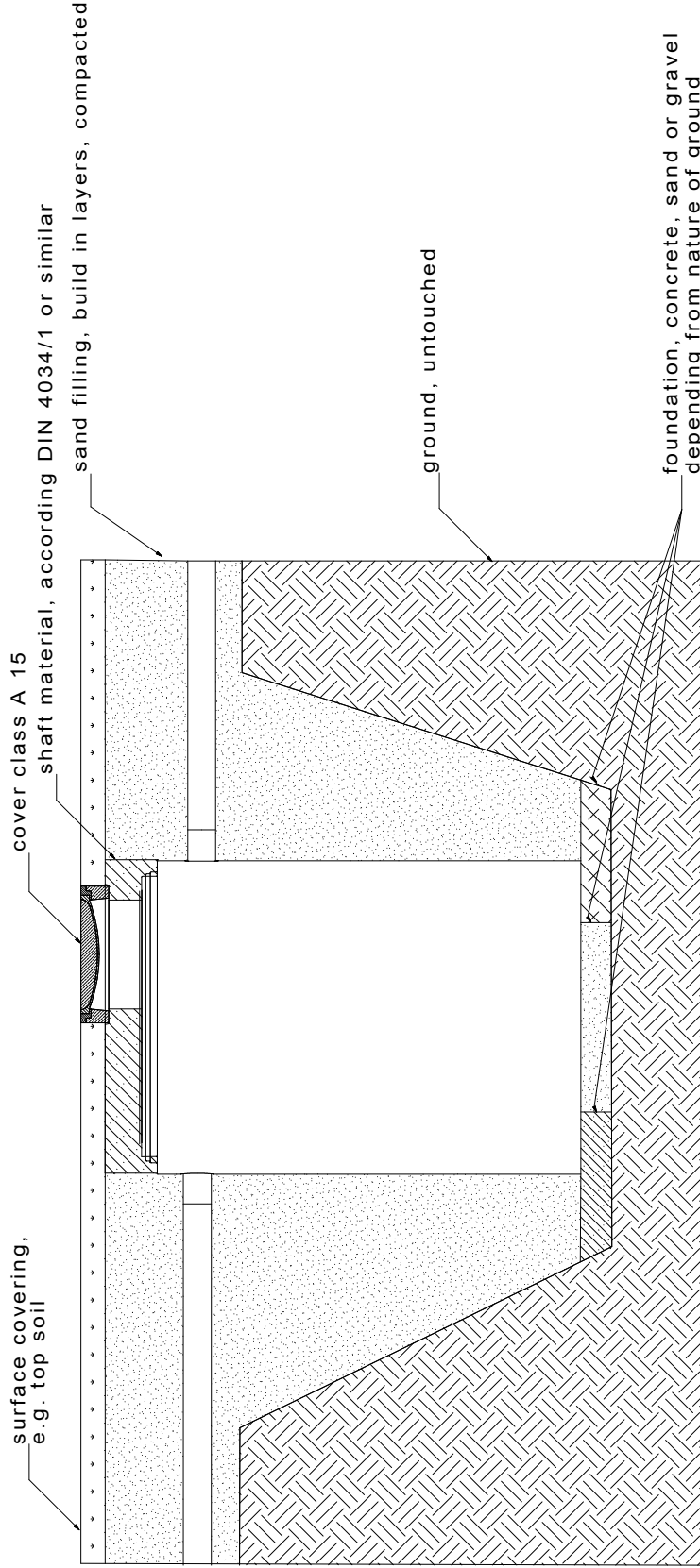
SEPARATORS SERIES MADE OF CONCRETE (H/P/C)

INSTALLATION ADVISES FOR AQUAFIX® SEPARATORS SERIES MADE OF CONCRETE (H/P/C)

1. Please check completeness of delivery. Note any missing parts or transit damage that has occurred on the delivery note immediately. Complaints that are received later will not be entertained. Otherwise our general terms and conditions apply.
 2. The separator system must be installed in a location outside the washing areas where it will not overflow or back up, as close as possible to the location where the waste water occurs. It must also be in the open, frost-free and easily accessible for cleaning vehicles. The drains and pipes must be able to drain until empty.
 3. The base of the excavation must be level. If no suitable soil is available, create a 10 cm thick bed of sand and fine gravel and compress. If the ground is non-load bearing, make a statically measured foundation slab. Put a 10 cm compensation layer of sand onto the foundation slab.
 4. Take thickness of foundation and compensation layer into consideration during height measurements. Pay attention to height information in installation drawing.
 5. The tanks must be installed in a level position.
- Do not confuse the inlet with the outlet! Adhere to order of tanks! Maintain slope! Recommended total incline of system 2 - 5%!**
6. Install system so that top edge is higher than final admission point.
 7. Manual transport on side can be done easily with steel bars which can be put through the holes of the outer stop rings.
 8. Arrange maintenance shaft at outlet side such that all separator areas are accessible and the floats and the coalescence insert can be removed if necessary.
 9. Ensure that the seals are correctly seated! Please use an adequate quantity of antiseize agent. It is advisable to offset the relative positions of the shaft elements in mortar or using hose bearings.
 10. The distance between the individual elements should be 60 - 100 cm.
 11. Ensure that pipelines are connected without leaks.
 12. Fill all tanks with fresh water before filling and check for leaks. **This leak test is mandatory!**
 13. Do not alter positions of tanks and lines when filling and compressing with sand. Please pay attention to the provided drawing.
 14. When all tanks, covering plates, tops and covers and connecting pipes have been correctly located, **the system must be cleaned.**
 15. When filling light liquid separators with fresh water, hold float in raised position until it can float independently.
- Report start-up to the responsible authority. Pay attention to accident prevention regulations during installation!**

INSTALLATION DRAWING

Installation drawing separator from concrete walkable areas - loading capacity A 15



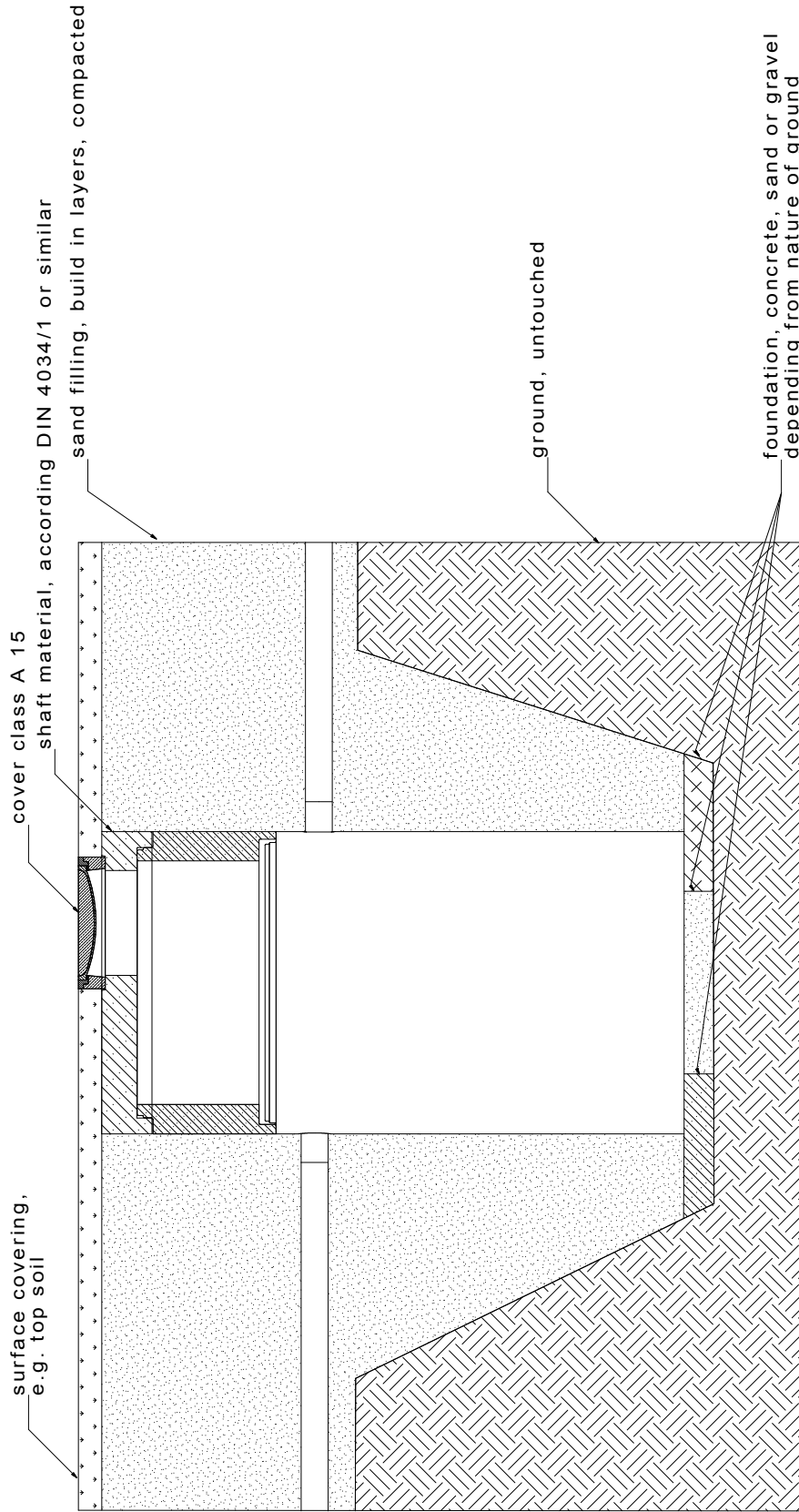
Installation at minor depth.
Separator is protected against buoyancy by itself.

hauraton
Einbauzeichnung B Kl. A
geringe Tiefe englisch

Ersellt: Coo		070725	AQUAFIX	Hauraton GmbH & Co KG
gezeichnet:	gezeichnet am:	07.07.25	veiglöbner	Werksrasse 13
Coo	gezeichnet durch:	08.12.08	Textänderungen	4870 Pfaffenbrunn
				Tele +49 7222 958 -0
				Fax +49 7222 958 -100
				www.hauraton.com
				mail: export@hauraton.com

INSTALLATION DRAWING

Installation drawing separator from concrete
walkable areas - loading capacity A 15

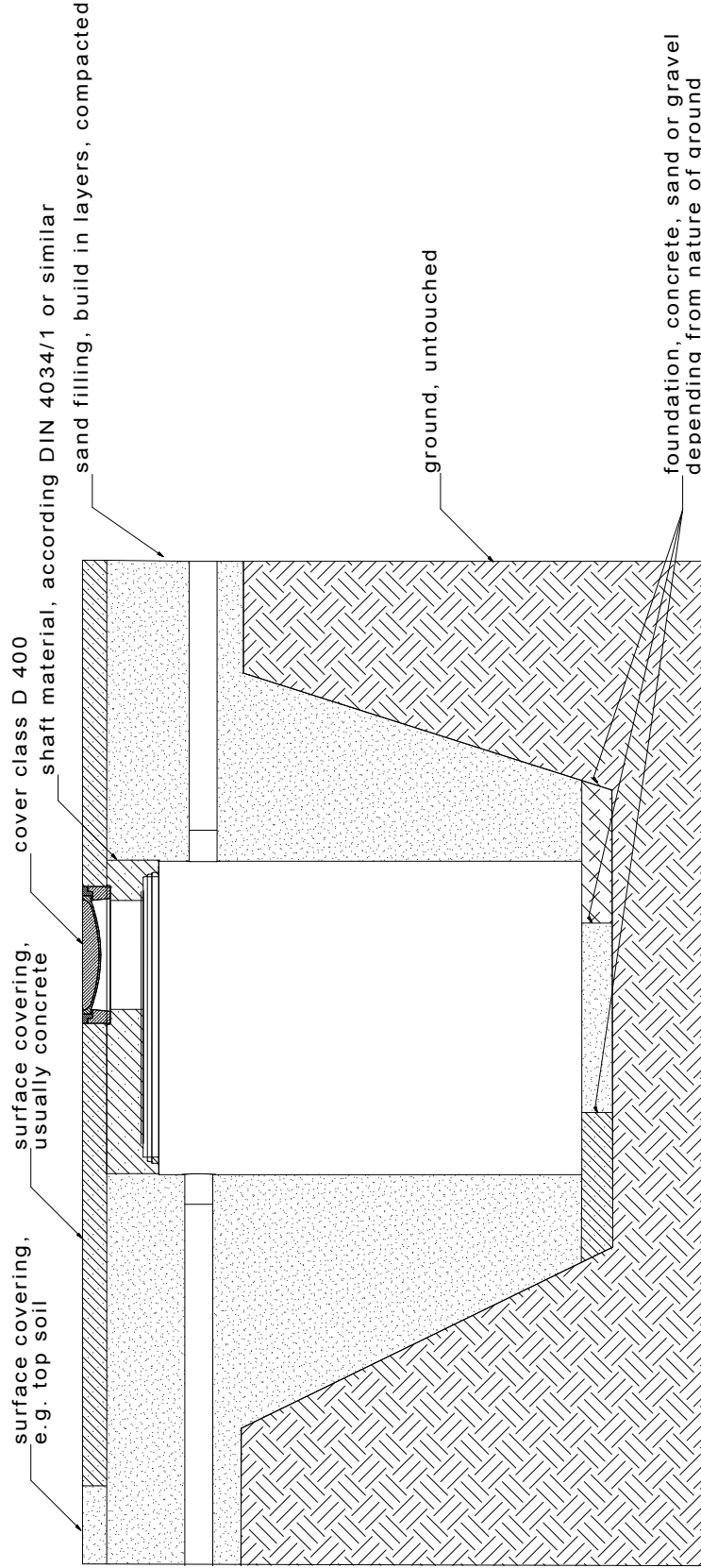


Installation at medium or major depth.
Separator is protected against buoyancy by itself.

hauraton	Einbauzeichnung B Kl. A mittlere bis große Tiefe englisch	
	Hauraton GmbH & Co KG Werkstrasse 13 D-70439 Stuttgart Tel. +49 7141 7222 958-0 Fax +49 7222 958-100 www.hauraton.com mail: export@hauraton.com	
Erstellt: Coe	070725	AQUAFIX
gezeichnet von:	07.07.25	vergrößern
Coe	08.12.08	Textänderungen

INSTALLATION DRAWING

Installation drawing separator from concrete trafficable areas - loading capacity D 400



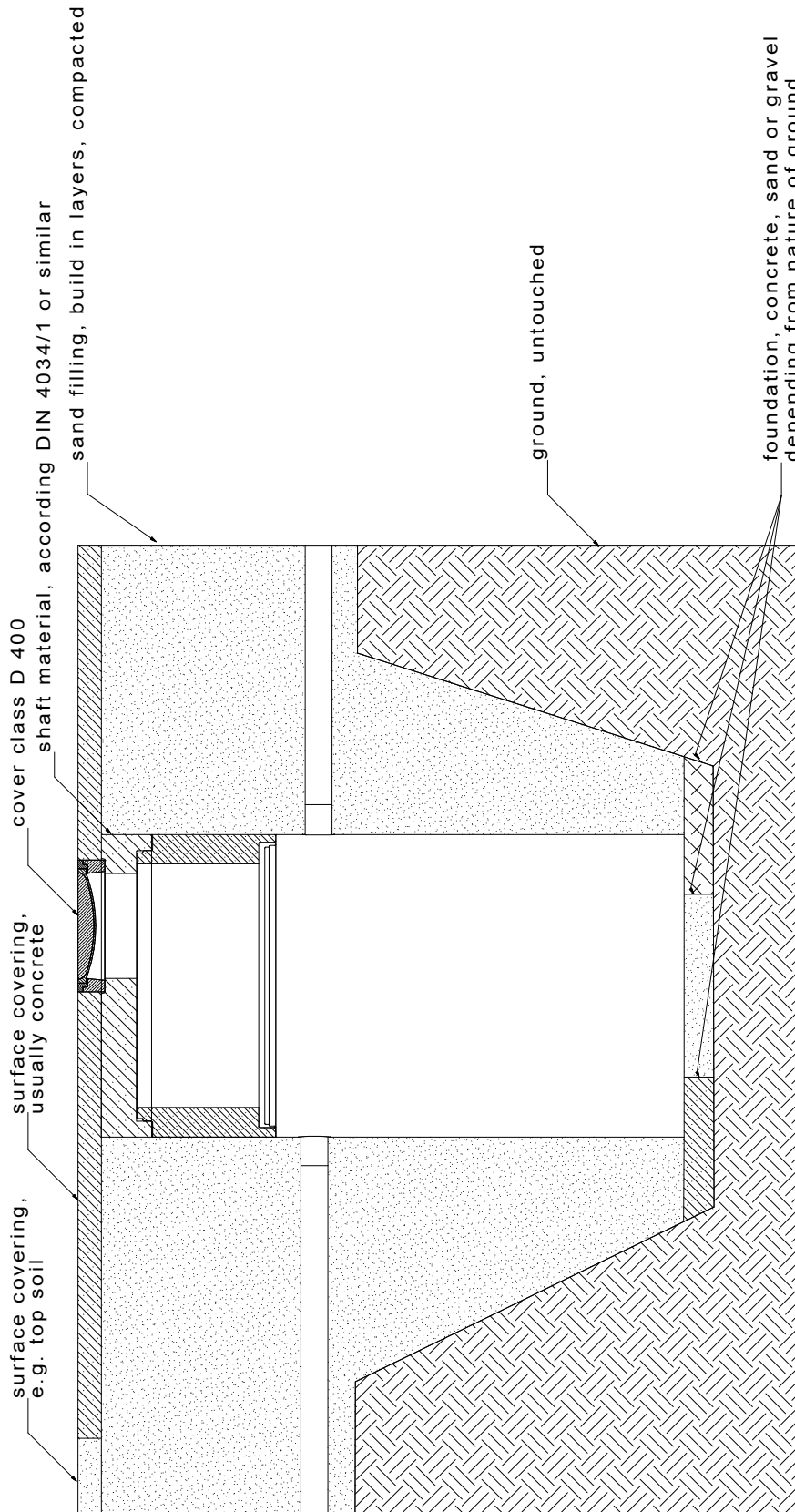
Installation at medium or major depth.
Separator is protected against buoyancy by itself.

hauraton Einbauezeichnung B Kl. D
geringe bis mittlere Tiefe englisch

Erstellt: Cee	070725	AQUAFIX	Hauraton GmbH & Co KG
gezeichnet durch:	07.07.25	Vergrößern	Weikstrasse 13
Cee	081208	Textänderungen	47169 Hauraton
			Telefon +49 7222 958-0
			Fax +49 7222 958-100
			www.hauraton.com
			mail: export@hauraton.com

INSTALLATION DRAWING

Installation drawing separator from concrete
trafficable areas - loading capacity D 400



Installation at medium or major depth.
Separator is protected against buoyancy by itself.

hauraton	Erstellt: Code	070725	AQUAFIX	Hauraton GmbH & Co KG
	geändert am:	Anzahlung		Wolfgangstraße 10 D-76437 Reutlingen
	Code	070725	Vergrößerung	Tel +49 7222 958-0
	Code	081208	Textänderungen	Fax +49 7222 958-100
				www.hauraton.com
				mail: export@hauraton.com

Einbauzeichnung B Kl. D
mittlere bis große Tiefe englisch

INSTALLATION INSTRUCTIONS	AQUAFIX® „PP“	AQUAFIX® „10 PE“	AQUAFIX® CONCRETE	AQUAFIX® STEEL „k“	AQUAFIX® STEEL „G“
-------------------------------------	----------------------	-------------------------	--------------------------	---------------------------	---------------------------

AQUAFIX® SEPARATORS

INSTALLATION INSTRUCTIONS

SEPARATORS SERIES MADE OF CONCRETE (H/P/C)

OPERATION AND MAINTENANCE OF AQUAFIX® LIGHT LIQUID SEPARATORS SERIES MADE OF CONCRETE (H/P/C)

□ Before start-up

1. Clean the entire system and remove mortar residue, soil etc. Remove lock during this operation and (if separator is a coalescence separator) remove the coalescence insert and replace them again afterwards.
2. Fill sludge trap and separator with fresh water. Attention! Always hold lock in raised position when filling, or replace when filling is complete.
3. Re-check tightness of joints in the system.

□ Operation

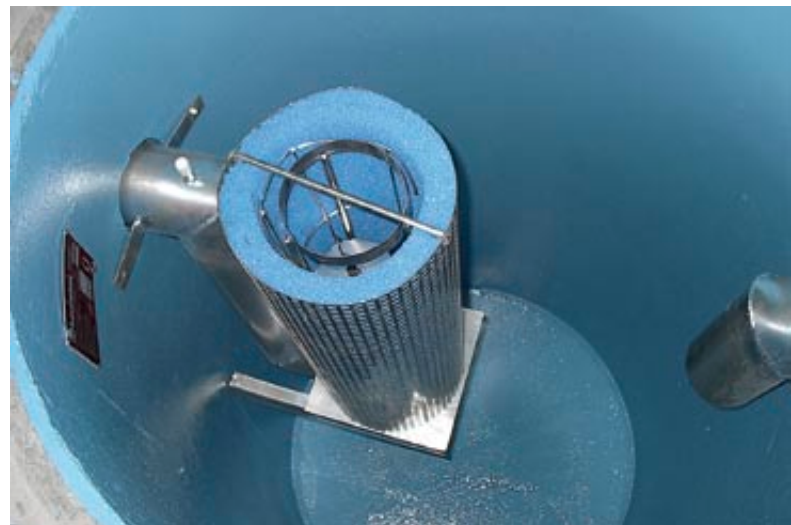
As well as the maintenance guide, the following regulations must be observed for the entire system:

- DIN 1986 (Land drainage systems)
- DIN 1999 (Light liquid separating systems)
- EN 858 (Light liquid separating systems)
- Local drainage statutes and other regulations

Only waste water that does not affect the intended operation of the separator must be led to the separating system. Emulsions and solvents (cold cleaners, drilling and cutting oils, water-soluble hydrocarbons etc.) must be kept away from the separating system and disposed off as special waste. Rainwater from surfaces for which the separating system is not intended and domestic waste water must not be led to the separating system. Do not remove coalescence insert during operation!

□ Disposal

Separating systems must be emptied at least every six months unless otherwise stipulated by the monitoring authority, but no later than when 85% of the storage capacity has been reached. The cleaning intervals must be shorter if the storage capacity of the separator or the sludge trap is exceeded. The operation of the equipment must not be interrupted.



The separated material must only be emptied, cleaned and taken away by authorised disposal companies.

The oil layer and water beneath it must be extracted first, preferably into separate tanks. The float and the lock must be cleaned and the operation thereof checked every time the equipment is emptied. Remove coalescence insert, clean the sludge trap, give damaged coalescence material to the disposal company and replace with new material. Re-insert the coalescence insert.

Every time that the equipment is emptied and cleaned, refill system with fresh water. Hold lock open by hand when doing this or insert it again afterwards. Use mobile ladders when climbing into the system. Extract vapour/air mixture beforehand.

□ Servicing

The separator system must be serviced at least every 6 months. The system may need to be emptied to do this. Carefully check operation of all parts of the system and inspect for damage. Then fill separator and sludge trap with fresh water, Hold lock open by hand or insert afterwards. **Pay attention to accident prevention regulations!**

OPERATION AND MAINTENANCE OF AQUAFIX® LIGHT LIQUID SEPARATORS SERIES MADE OF CONCRETE (H/P/C)

□ Before start-up

Clean the entire system and remove mortar residue, soil etc. Fill entire system with fresh water. Check joints of system for leaks.

□ Operation

As well as the maintenance guide, the following regulations must be observed for the entire system:

- DIN 1986 (Land drainage systems)
- DIN 1999 (Light liquid separating systems)
- EN 858 (Light liquid separating systems)
- Local drainage statutes and other regulations

Only waste water that does not affect the intended operation of the separator must be led to the separating system. Particularly domestic waste water and mineral light liquids must be kept away from the separating system, nor must rainwater be led to the separating system.

□ Disposal

1. The separating systems must be cleaned at least every 14 days more frequently if necessary. The cleaning intervals must be shorter if the storage capacity of the separator or the sludge trap is exceeded. The operation of the equipment must not be interrupted.
2. The separated material must only be emptied, cleaned and taken away by authorised disposal companies.
3. Every time that the equipment is emptied and cleaned, refill system with fresh water.
4. Use mobile ladders when climbing into the system. Extract vapour/air mixture beforehand. Pay attention to accident prevention regulations!

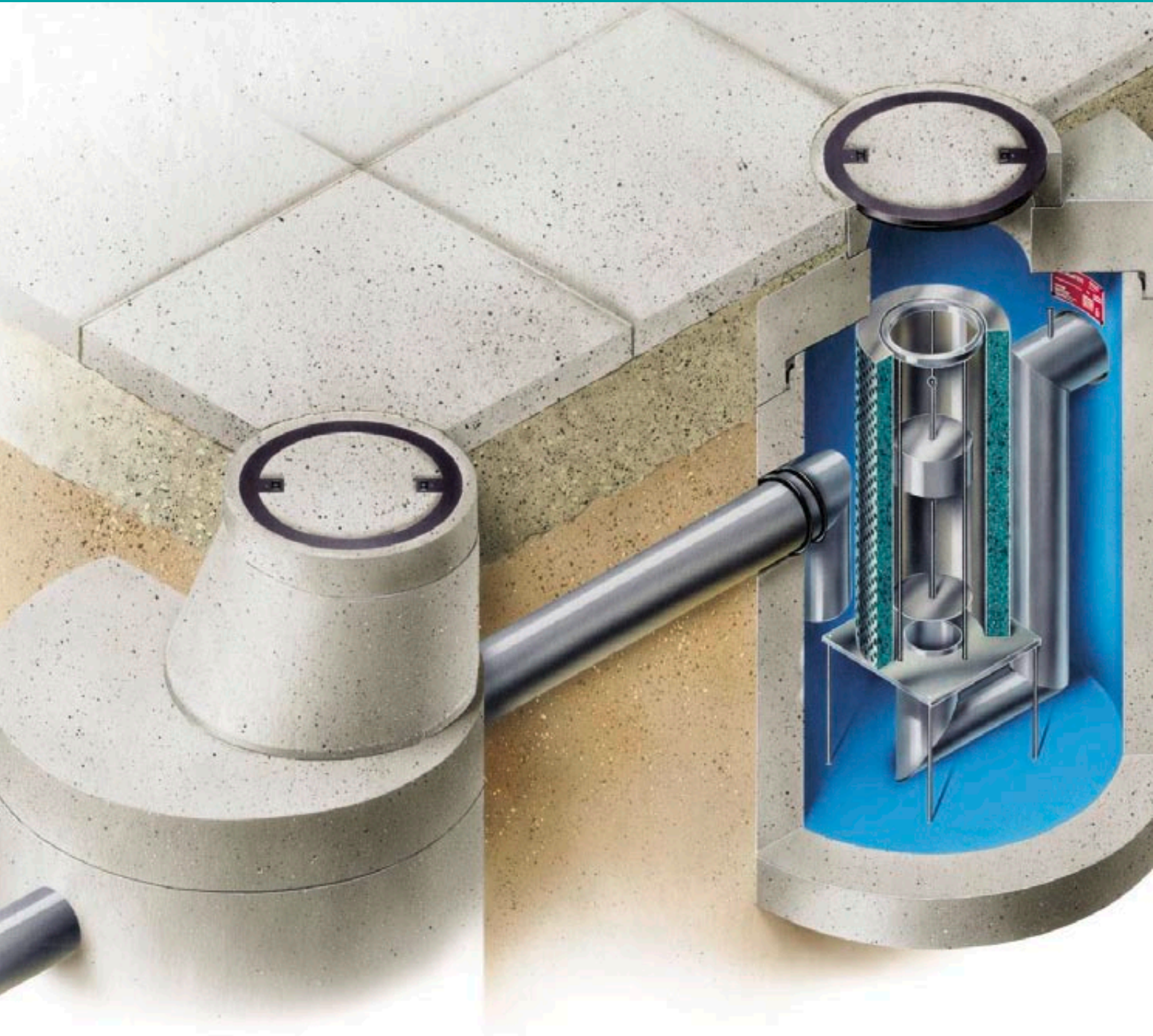
□ Servicing

The separator system must be serviced at least every 14 days. The system must be emptied and cleaned to do this. Carefully check operation of all parts of the system and inspect for damage. Then fill the system with fresh water. Pay attention to accident prevention regulations!



AQUAFIX[®] SEPARATORS

SERIES MADE OF CONCRETE
SOLID CONSTRUCTIONS FOR HEAVY DUTY.





AT A GLANCE:

- ✓ High quality concrete
- ✓ Strong wall thickness
- ✓ Conforms to standards - even down to the details

AQUAFIX® SEPARATORS

SERIES MADE OF CONCRETE

SOLID CONSTRUCTIONS FOR HEAVY DUTY.

FEATURES

- high grade reinforced concrete C35/45 in accordance with Eurocode EC 206, DIN 1045 and 4281, wall thickness at least 120 mm
- coating consisting of three layers of epoxy resin resistant to light liquids and fatty acids
- conform to European standards EN 858 and 1825



AQUAFIX® STEEL „G“

AQUAFIX® STEEL „K“

AQUAFIX® CONCRETE

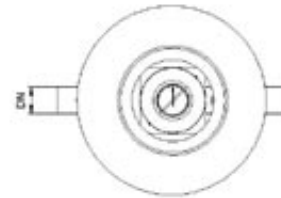
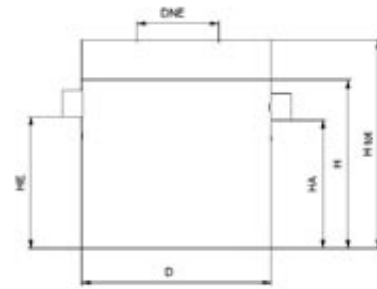
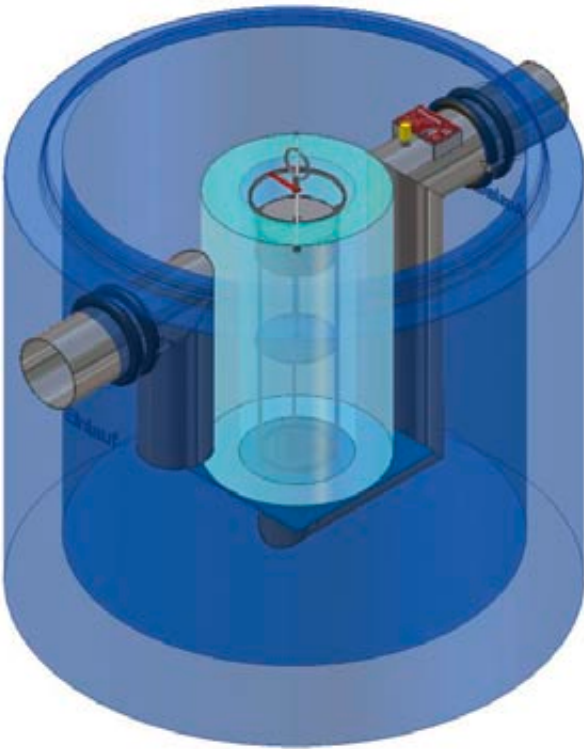
AQUAFIX® „10 PE“

AQUAFIX® „PP“

**INSTALLATION
INSTRUCTIONS**

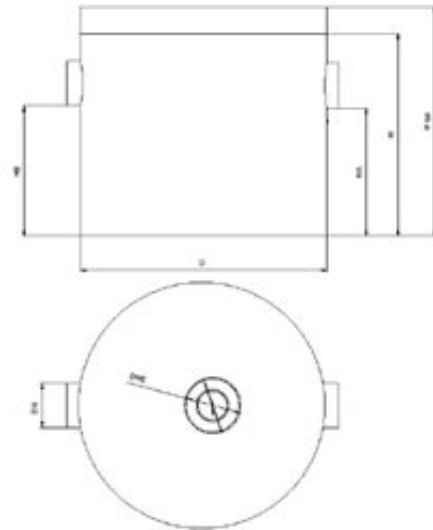
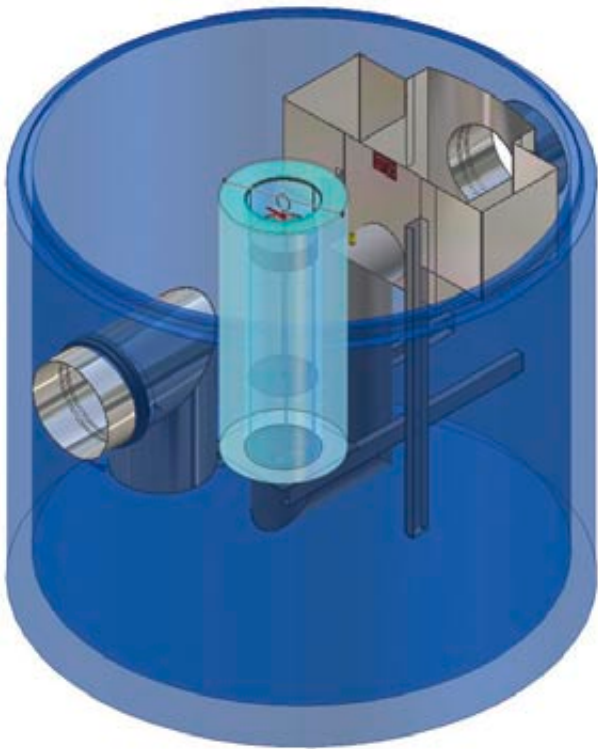
AQUAFIX® Separators from concrete - Series C

AQUAFIX® - K Coalescence separator



	Length mm	Width mm	Height mm	max. \varnothing Flow l/s	Sepe- rator mm	sludge trap capa- city l	sepa- rator capa- city l	DN in-/ outlet mm	HE H inlet mm	HA H outlet mm	DNE man- hole 1	DNE man- hole 2	Weight mm	storage capa- city l	Item No.
K 10	1240	1240	1315	10	1000	-	530	150	845	820	625	-	1500,0	162	103100C
K 15	1240	1240	1515	15	1000	-	930	200	1000	975	625	-	1700,0	246	103150C
K 20	1840	1840	1565	20	1600	-	1450	200	1000	975	625	-	2650,0	332	103200C
K 30	2340	2340	1865	30	2100	-	3220	250	1200	1175	800	-	5000,0	628	103300C
K 40	2740	2740	2320	40	2500	-	7480	250	1675	1650	800	-	6800,0	996	103400C
K 50	2740	2740	2520	50	2500	-	8460	250	1900	1875	800	-	7300,0	986	103500C

AQUAFIX® - K2BP Coalescence separator with double-bypass



	Length mm	Width mm	Height mm	max. ø Flow l/s	Sepe- rator mm	sludge trap capa- city l	sepa- rator capa- city l	DN in-/ outlet mm	HE H inlet mm	HA H outlet mm	DNE man- hole 1	DNE man- hole 2	Weight mm	storage capa- city l	Item No.
K2BP 20	2740	2740	2320	200	2500	-	5449	400	1300	1275	625	-	6800,0	1227	174020C
K2BP 40	2740	2740	2520	400	2500	-	6185	500	1450	1425	625	-	7300,0	1227	174040C
K2BP 60	2740	2740	2820	600	2500	-	6921	600	1600	1575	625	-	7750,0	1227	174060C

AQUAFIX® STEEL „G“

AQUAFIX® STEEL „K“

AQUAFIX® CONCRETE

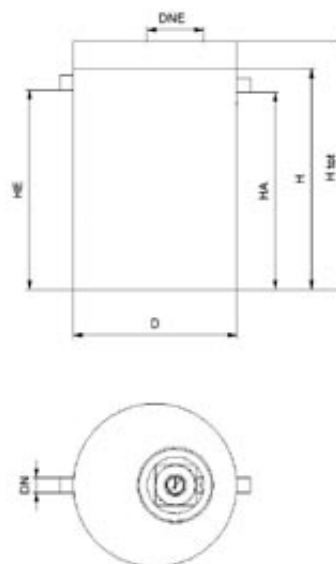
AQUAFIX® „10 PE“

AQUAFIX® „PP“

INSTALLATION
INSTRUCTIONS

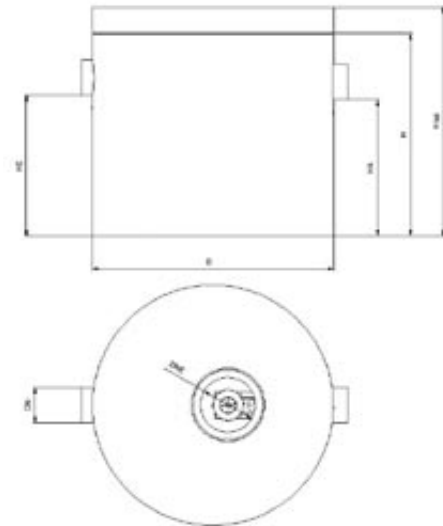
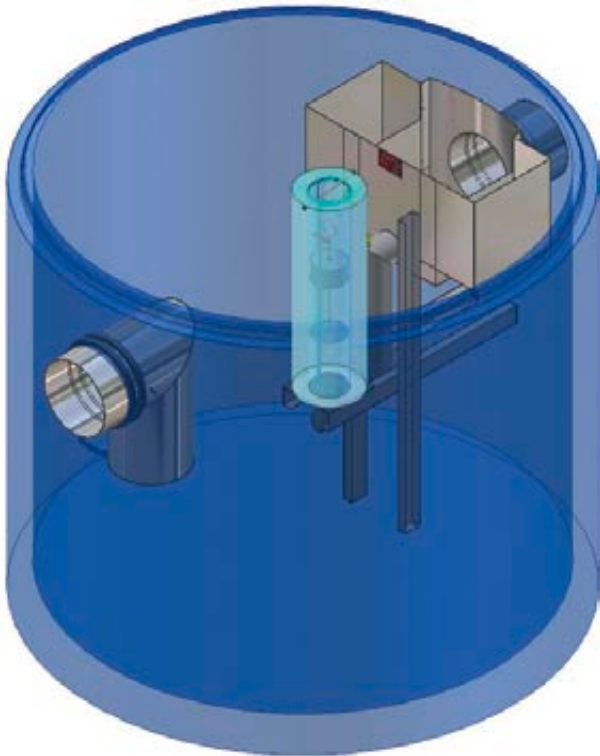
AQUAFIX® Separators from concrete - Series C

AQUAFIX® - SK Coalescence separator with sludge trap



	Length mm	Width mm	Height mm	max. ϕ Flow l/s	Sepe- rator mm	sludge trap capa- city l	sepa- rator capa- city l	DN in-/ outlet mm	HE H inlet mm	HA H outlet mm	DNE man- hole 1	DNE man- hole 2	Weight mm	storage capa- city l	Item No.
SK 04/0650 H	1240	1240	2115	4	1000	650	575	150	1750	1725	625	-	2300,0	157	176043C
SK 06-10/2500 H	1840	1840	2665	10	1600	2385	1166	150	2200	2175	625	-	4200,0	353	176105C
SK 06-10/5000 AIO	2740	2740	2420	10	2500	4906	3557	150	1895	1870	625	-	7050,0	1011	176107C
SK15/3000 AIO	2740	2740	2420	15	2500	2944	5029	200	1875	1800	625	-	7050,0	1011	176155C
SK 15/5000 AIO	2740	2740	2720	15	2500	4906	4538	200	2125	2100	625	-	7750,0	1011	176157C
SK 20/4000 AIO	2740	2740	2720	20	2500	3925	5520	200	2125	2100	625	-	7750,0	1070	176204C
SK 30/3000 AIO	2740	2740	2420	30	2500	2944	5029	250	1800	1775	800	-	7050,0	1079	176305C
SK 40/4000 AIO	2740	2740	2920	40	2500	3925	6746	250	2350	2325	800	-	8250,0	1104	176406C
SK 50/3000 AIO	2740	2740	2920	50	2500	2944	7727	250	2350	2325	800	-	8250,0	1128	176505C

AQUAFIX® - SK2BP Coalescence separator with sludge trap and double-bypass



	Length mm	Width mm	Height mm	max. \varnothing Flow l/s	Sepe- rator mm	sludge trap capa- city l	sepa- rator capa- city l	DN in-/ outlet mm	HE H inlet mm	HA H outlet mm	DNE man- hole 1	DNE man- hole 2	Weight mm	storage capa- city l	Item No.
--	--------------	-------------	--------------	-----------------------------------	----------------------	--------------------------------------	--------------------------------------	-------------------------	---------------------	----------------------	-----------------------	-----------------------	--------------	-------------------------------	-------------

SK2BP 10/1000	2740	2740	2620	100	2500	3313	3595	400	1600	1550	625	-	7300,0	1011	175010C
SK2BP 15/1500	2740	2740	2820	150	2500	3313	4541	400	1800	1750	625	-	7750,0	1227	175015C

AQUAFIX® STEEL „G“

AQUAFIX® STEEL „K“

AQUAFIX® CONCRETE

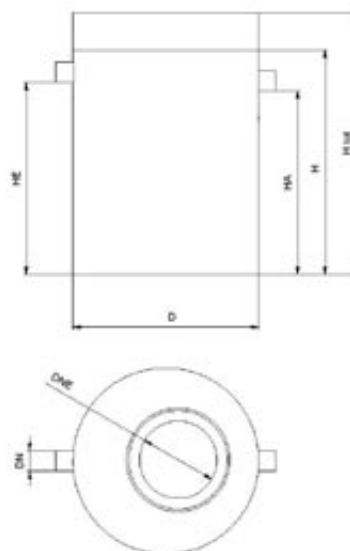
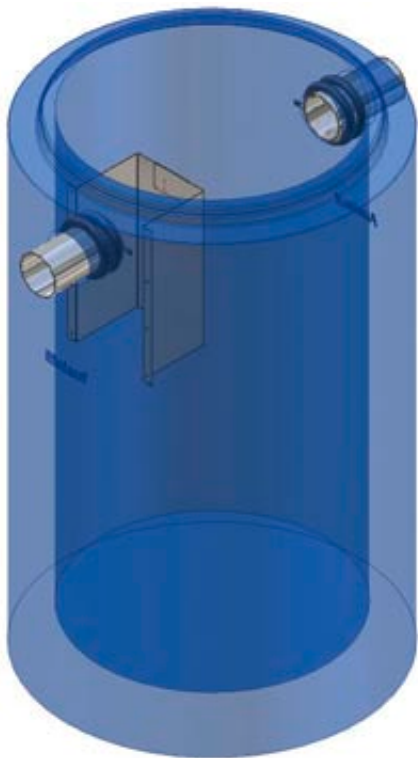
AQUAFIX® „10 PE“

AQUAFIX® „PP“

INSTALLATION
INSTRUCTIONS

AQUAFIX® Separators from concrete - Series C

AQUAFIX® - S Sludge trap



	Length mm	Width mm	Height mm	max. \varnothing Flow l/s	Sepe- rator mm	sludge trap capa- city l	sepa- rator capa- city l	DN in-/ outlet mm	HE inlet mm	H outlet mm	HA mm	DNE man- hole 1	DNE man- hole 2	Weight mm	storage capa- city l	Item No.
S 0650/03	1240	1240	1715	-	1000	650	-	100	1275	1225	625	-	1900,0	-	101043C	
S 1300/03	1840	1840	1165	-	1600	1300	-	100	1350	1300	625	-	2300,0	-	101064C	
S 10/02500	1840	1840	1865	-	1600	2500	-	150	1650	1625	625	-	3400,0	-	101105C	
S 3500/10	1840	1840	2365	-	1600	3500	-	150	1200	1150	625	-	4200,0	-	101106C	
S 5000/10	2340	2340	1965	-	2100	5000	-	150	1700	1650	625	-	4900,0	-	101107C	
S 7500/10	2740	2740	2320	-	2500	7500	-	150	1870	1820	625	-	6750,0	-	101108C	
S 10000/10	2740	2740	2920	-	2500	10000	-	150	2500	2450	625	-	7250,0	-	101109C	
S 20/02500	1840	1840	1865	-	1600	2500	-	200	1600	1575	625	-	7700,0	-	101205C	
S 5000/20	2340	2340	1965	-	2100	5000	-	200	1650	1600	625	-	4900,0	-	101207C	
S 8000/20	2740	2740	2520	-	2500	8000	-	200	1900	1850	625	-	6750,0	-	101208C	
S 10000/20	2740	2740	2920	-	2500	10000	-	200	2400	2350	625	-	7250,0	-	101209C	
S 5000/30	2340	2340	1965	-	2100	5000	-	250	1600	1550	625	-	4900,0	-	101307C	
S 7500/30	2740	2740	2320	-	2500	7500	-	250	1770	1720	625	-	6750,0	-	101308C	
S 10000/30	2740	2740	2920	-	2500	10000	-	250	2400	2350	625	-	7250,0	-	101309C	

1

AQUAFIX® STEEL „G“

AQUAFIX® STEEL „K“

AQUAFIX® CONCRETE

AQUAFIX® „10 PE“

AQUAFIX® „PP“

**INSTALLATION
INSTRUCTIONS**

AQUAFIX® SEPARATORS

INSTALLATION INSTRUCTIONS

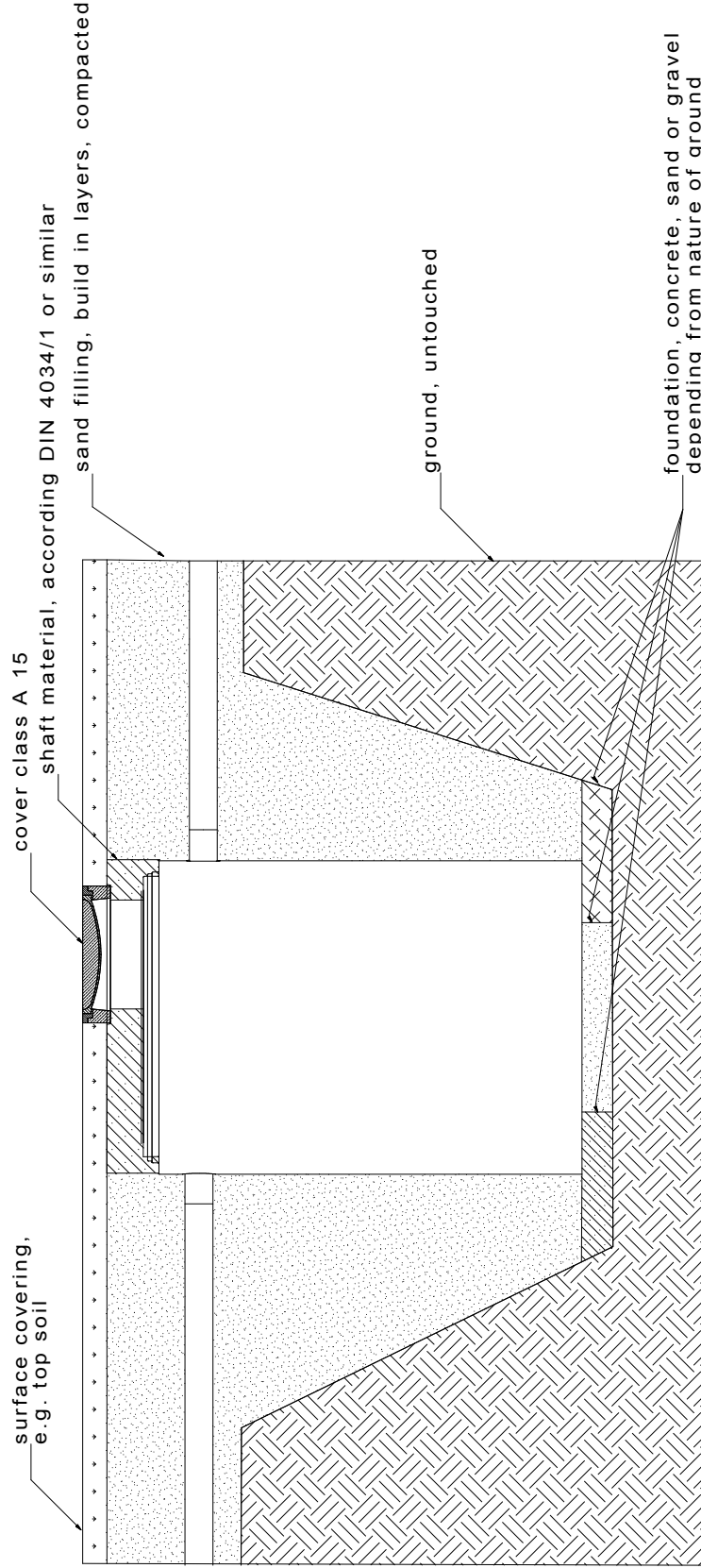
SEPARATORS SERIES MADE OF CONCRETE (H/P/C)

INSTALLATION ADVISES FOR AQUAFIX® SEPARATORS SERIES MADE OF CONCRETE (H/P/C)

1. Please check completeness of delivery. Note any missing parts or transit damage that has occurred on the delivery note immediately. Complaints that are received later will not be entertained. Otherwise our general terms and conditions apply.
 2. The separator system must be installed in a location outside the washing areas where it will not overflow or back up, as close as possible to the location where the waste water occurs. It must also be in the open, frost-free and easily accessible for cleaning vehicles. The drains and pipes must be able to drain until empty.
 3. The base of the excavation must be level. If no suitable soil is available, create a 10 cm thick bed of sand and fine gravel and compress. If the ground is non-load bearing, make a statically measured foundation slab. Put a 10 cm compensation layer of sand onto the foundation slab.
 4. Take thickness of foundation and compensation layer into consideration during height measurements. Pay attention to height information in installation drawing.
 5. The tanks must be installed in a level position.
- Do not confuse the inlet with the outlet! Adhere to order of tanks! Maintain slope! Recommended total incline of system 2 - 5%!**
6. Install system so that top edge is higher than final admission point.
 7. Manual transport on side can be done easily with steel bars which can be put through the holes of the outer stop rings.
 8. Arrange maintenance shaft at outlet side such that all separator areas are accessible and the floats and the coalescence insert can be removed if necessary.
 9. Ensure that the seals are correctly seated! Please use an adequate quantity of antiseize agent. It is advisable to offset the relative positions of the shaft elements in mortar or using hose bearings.
 10. The distance between the individual elements should be 60 - 100 cm.
 11. Ensure that pipelines are connected without leaks.
 12. Fill all tanks with fresh water before filling and check for leaks. **This leak test is mandatory!**
 13. Do not alter positions of tanks and lines when filling and compressing with sand. Please pay attention to the provided drawing.
 14. When all tanks, covering plates, tops and covers and connecting pipes have been correctly located, **the system must be cleaned.**
 15. When filling light liquid separators with fresh water, hold float in raised position until it can float independently.
- Report start-up to the responsible authority. Pay attention to accident prevention regulations during installation!**

INSTALLATION DRAWING

Installation drawing separator from concrete walkable areas - loading capacity A 15



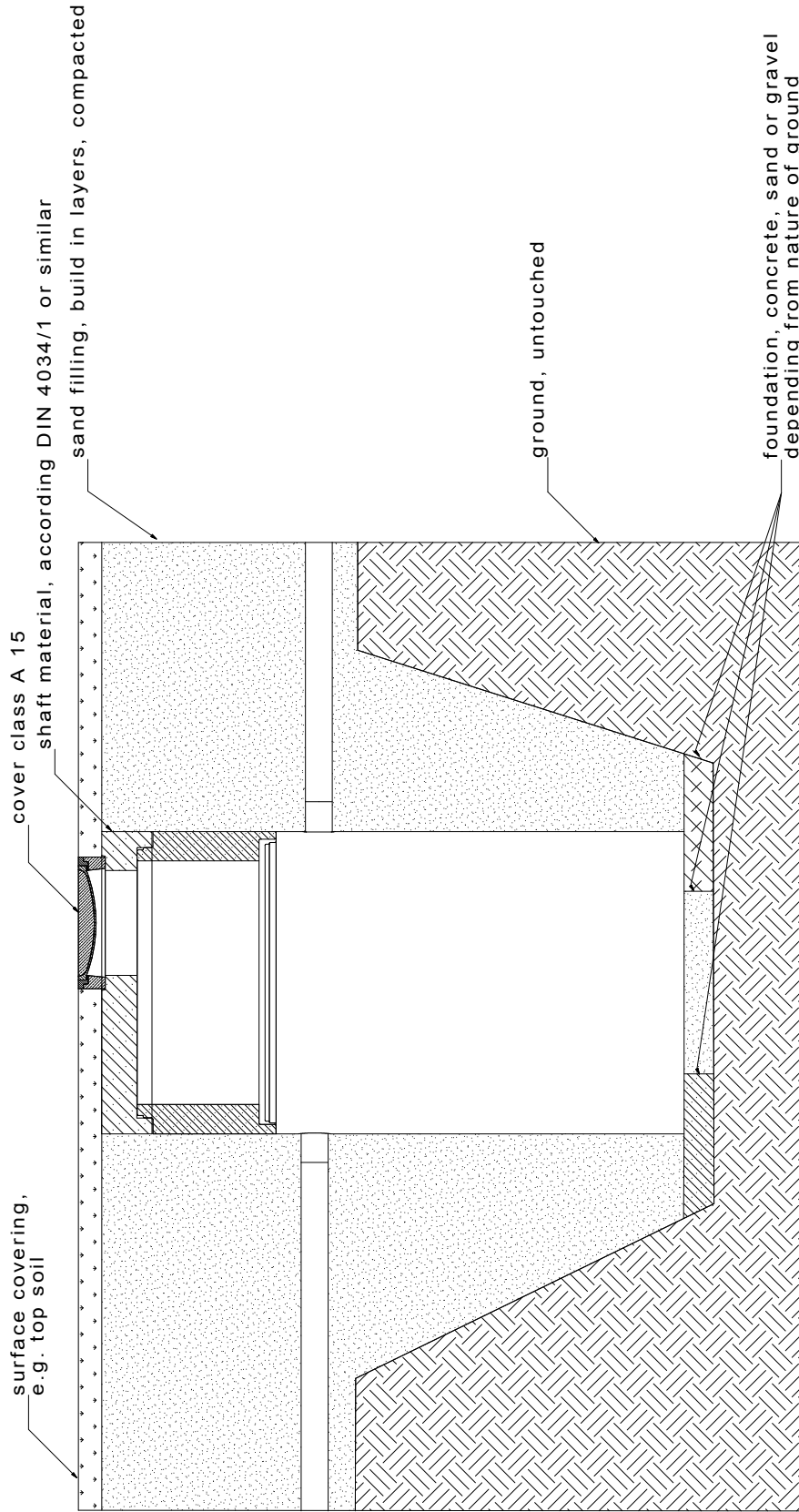
Installation at minor depth.
Separator is protected against buoyancy by itself.

hauraton
Einbauzeichnung B Kl. A
geringe Tiefe englisch

Ersellt: Coo	070725	AQUAFIX	Hauraton GmbH & Co KG
gezeichnet: im			Werksrasse 13
Coo	070725	veiglöbfern	11100 Pöchlarn
Coo	081208	Textänderungen	Tele +49 7222 958-0
			Fax +49 7222 958-100
			www.hauraton.com
			mail: export@hauraton.com

INSTALLATION DRAWING

Installation drawing separator from concrete
walkable areas - loading capacity A 15

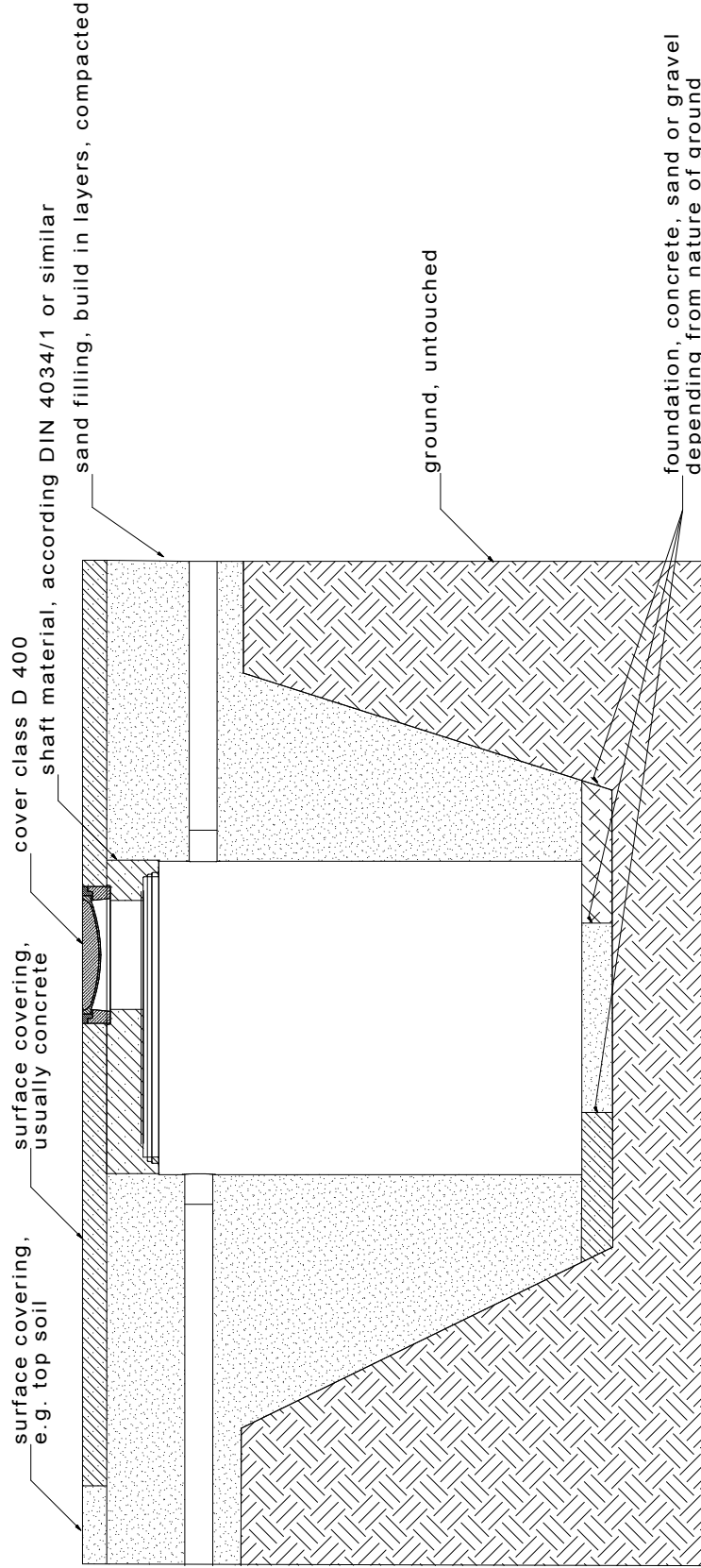


Installation at medium or major depth.
Separator is protected against buoyancy by itself.

hauraton	Einbauzeichnung B Kl. A mittlere bis große Tiefe englisch	
	Hauraton GmbH & Co KG Werkstrasse 13 D-70439 Stuttgart Tel. +49 7141 7222 958-0 Fax +49 7222 958-100 www.hauraton.com mail: export@hauraton.com	
Erstellt: Coe	070725	AQUAFIX
gezeichnet von:	07.07.25	vergrößern
Coe	08.12.08	Textänderungen

INSTALLATION DRAWING

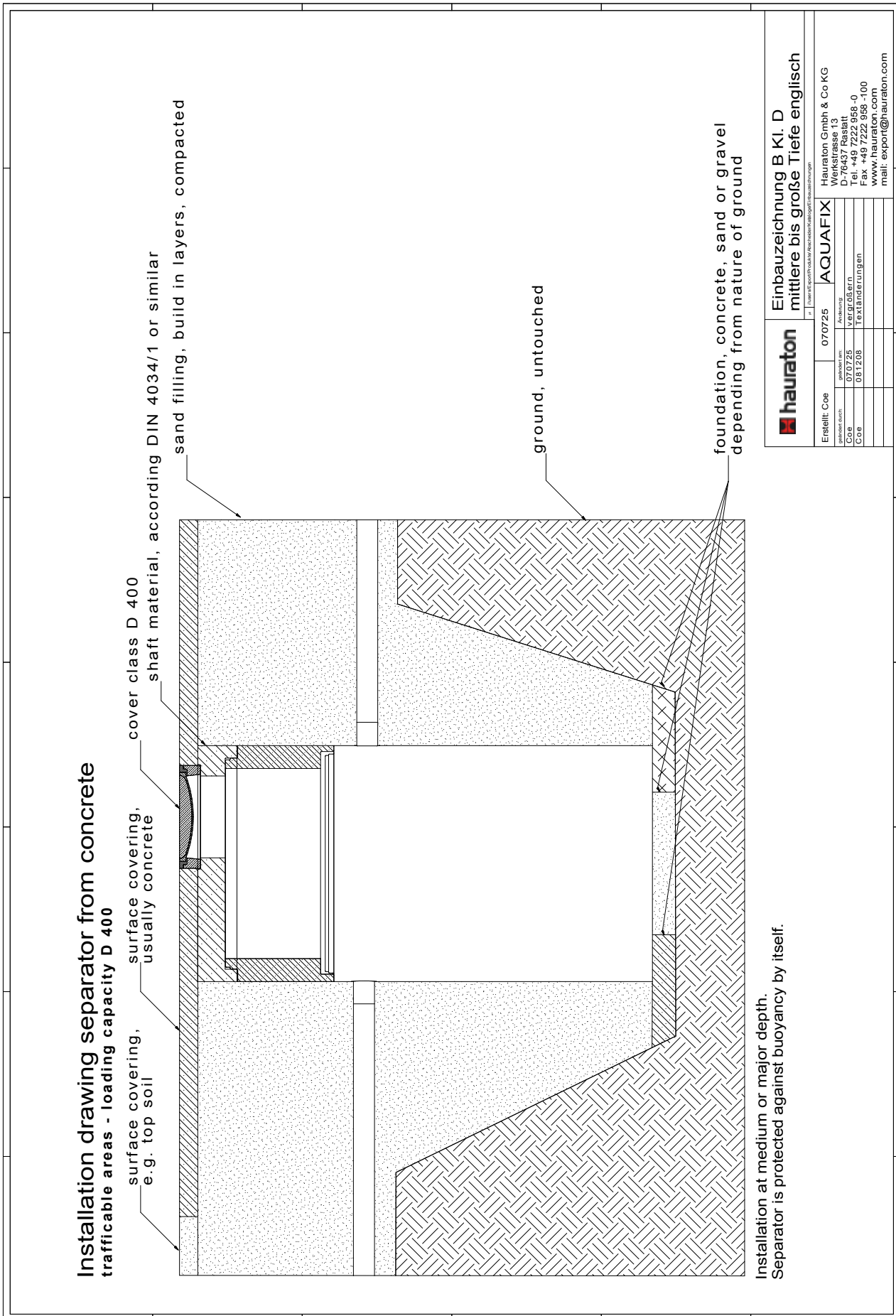
Installation drawing separator from concrete trafficable areas - loading capacity D 400



Installation at medium or major depth.
Separator is protected against buoyancy by itself.

hauraton		AQUAFIX	
Einbauzeichnung B Kl. D geringe bis mittlere Tiefe englisch			
Hauraton GmbH & Co KG Weikstrasse 13 40764 Hauraton Tel. +49 7222 958-0 Fax +49 7222 958-100 www.hauraton.com mail: export@hauraton.com			
Erstellt: Cee	070725	AQUAFIX	
gezeichnet: Cee	07.07.25	Vergrößern	
Code	081208	Textänderungen	
Cee			

INSTALLATION DRAWING



hauraton	Erstellt: Code	070725	AQUAFIX	Hauraton GmbH & Co KG
	geändert am:	07.07.25	Vergrößern	Waldstraße 10 D-76437 Reinhold
	Code	081208	Textänderungen	Tel +49 7222 958-0 Fax +49 7222 958-100
				www.hauraton.com mail: export@hauraton.com

Einbauzeichnung B Kl. D
 mittlere bis große Tiefe englisch

“

AQUAFIX® SEPARATORS

INSTALLATION INSTRUCTIONS

SEPARATORS SERIES MADE OF CONCRETE (H/P/C)

OPERATION AND MAINTENANCE OF AQUAFIX® LIGHT LIQUID SEPARATORS SERIES MADE OF CONCRETE (H/P/C)

□ Before start-up

1. Clean the entire system and remove mortar residue, soil etc. Remove lock during this operation and (if separator is a coalescence separator) remove the coalescence insert and replace them again afterwards.
2. Fill sludge trap and separator with fresh water. Attention! Always hold lock in raised position when filling, or replace when filling is complete.
3. Re-check tightness of joints in the system.

□ Operation

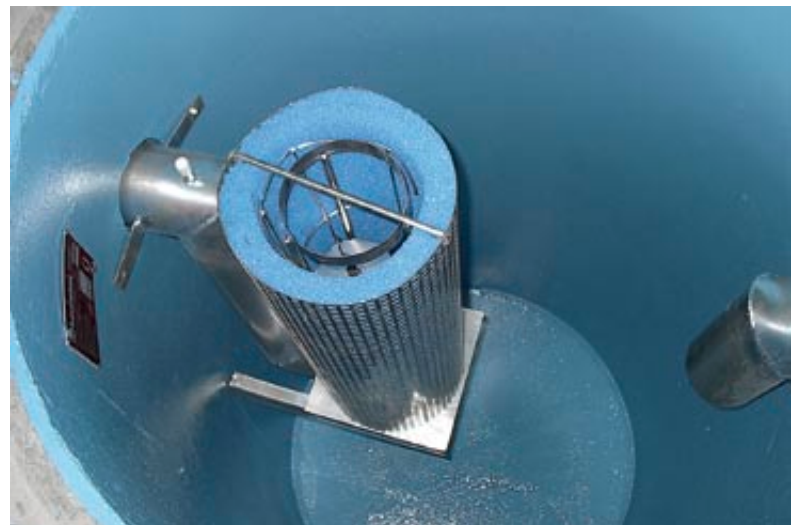
As well as the maintenance guide, the following regulations must be observed for the entire system:

- DIN 1986 (Land drainage systems)
- DIN 1999 (Light liquid separating systems)
- EN 858 (Light liquid separating systems)
- Local drainage statutes and other regulations

Only waste water that does not affect the intended operation of the separator must be led to the separating system. Emulsions and solvents (cold cleaners, drilling and cutting oils, water-soluble hydrocarbons etc.) must be kept away from the separating system and disposed off as special waste. Rainwater from surfaces for which the separating system is not intended and domestic waste water must not be led to the separating system. Do not remove coalescence insert during operation!

□ Disposal

Separating systems must be emptied at least every six months unless otherwise stipulated by the monitoring authority, but no later than when 85% of the storage capacity has been reached. The cleaning intervals must be shorter if the storage capacity of the separator or the sludge trap is exceeded. The operation of the equipment must not be interrupted.



The separated material must only be emptied, cleaned and taken away by authorised disposal companies.

The oil layer and water beneath it must be extracted first, preferably into separate tanks. The float and the lock must be cleaned and the operation thereof checked every time the equipment is emptied. Remove coalescence insert, clean the sludge trap, give damaged coalescence material to the disposal company and replace with new material. Re-insert the coalescence insert.

Every time that the equipment is emptied and cleaned, refill system with fresh water. Hold lock open by hand when doing this or insert it again afterwards. Use mobile ladders when climbing into the system. Extract vapour/air mixture beforehand.

□ Servicing

The separator system must be serviced at least every 6 months. The system may need to be emptied to do this. Carefully check operation of all parts of the system and inspect for damage. Then fill separator and sludge trap with fresh water, Hold lock open by hand or insert afterwards. **Pay attention to accident prevention regulations!**

OPERATION AND MAINTENANCE OF AQUAFIX® LIGHT LIQUID SEPARATORS SERIES MADE OF CONCRETE (H/P/C)

□ Before start-up

Clean the entire system and remove mortar residue, soil etc. Fill entire system with fresh water. Check joints of system for leaks.

□ Operation

As well as the maintenance guide, the following regulations must be observed for the entire system:

- DIN 1986 (Land drainage systems)
- DIN 1999 (Light liquid separating systems)
- EN 858 (Light liquid separating systems)
- Local drainage statutes and other regulations

Only waste water that does not affect the intended operation of the separator must be led to the separating system. Particularly domestic waste water and mineral light liquids must be kept away from the separating system, nor must rainwater be led to the separating system.

□ Disposal

1. The separating systems must be cleaned at least every 14 days more frequently if necessary. The cleaning intervals must be shorter if the storage capacity of the separator or the sludge trap is exceeded. The operation of the equipment must not be interrupted.
2. The separated material must only be emptied, cleaned and taken away by authorised disposal companies.
3. Every time that the equipment is emptied and cleaned, refill system with fresh water.
4. Use mobile ladders when climbing into the system. Extract vapour/air mixture beforehand. Pay attention to accident prevention regulations!

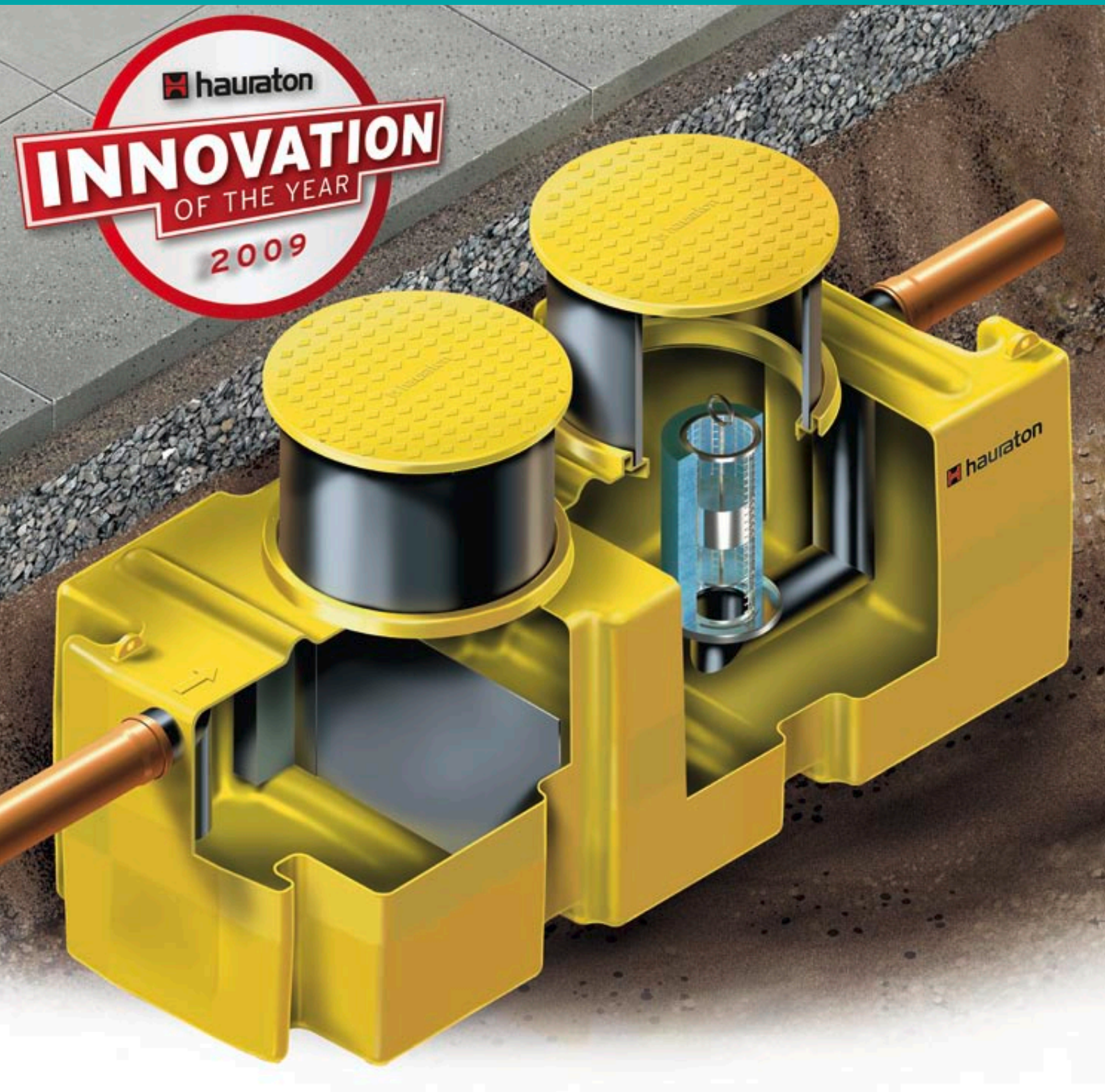
□ Servicing

The separator system must be serviced at least every 14 days. The system must be emptied and cleaned to do this. Carefully check operation of all parts of the system and inspect for damage. Then fill the system with fresh water. Pay attention to accident prevention regulations!



AQUAFIX® SEPARATORS

SERIES „10 PE” MADE OF POLYETHYLENE
LIGHT SOLUTIONS FOR STRONG REQUIREMENTS.



A photograph showing a person in a dark suit fueling a red sports car. The person's hand is on the roof of the car, and another hand is holding a blue fuel nozzle inserted into the car's fuel tank. The background is a bright, slightly blurred outdoor setting.

AT A GLANCE:

- ✓ 10 mm wall thickness for highest security
- ✓ optimised construction after FE-analysis
- ✓ pure, high quality raw material is used in the optimised production process

AQUAFIX® SEPARATORS

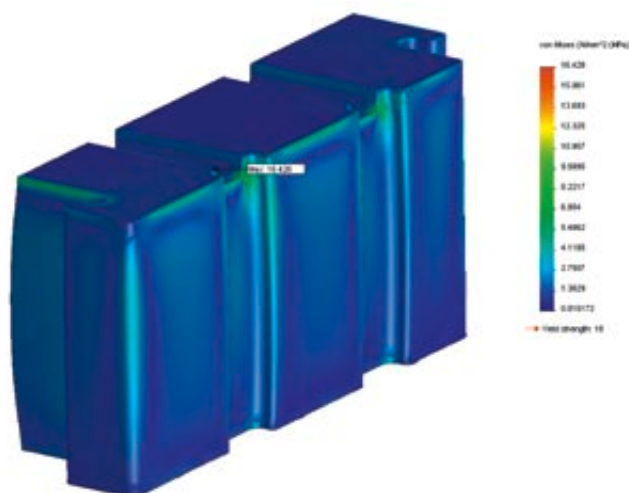
SERIES „10 PE“ MADE OF POLYETHYLENE
LIGHT SOLUTIONS FOR STRONG REQUIREMENTS.

FEATURES

- 10 mm wall thickness
- stop rings to handle
- computer aided design
- according standards EN 858 or EN 1825
- wide openings
- for light liquid separators:
 - automatic closing device easy to remove
 - coalescence cell easy to remove
 - sample taking device can be integrated

EXTENSIONS

Extension pipes in every length can be supplied.
Covers in class A or D available.

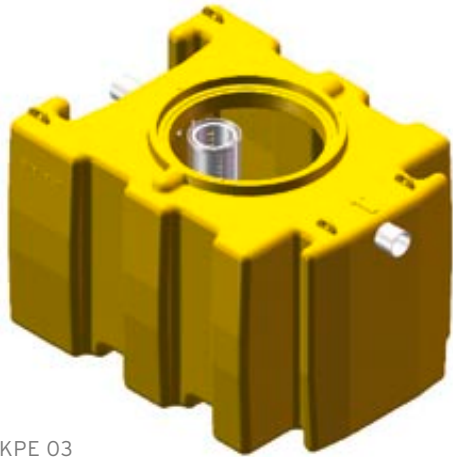


The construction of AQUAFIX 10 PE separators was done according detailed FE analysis. The combination of high quality material, optimised production process and at least 10 mm wall thickness quarantuees highest stability.

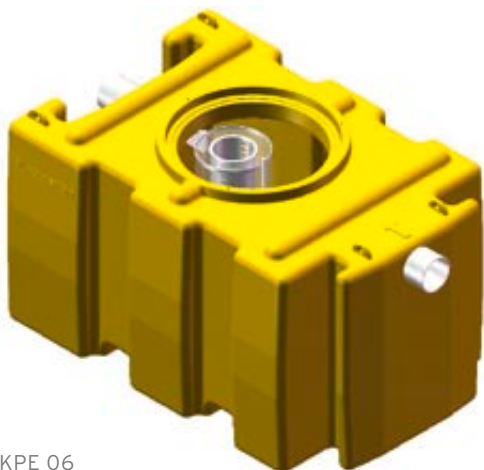
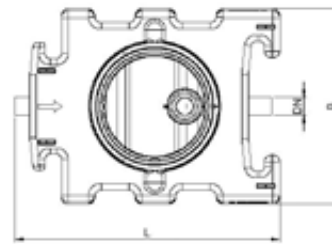
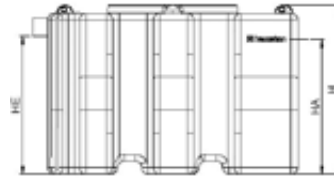


AQUAFIX® Separators from Polyethylene - Series P

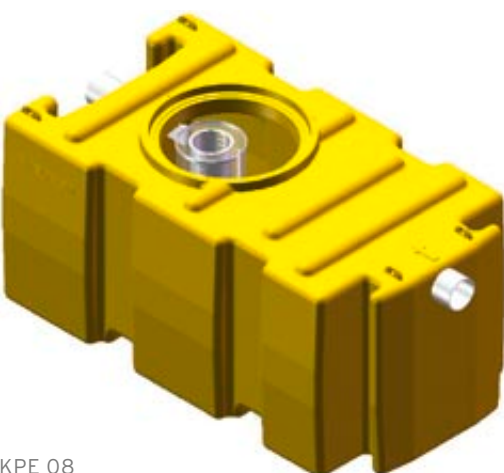
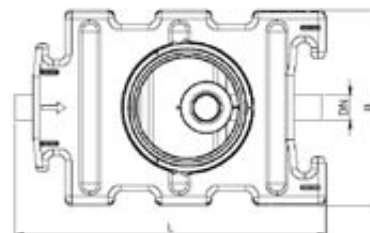
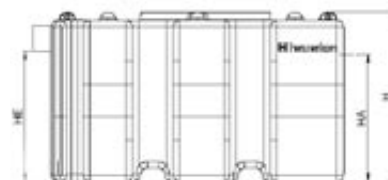
AQUAFIX®10 PE - KPE Coalescence separator



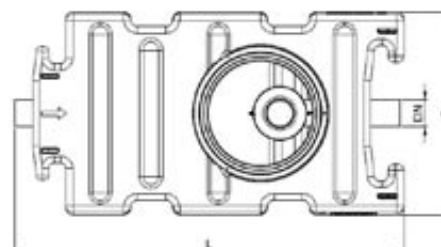
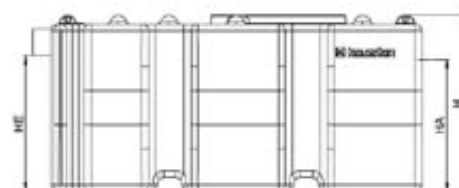
KPE 03



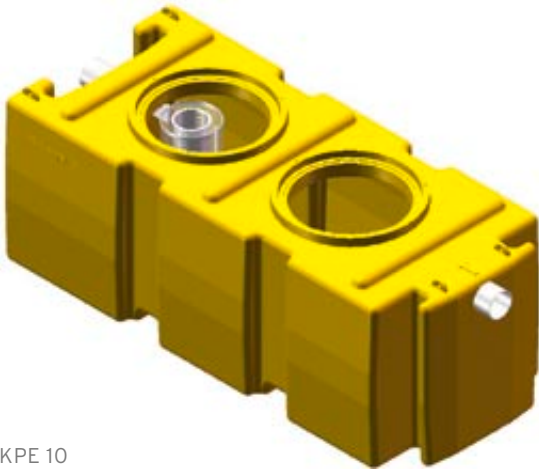
KPE 06



KPE 08



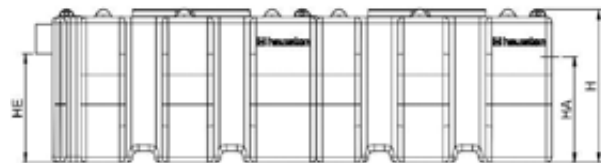
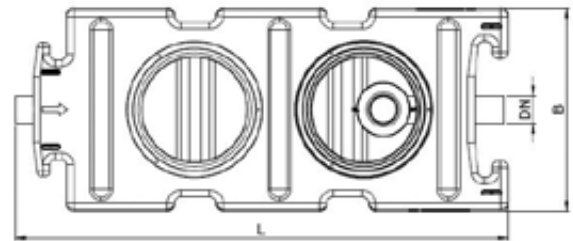
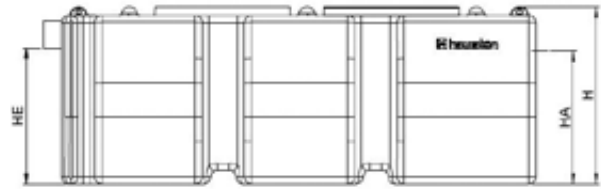
	Length mm	Width mm	Height mm	max. Flow l/s	ø Separator mm	sludge trap capacity l
KPE 03	1635	1200	1040	3	-	-
KPE 06	1810	1200	1040	6	-	-
KPE 08	2310	1200	1040	8	-	-
KPE 10	2910	1200	1040	10	-	-
KPE 15	3515	1200	1040	15	-	-



KPE 10



KPE 15



separator capacity l	DN in-/outlet mm	HE H inlet mm	HA H outlet mm	DNE manhole 1	DNE manhole 2	Weight kg	storage capacity l	Item No.
1270	110	850	830	700	-	107,0	153	83503P
1435	160	800	780	700	-	149,0	184	83506P
1810	160	800	780	700	-	167,0	232	83508P
2371	160	800	780	700	700	182,0	304	83510P
2650	200	740	720	700	700	241,0	368	83515P

AQUAFIX® STEEL „G“

AQUAFIX® STEEL „K“

AQUAFIX® CONCRETE

AQUAFIX® „10 PE“

AQUAFIX® „PP“

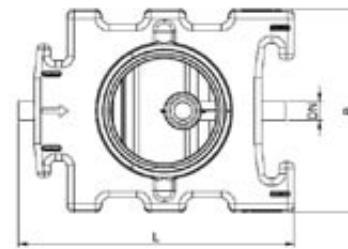
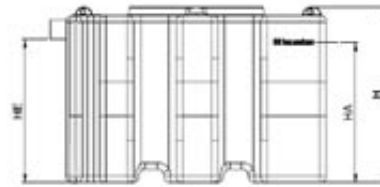
INSTALLATION
INSTRUCTIONS

AQUAFIX® Separators from Polyethylene - Series P

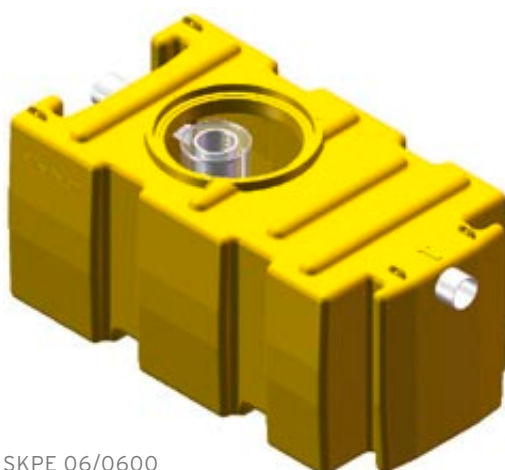
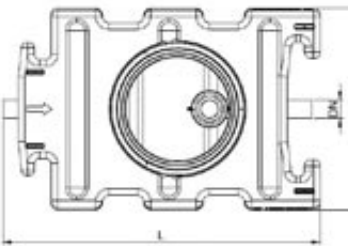
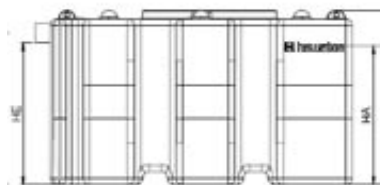
AQUAFIX®10 PE - SKPE Coalescence separator with sludge trap



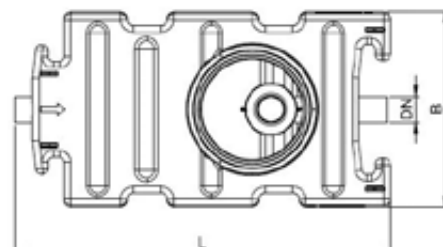
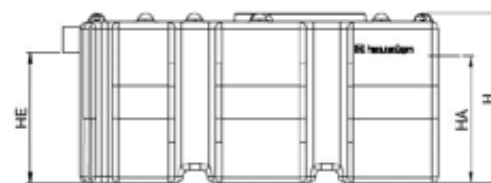
SKPE 01,5/0150



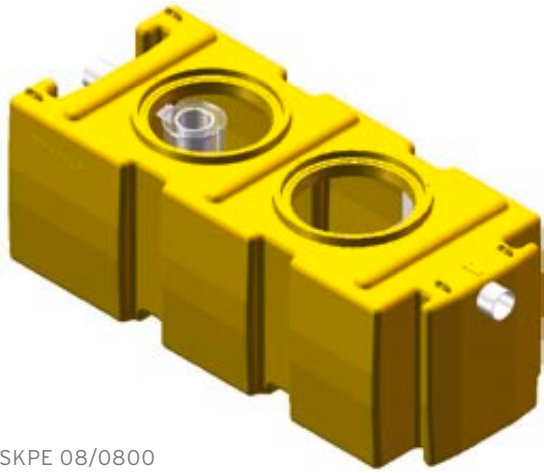
SKPE 03/0300



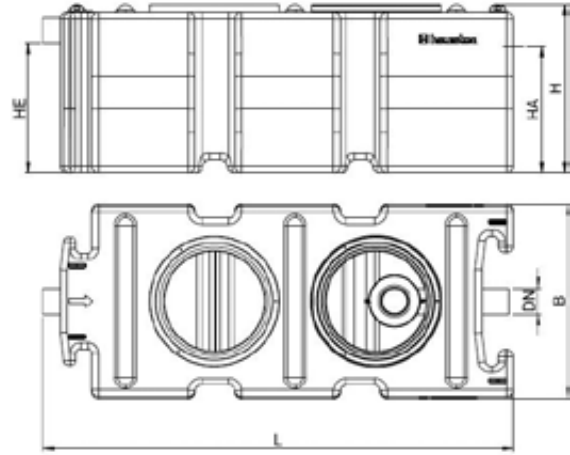
SKPE 06/0600



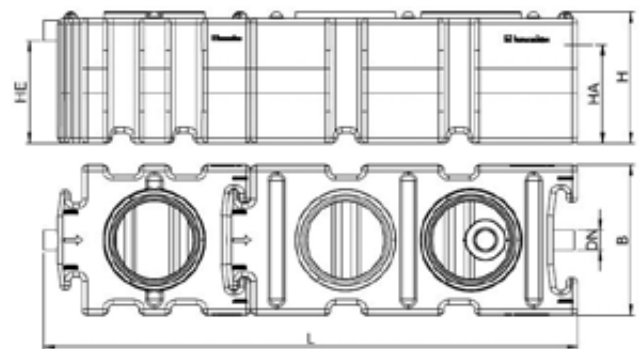
	Length mm	Width mm	Height mm	max. Flow l/s	ø Separator mm	sludge trap capacity l
SKPE 01,5/0150	1635	1200	1040	1	-	150
SKPE 03/0300	1910	1200	1040	3	-	300
SKPE 06/0600	2310	1200	1040	6	-	600
SKPE 08/0800	2910	1200	1040	8	-	800
SKPE 10/1000	4255	1200	1040	10	-	1000
SKPE 15/1500	4915	1200	1040	15	-	1500



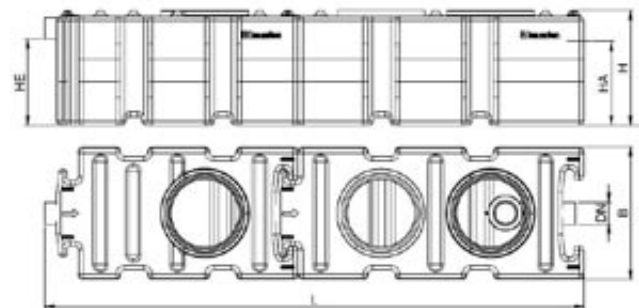
SKPE 08/0800



SKPE 10/1000



SKPE 15/1500



separator capacity l	DN in-/outlet mm	HE H inlet mm	HA H outlet mm	DNE manhole 1	DNE manhole 2	Weight kg	storage capacity l	Item No.
1120	110	850	830	700	-	116,0	153	84001P
1227	110	850	830	700	-	128,0	184	84003P
1210	160	800	780	700	-	176,0	232	84006P
1571	160	800	780	700	700	188,0	304	84008P
2565	160	810	780	700	700	280,0	457	84010P
2359	200	750	720	700	700	301,0	536	84015P

AQUAFIX® STEEL „G“

AQUAFIX® STEEL „k“

AQUAFIX® CONCRETE

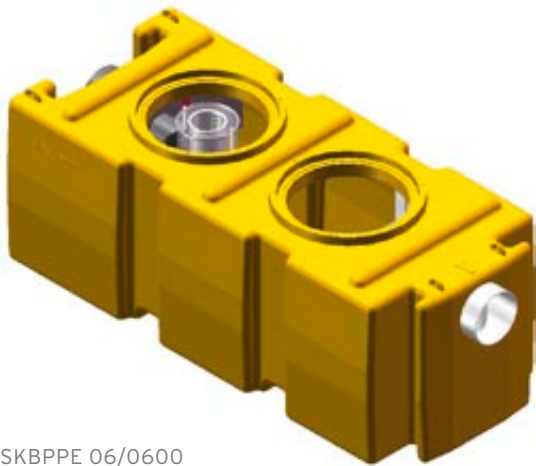
AQUAFIX® „10 PE“

AQUAFIX® „PP“

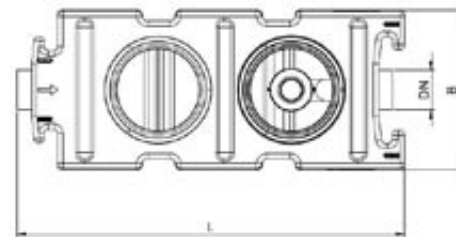
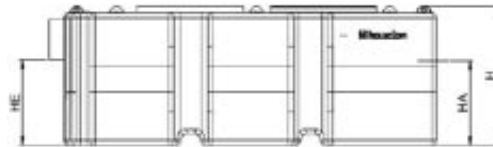
INSTALLATION
INSTRUCTIONS

AQUAFIX® Separators from Polyethylene - Series P

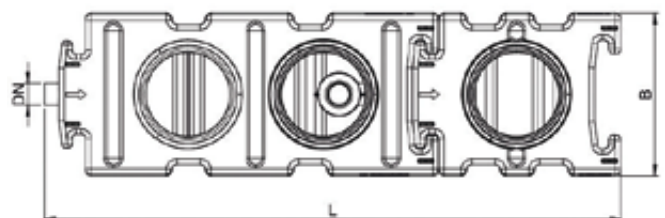
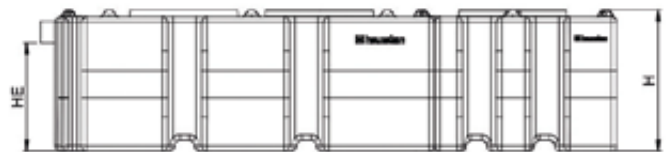
AQUAFIX®10 PE - SKBPPE Coalescence separator with sludge trap and bypass



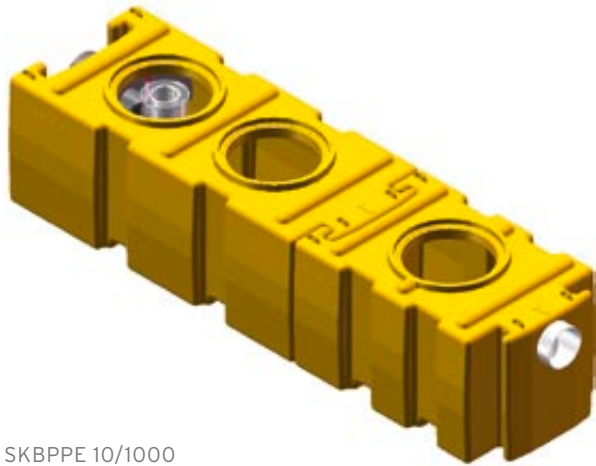
SKBPPE 06/0600



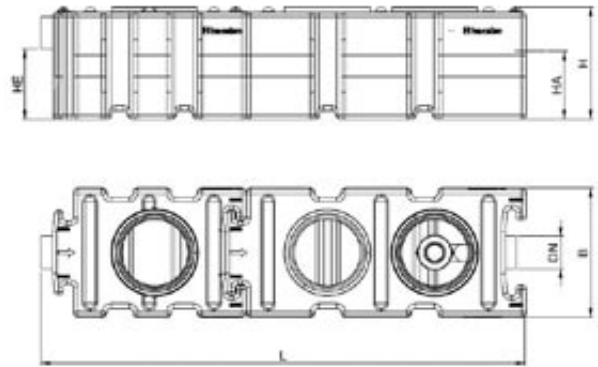
SKBPPE 08/0800



	Length mm	Width mm	Height mm	max. Flow l/s	ø Separator mm	sludge trap capacity l
SKBPPE 06/0600	2910	1200	1040	30	-	600
SKBPPE 08/0800	4255	1200	1040	40	-	800
SKBPPE 10/1000	4505	1200	1040	50	-	1000



SKBPPE 10/100



separator capacity l	DN in-/outlet mm	HE H inlet mm	HA H outlet mm	DNE manhole 1	DNE manhole 2	Weight kg	storage capacity l	Item No.
1315	300	633	623	700	700	203,0	304	86606P
2079	300	643	623	700	700	285,0	304	86608P
2074	300	643	623	700	700	297,0	488	86610P

AQUAFIX® STEEL „G“

AQUAFIX® STEEL „k“

AQUAFIX® CONCRETE

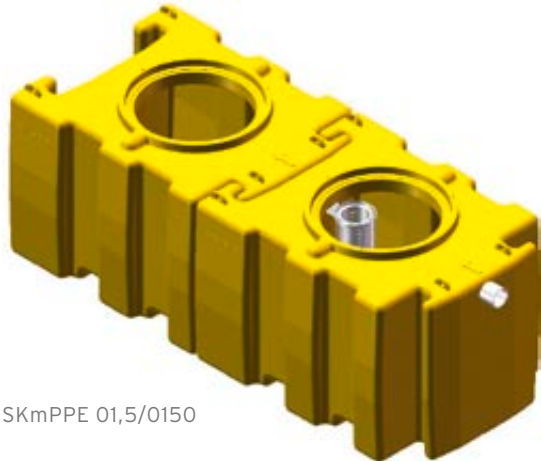
AQUAFIX® „10 PE“

AQUAFIX® „PP“

INSTALLATION
INSTRUCTIONS

AQUAFIX® Separators from Polyethylene - Series P

AQUAFIX®10 PE - SKmPPE Coalescence separator with sludge trap and pump chamber



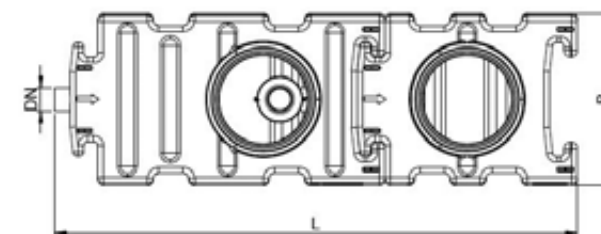
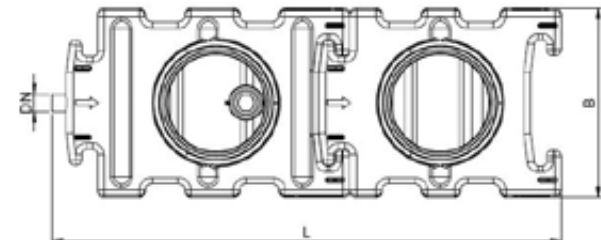
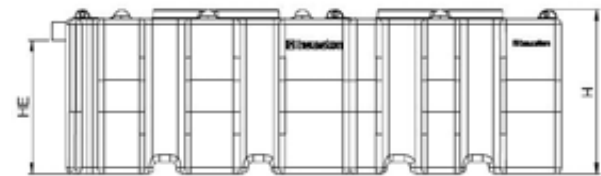
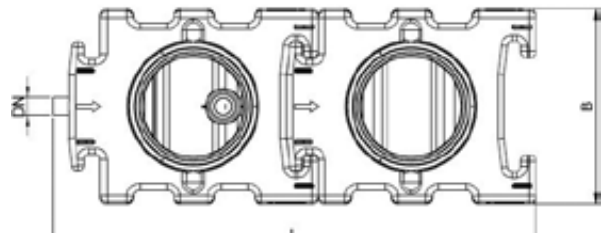
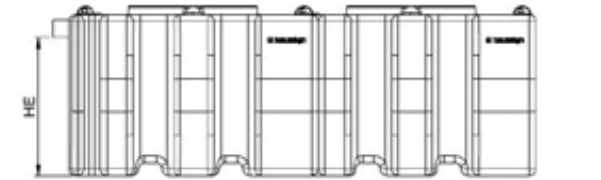
SKmPPE 01,5/0150



SKmPPE 03/0300



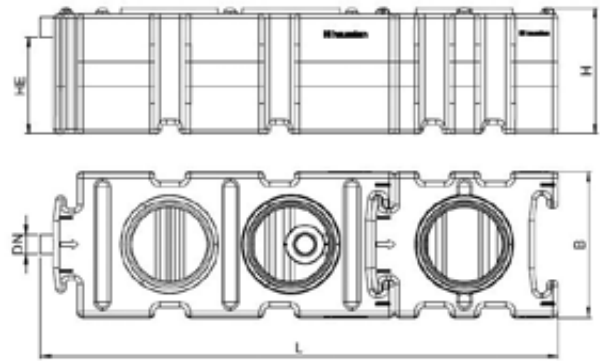
SKmPPE 06/0600



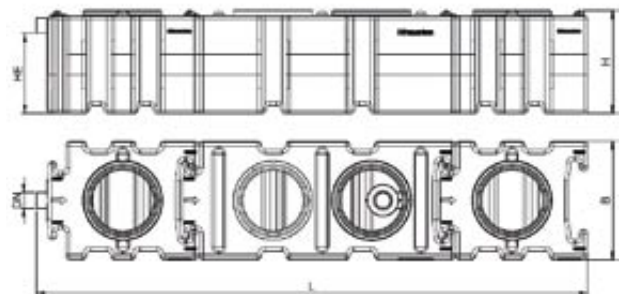
	Length mm	Width mm	Height mm	max. Flow l/s	ø Separator mm	sludge trap capacity l
SKmPPE 01,5/0150	2980	1200	1040	1	-	150
SKmPPE 03/0300	3240	1200	1040	3	-	300
SKmPPE 06/0600	3655	1200	1040	6	-	600
SKmPPE 08/0800	4255	1200	1040	8	-	800
SKmPPE 10/1000	5600	1200	1040	10	-	1000
SKmPPE 15/1500	6260	1200	1040	15	-	1500



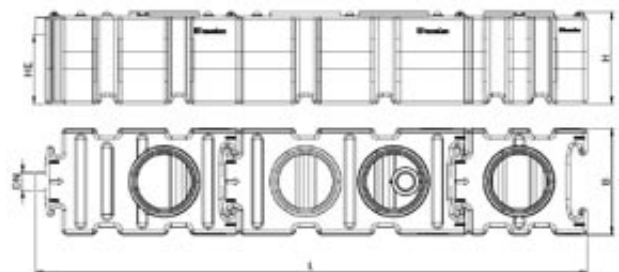
SKmPPE 08/0800



SKmPPE 10/1000



SKmPPE 15/1500



separator capacity l	DN in-/outlet mm	HE H inlet mm	HA H outlet mm	DNE manhole 1	DNE manhole 2	Weight kg	storage capacity l	Item No.
1120	110	850	830	700	700	205,0	153	84401P
1227	110	850	830	700	700	217,0	184	84403P
1210	160	800	780	700	700	265,0	232	84406P
1571	160	800	780	700	700	287,0	304	84408P
2565	160	810	780	700	700	369,0	457	84410P
2359	200	750	720	700	700	390,0	536	84415P

AQUAFIX® STEEL „G“

AQUAFIX® STEEL „k“

AQUAFIX® CONCRETE

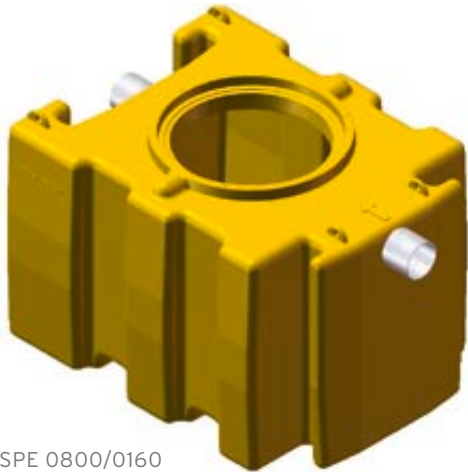
AQUAFIX® „10 PE“

AQUAFIX® „PP“

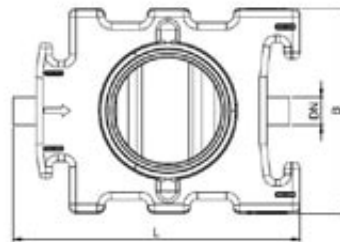
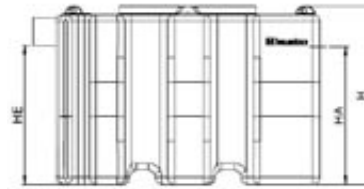
INSTALLATION
INSTRUCTIONS

AQUAFIX® Separators from Polyethylene - Series P

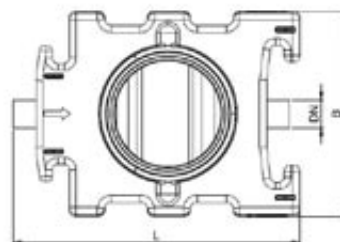
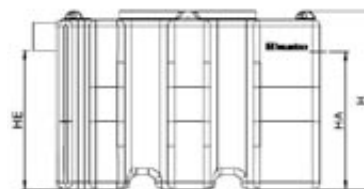
AQUAFIX®10 PE - SPE Sludge trap



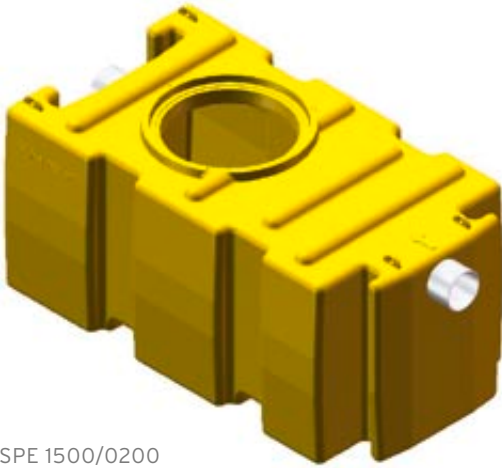
SPE 0800/0160



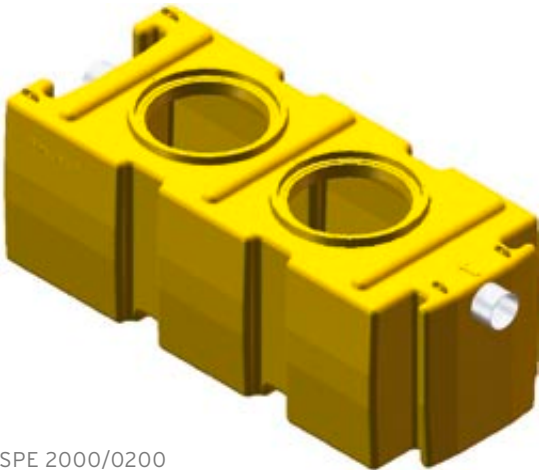
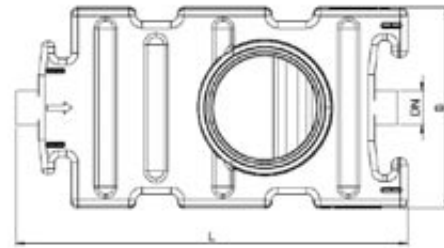
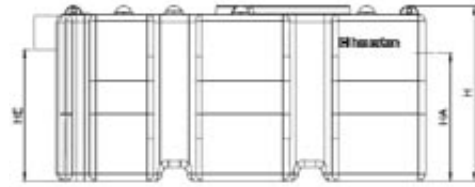
SPE 1000/0160



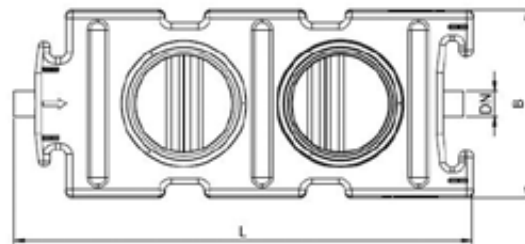
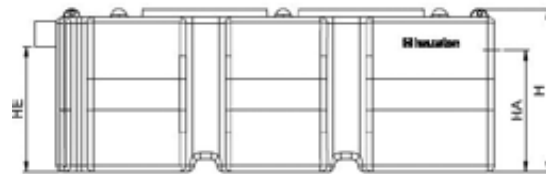
	Length mm	Width mm	Height mm	max. Flow l/s	ø Separator mm	sludge trap capacity l
SPE 0800/0160	1675	1200	1040	-	-	1224
SPE 1000/0160	1675	1200	1040	-	-	1224
SPE 1500/0200	2335	1200	1040	-	-	1717
SPE 2000/0200	2935	1200	1040	-	-	2250



SPE 1500/0200



SPE 2000/0200



separator capacity l	DN in-/outlet mm	HE H inlet mm	HA H outlet mm	DNE manhole 1	DNE manhole 2	Weight kg	storage capacity l	Item No.
-	160	810	800	700	-	92,0	-	84308P
-	160	810	800	700	-	92,0	-	84310P
-	200	750	740	700	-	122,0	-	84315P
-	200	760	740	700	700	145,0	-	84320P

AQUAFIX® STEEL „G“

AQUAFIX® STEEL „K“

AQUAFIX® CONCRETE

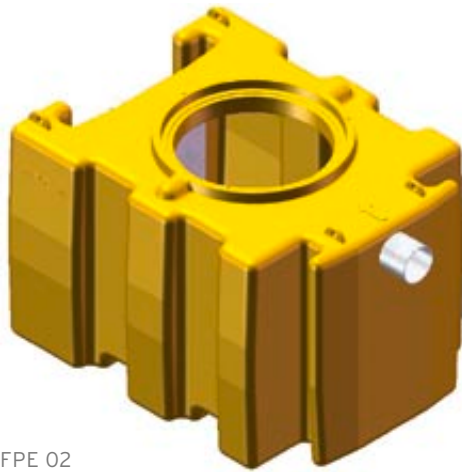
AQUAFIX® „10 PE“

AQUAFIX® „PP“

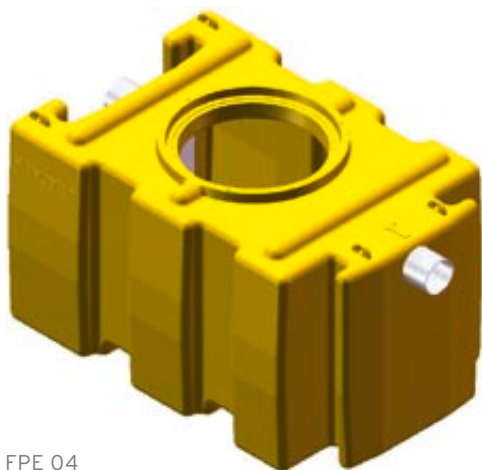
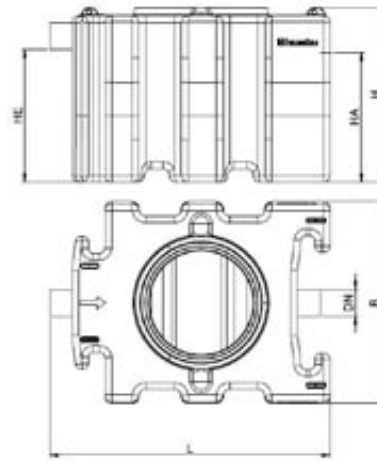
INSTALLATION
INSTRUCTIONS

AQUAFIX® Separators from Polyethylene - Series P

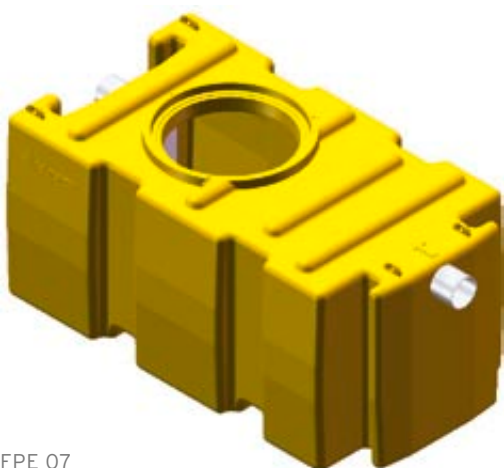
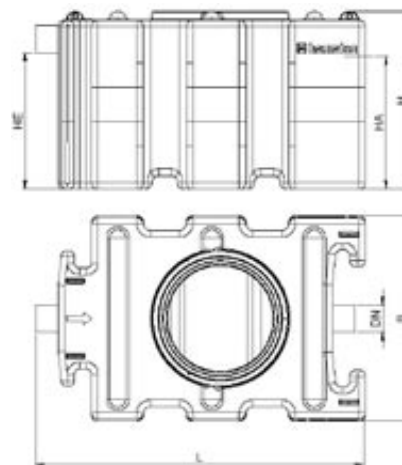
AQUAFIX®10 PE - FPE Grease separator



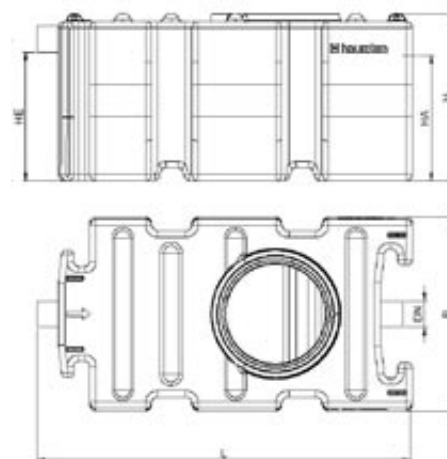
FPE 02



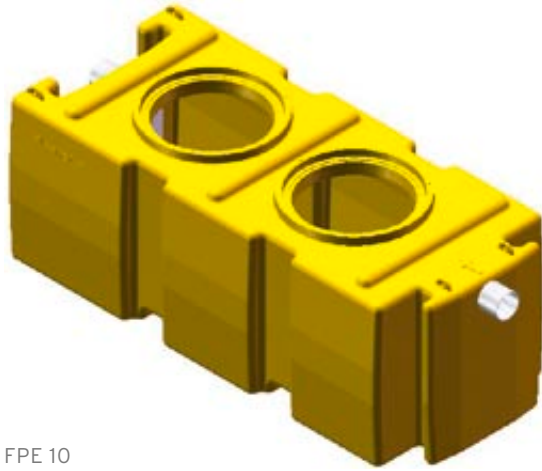
FPE 04



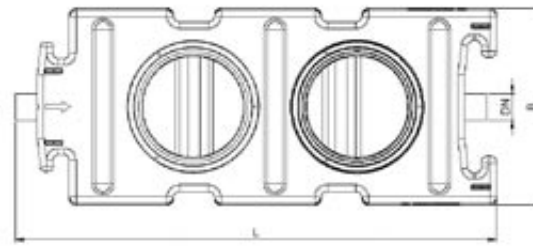
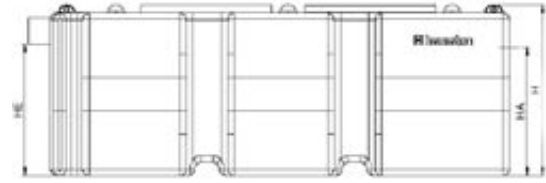
FPE 07



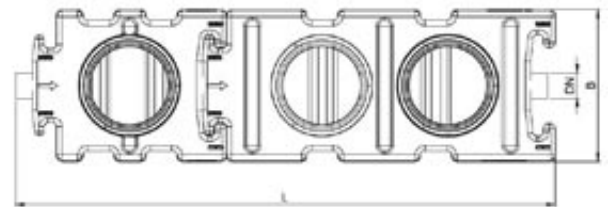
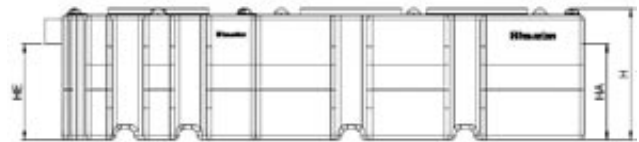
	Length mm	Width mm	Height mm	max. Flow l/s	Ø Separator mm	sludge trap capacity l
FPE 02	1675	1200	1040	2	-	-
FPE 04	1925	1200	1040	4	-	-
FPE 07	2330	1200	1040	7	-	-
FPE 10	2935	1200	1040	10	-	-
FPE 15	4280	1200	1040	15	-	-



FPE 10



FPE 15



separator capacity l	DN in-/outlet mm	HE H inlet mm	HA H outlet mm	DNE manhole 1	DNE manhole 2	Weight kg	storage capacity l	Item No.
1178	160	790	770	700	-	95,0	153	85002P
1435	160	800	780	700	-	107,0	184	85004P
1810	160	800	780	700	700	124,0	232	85007P
2371	160	800	780	700	700	141,0	304	85010P
3382	200	760	740	700	700	238,0	457	85015P

AQUAFIX® STEEL „G“

AQUAFIX® STEEL „K“

AQUAFIX® CONCRETE

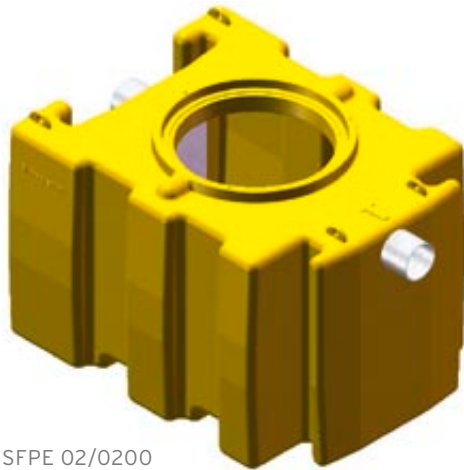
AQUAFIX® „10 PE“

AQUAFIX® „PP“

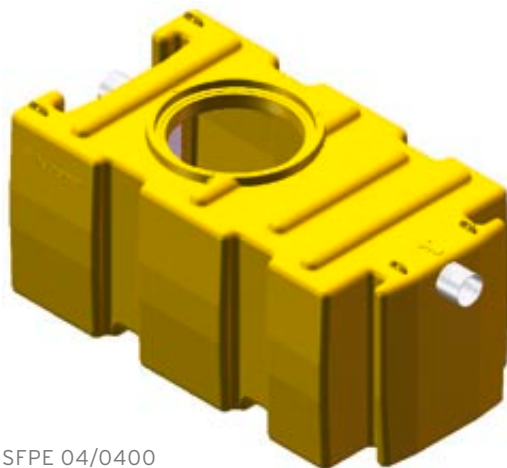
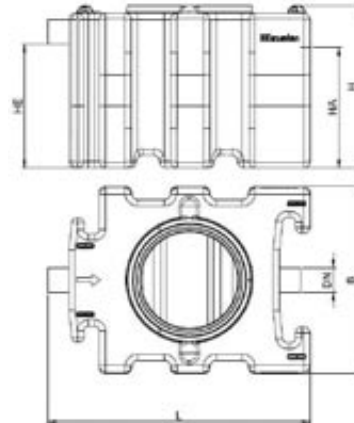
INSTALLATION
INSTRUCTIONS

AQUAFIX® Separators from Polyethylene - Series P

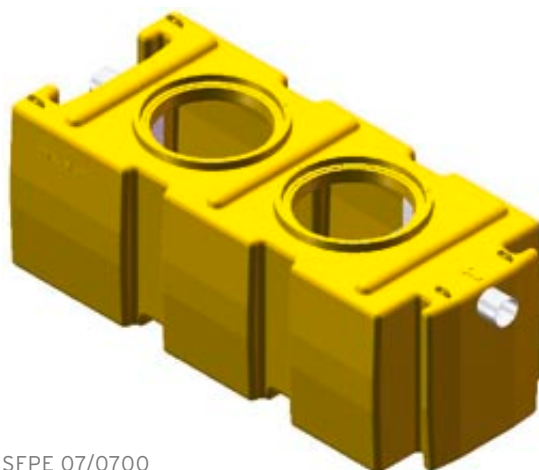
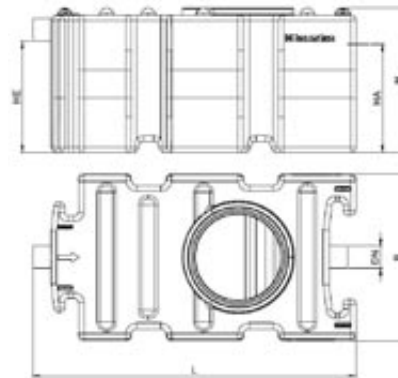
AQUAFIX®10 PE - SFPE Grease separator with sludge trap



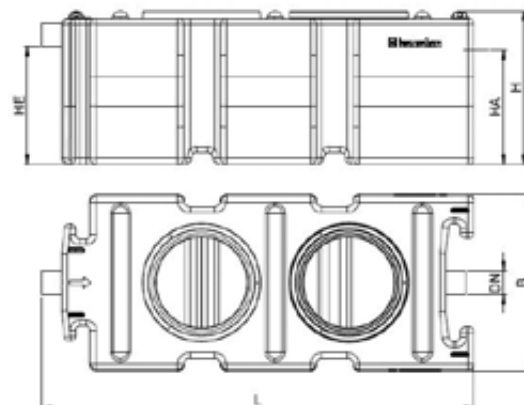
SFPE 02/0200



SFPE 04/0400



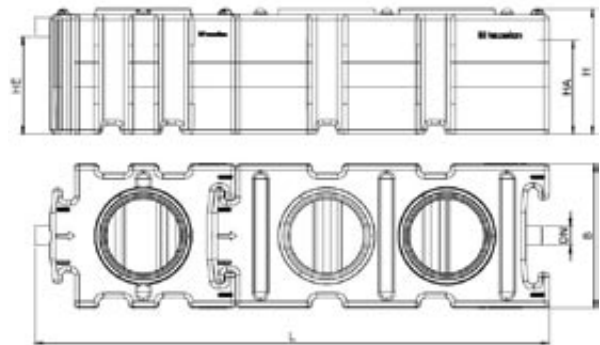
SFPE 07/0700



	Length mm	Width mm	Height mm	max. Flow l/s	ø Seperator mm	sludge trap capacity l
SFPE 02/0200	1675	1200	1040	2	-	200
SFPE 04/0400	2335	1200	1040	4	-	400
SFPE 07/0700	2935	1200	1040	7	-	700
SFPE 10/1000	4280	1200	1040	10	-	1000



SFPE 10/1000



separator capacity l	DN in-/outlet mm	HE H inlet mm	HA H outlet mm	DNE manhole 1	DNE manhole 2	Weight kg	storage capacity l	Item No.
993	160	800	780	700	-	103,0	153	85302P
1210	160	800	780	700	700	134,0	232	85304P
1671	160	800	780	700	700	156,0	304	85307P
2565	160	810	780	700	700	238,0	457	85310P

AQUAFIX® STEEL „G“

AQUAFIX® STEEL „K“

AQUAFIX® CONCRETE

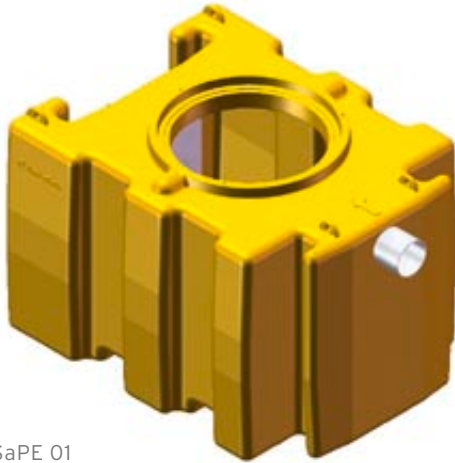
AQUAFIX® „10 PE“

AQUAFIX® „PP“

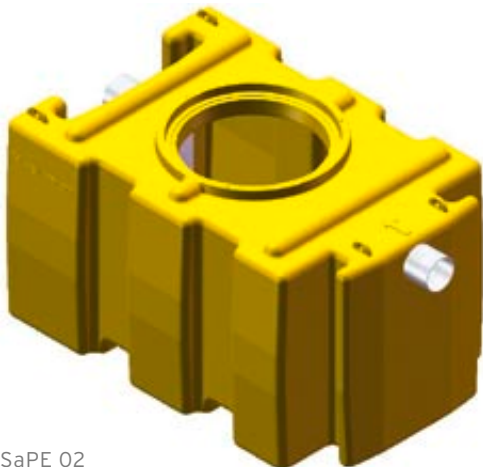
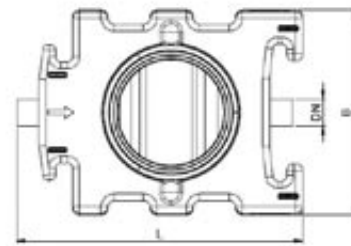
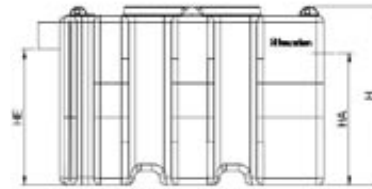
INSTALLATION
INSTRUCTIONS

AQUAFIX® Separators from Polyethylene - Series P

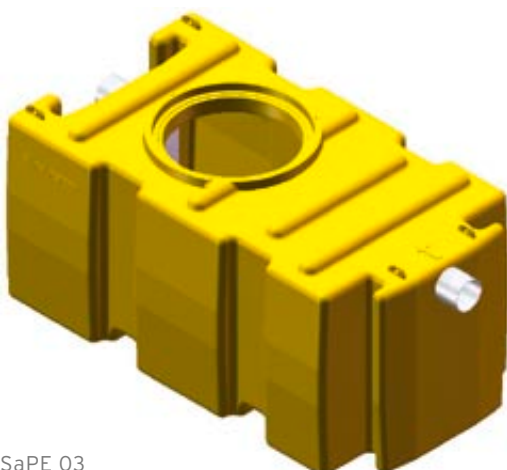
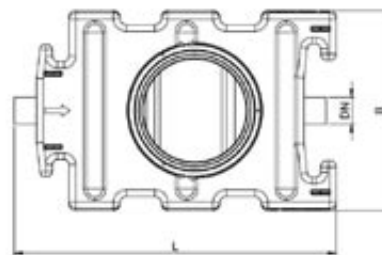
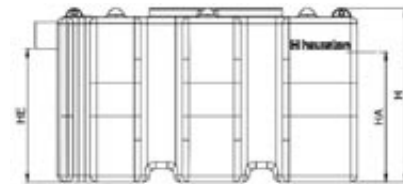
AQUAFIX®10 PE - SAPE Starch separator



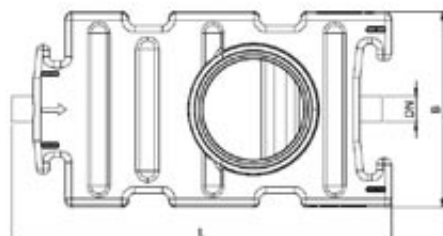
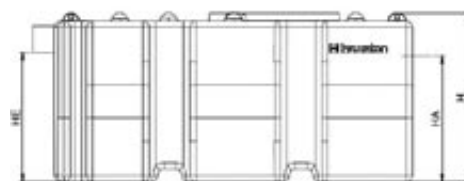
SaPE 01



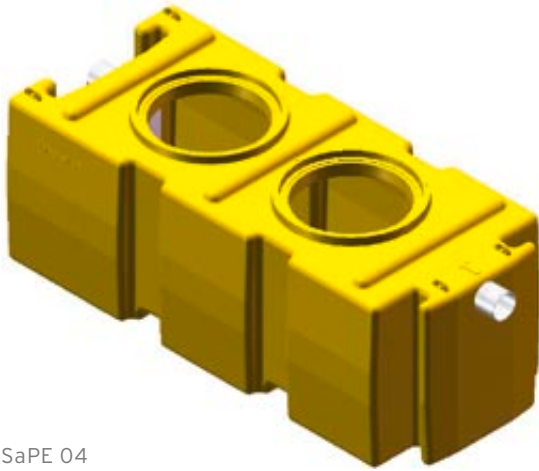
SaPE 02



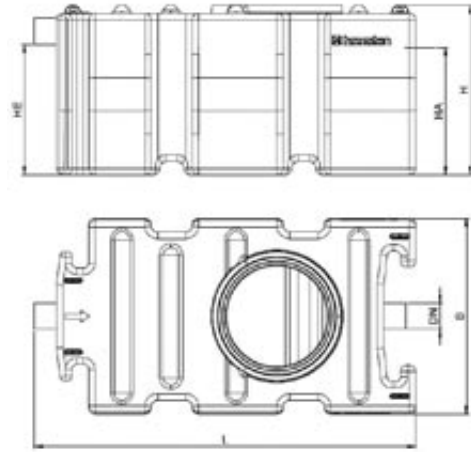
SaPE 03



	Length mm	Width mm	Height mm	max. Flow l/s	ø Separator mm	sludge trap capacity l
SaPE 01	1675	1200	1040	1	-	-
SaPE 02	1935	1200	1040	2	-	-
SaPE 03	2335	1200	1040	3	-	-
SaPE 04	2935	1200	1040	4	-	-



SaPE 04



separator capacity l	DN in-/outlet mm	HE H inlet mm	HA H outlet mm	DNE manhole 1	DNE manhole 2	Weight kg	storage capacity l	Item No.
1178	160	790	770	700	-	93,0	153	86201P
1435	160	800	780	700	-	102,0	184	86202P
1810	160	800	780	700	-	124,0	232	86203P
2371	160	800	780	700	700	145,0	304	86204P

AQUAFIX® STEEL „G“

AQUAFIX® STEEL „K“

AQUAFIX® CONCRETE

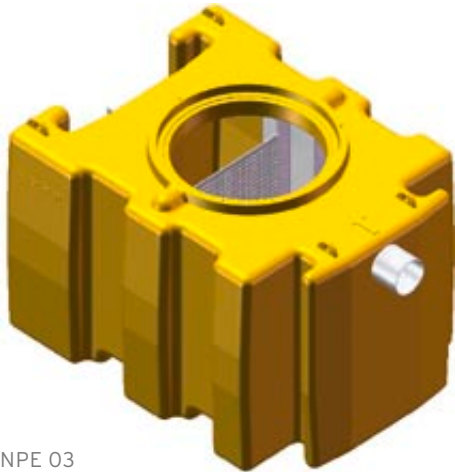
AQUAFIX® „10 PE“

AQUAFIX® „PP“

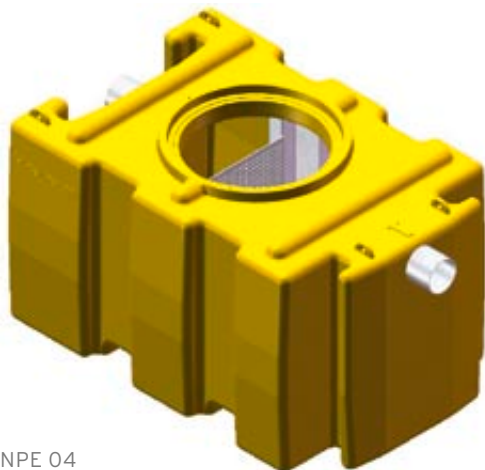
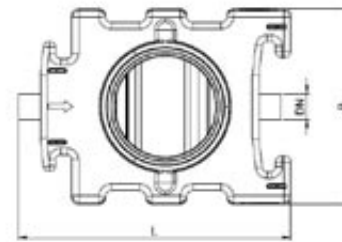
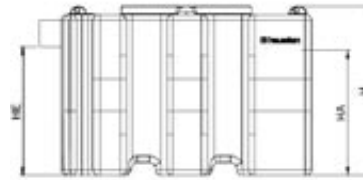
INSTALLATION
INSTRUCTIONS

AQUAFIX® Separators from Polyethylene - Series P

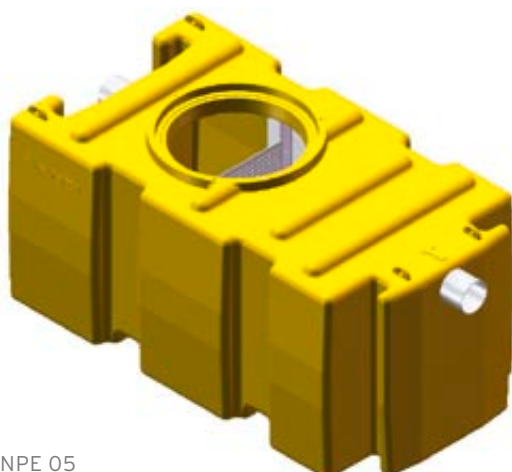
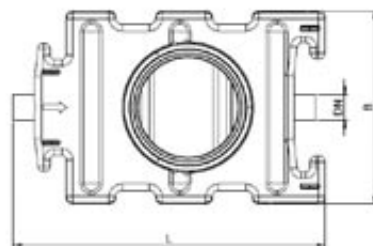
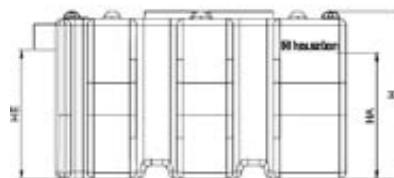
AQUAFIX®10 PE - NPE Battery acid neutraliser



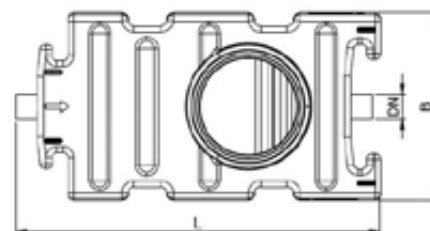
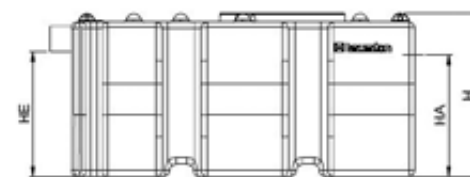
NPE 03



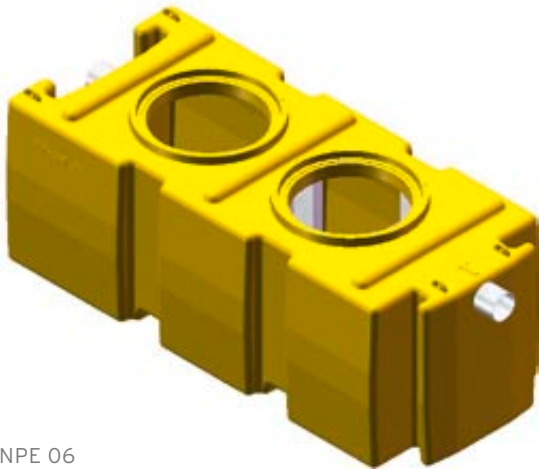
NPE 04



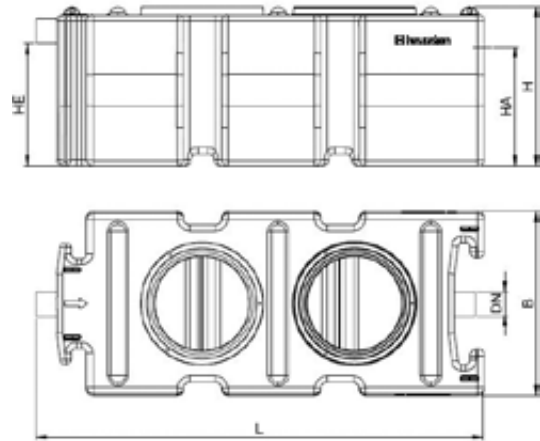
NPE 05



	Length mm	Width mm	Height mm	max. Flow l/s	ø Separator mm	sludge trap capacity l
NPE 03	1675	1200	1040	3	-	-
NPE 04	1935	1200	1040	4	-	-
NPE 05	2335	1200	1040	5	-	-
NPE 06	2935	1200	1040	6	-	-



NPE 06



AQUAFIX® STEEL „G“

AQUAFIX® STEEL „K“

AQUAFIX® CONCRETE

AQUAFIX® „10 PE“

AQUAFIX® „PP“

INSTALLATION
INSTRUCTIONS

separator capacity l	DN in-/outlet mm	HE H inlet mm	HA H outlet mm	DNE manhole 1	DNE manhole 2	Weight kg	storage capacity l	Item No.
1193	160	800	780	700	-	107,0	-	86903P
1435	160	800	780	700	-	119,0	-	86904P
1810	160	800	780	700	-	137,0	-	86905P
2371	160	800	780	700	700	160,0	-	86906P

AQUAFIX® SEPARATORS

INSTALLATION INSTRUCTIONS

SEPARATORS SERIES „10 PE“ MADE OF POLYETHYLENE

INSTALLATION ADVISES FOR AQUAFIX® SEPARATORS SERIES „10 PE“ MADE OF POLYETHYLENE

Installation in frequented areas.

1. The system must be installed below ground.
2. Place the system on a stable base (concrete) in a horizontal position.
3. Connect the inlet and the outlet to the sewage system.
4. Connect the height adaptation equipment if necessary, and adjust the height thereof depending on the nature of the terrain.
5. Fill the system with clean water, packing layers of sand around the equipment.
6. If the system is being installed in a frequented area a 400 kN cast iron cover must be provided. The cast iron lid is attached to the self-supporting concrete base and sealed, whereby the edge of the floor (height and reinforcement must be calculated) serves as a base.
7. Manual transport on side can be done easily with steel bars which can be put through the holes of the outer stop rings.

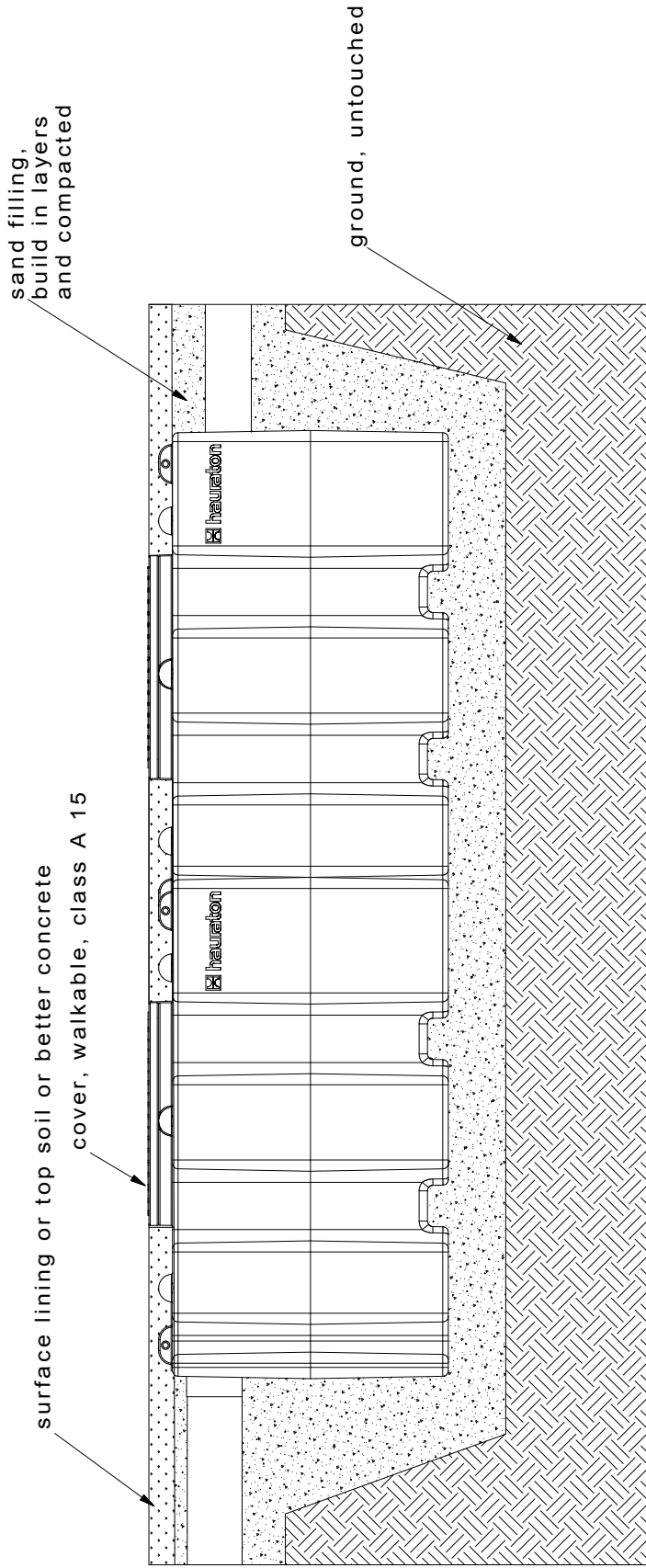
Installation outside frequented areas.

1. The system must be installed below ground.
2. Place the system on a compressed earth or concrete base in a horizontal position.
3. Connect the inlet and the outlet to the sewage system.
4. If necessary, attach the height adapter and adjust the height thereof depending on the nature of the top edge of the ground.
5. Fill the system with clean water, packing layers of sand down around the system.
6. If several height adapters are required, a self-supporting concrete base must be made (base height and reinforcement must be calculated).
7. Manual transport on side can be done easily with steel bars which can be put through the holes of the outer stop rings.

INSTALLATION DRAWING

Installation drawing separators series 10 PE

walkable areas - loading capacity A 15



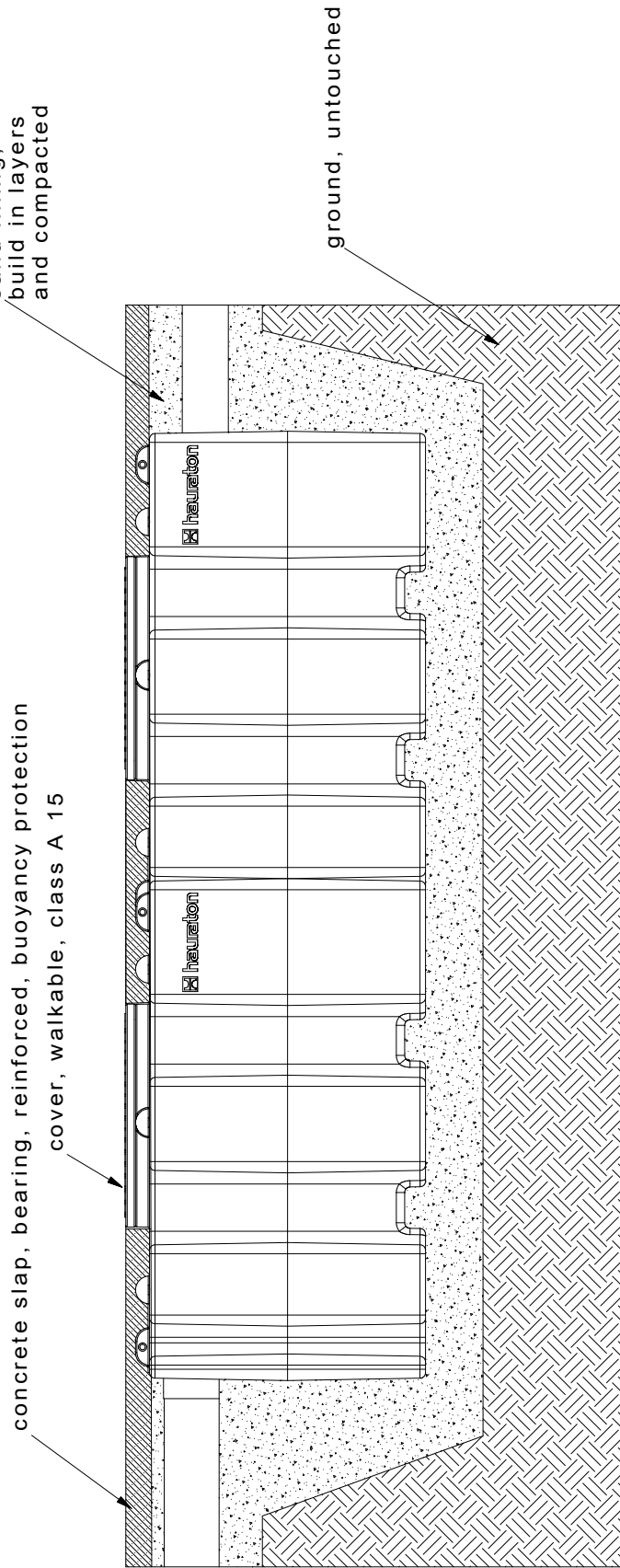
Installation at minor depth,
 Separator is not protected against buoyancy!
 Separator should be filled with water
 during placement of sand,
 filling continuously.

Werkstraße 13, Tel. +49 72 28 9 58-0 76437 Restat, Fax: +49 72 28 9 58-100 Germany info@hauraton.com		Basisierung Einbauzeichnung PE_K1_A_ger EDV-Nr.: 0000018701		Allgemeine Abmessungen nach DIN 3910 Datum: 08.12.08 C.O.E. Hersteller:		Format: DIN A3 Lieferant-Nr.: Projekt: 10 PE		Zeichnungs-Nr.: Blatt 1 von 1	
Mindestschutz nach DIN 3910 Erst-Einstellung Anbauart:		gew. Gewicht LKW-Gewicht Identifizierung:		Artikel-Nr.: C101530 KG PE		Maßstab: 1:50 Status:		Datum:	
Version:		Änderungen:		Datum:		Name:		Name:	

INSTALLATION DRAWING

Installation drawing separators series 10 PE

walable areas - loading capacity A 15



Installation at minor depth,
 Separator is protected against buoyancy
 by concrete slab on top!
 Separator should be filled with water
 during placement of sand,
 filling continuously.

<p>Werkstraße 13, Tel. +49 72 28 9 58-0 76437 Restorf, Fax +49 72 28 9 58-100 Germany info@hauration.com</p>		<p>Einbauzeichnung PE_KI_A_ger_as</p>	
<p>Artikel-Nr.: 0000018701</p>		<p>Format DIN A3</p>	
<p>Alle Intoleranzen nach</p>		<p>Lieferanten-Nr.</p>	
<p>Uhrzeigerschutz nach DIN 38 360/361</p>		<p>Projekt 10 PE</p>	
<p>Datum 08.12.08</p>		<p>Blatt 1 von 1</p>	
<p>Erst-Einstellung C.O.E</p>		<p>Maßstab 1:50</p>	
<p>Erst-Einstelle</p>		<p>Status</p>	
<p>Freigelegte</p>		<p>Material PE</p>	
<p>Version</p>		<p>Datum</p>	
<p>Änderungen</p>		<p>Nr.</p>	

INSTALLATION DRAWING

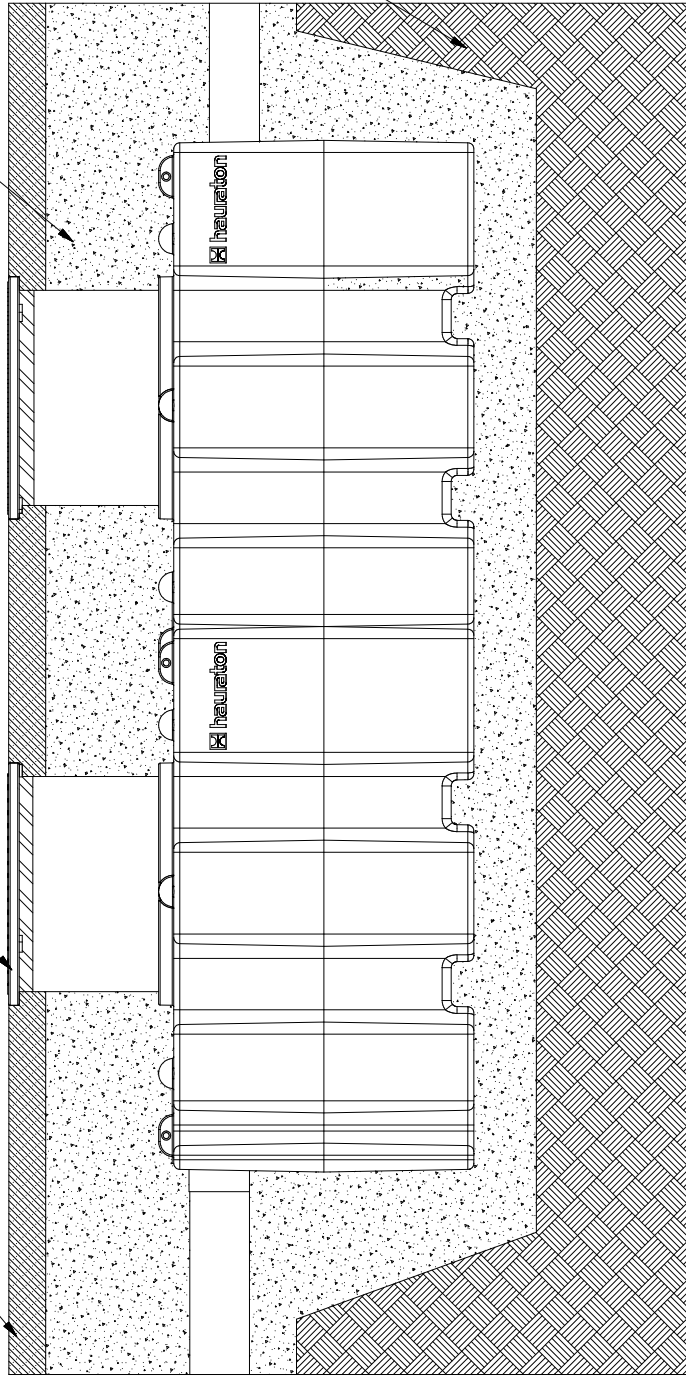
Installation drawing separators series 10 PE

trafficable areas - loading capacity D 400

concrete slab, bearing, reinforced, buoyancy protection cover, class D 400

sand filling, build inlayers and compacted

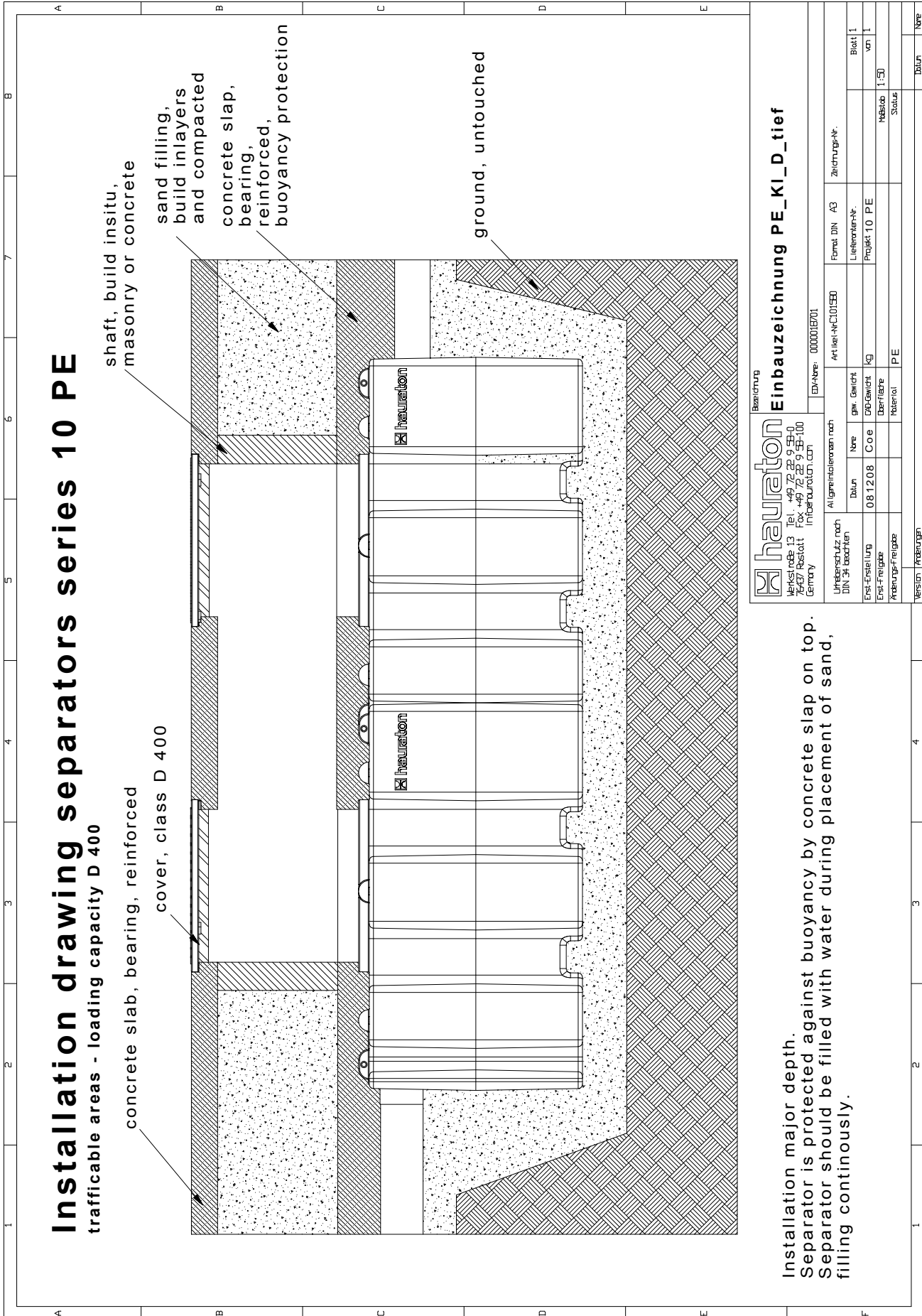
ground, untouched



Installation at minor or medium depth.
 Separator is protected against buoyancy by concrete slab on top.
 Separator should be filled with water during placement of sand, filling continuously.

		Basisierung Einbauzeichnung PE_KI_D_mittel		Format DIN A3 Zeichnungs-Nr.	
Werkstr. 13 Tel. +49 72 28 9 58-0 Fax +49 72 28 9 58-100 76437 Restat info@haustration.com Germany		Artikel-Nr. C101530 Lieferant-Nr.		Blatt 1 von 1	
Allgemeine Informationen nach DIN 31 130-1		Datum 08.12.08		Projekt 10 PE	
Urtitel nach DIN 31 130-1		C.O.E. 08.12.08		Maßstab 1:50	
Erst-Einstellung nach DIN 31 130-1		C.O.E. 08.12.08		Status	
Freigelegte nach DIN 31 130-1		Material PE		Datum	
Version nach DIN 31 130-1		Freigelegte nach DIN 31 130-1		Name	

INSTALLATION DRAWING



Installation drawing separator series 10 PE

trafficable areas - loading capacity D 400

concrete slab, bearing, reinforced

cover, class D 400

shaft, build insitu, masonry or concrete

sand filling, build inlayers and compacted

concrete slab, bearing, reinforced, buoyancy protection

ground, untouched

Installation major depth.

Separator is protected against buoyancy by concrete slab on top.

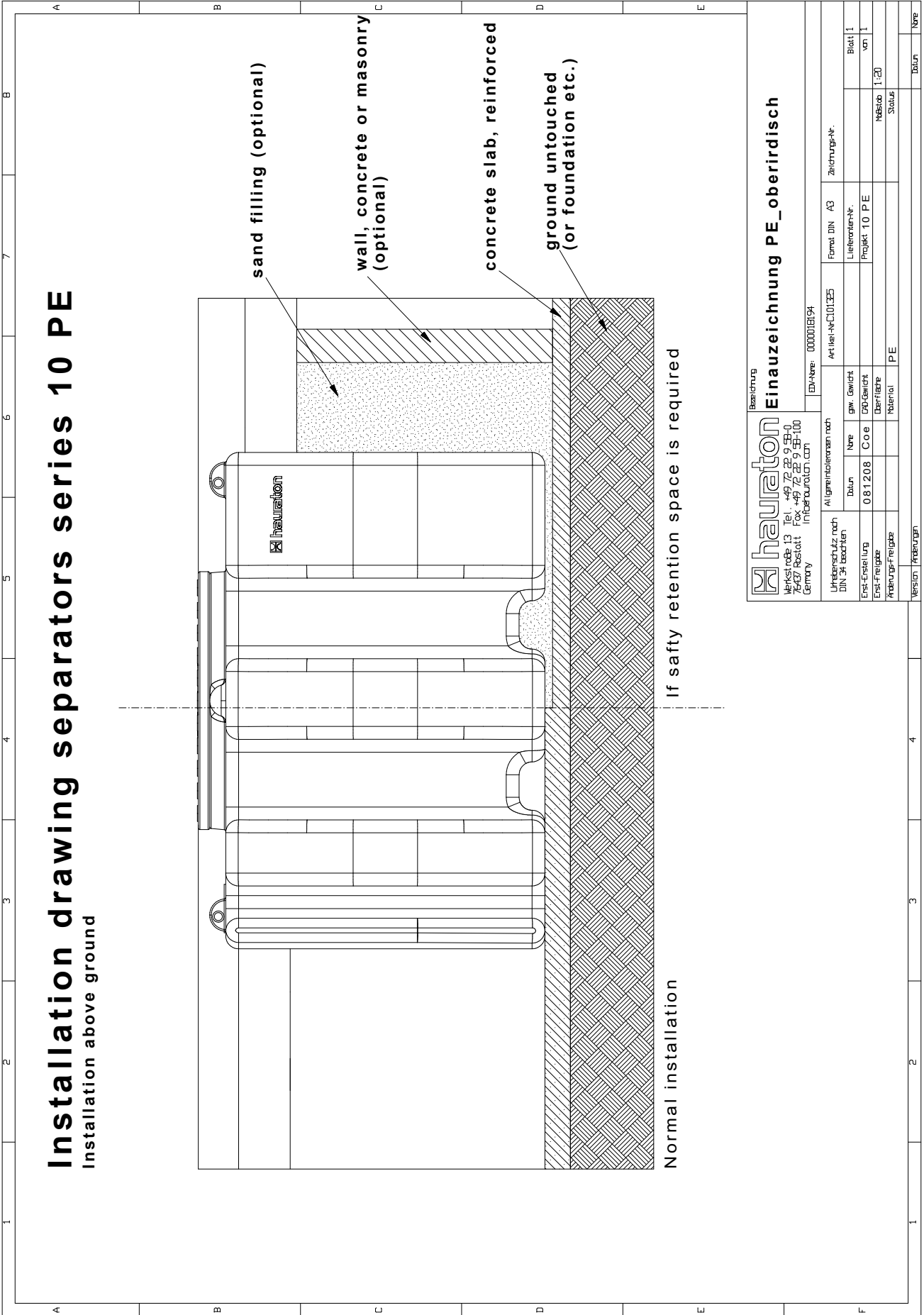
Separator should be filled with water during placement of sand, filling continuously.

haulation Werkstraße 13, Tel: +49 72 23 9 53-0 76477 Badstätt, Fax: +49 72 23 9 53-100 Germany info@haulation.com		Basisierung Einbauzeichnung PE_KI_D_tief EDW-Nr.: 0000018701	
Allgemeine Informationen nach DIN 24134-1		Artikel-Nr. C1013E0	Format DIN A3
Umrisszeichnung nach DIN 24134-1	Datum 08.12.08	grw. Gewicht C.o.e	Lieferant-Nr. Projekt 10 PE
Erst-Einstellung Fertigungsfreigabe	C.o.e Fertigungsfreigabe	DDD-Gewicht Material	Zeichnungs-Nr. Blatt 1 von 1 Maßstab 1:50 Status
Version Änderungen		Datum	Name

INSTALLATION DRAWING

Installation drawing separators series 10 PE

Installation above ground



hauaton Werkstraße 13 Tel. +49 72 22 9 55-0 76437 Rastatt Fax +49 72 22 9 55-100 Germany info@hauaton.com		EDW-Nr.: 000019194	
Bezeichnung Einauzeichnung PE_oberirdisch		Formel DIN A3	Zeichnungs-Nr.
Artikelkennzeichen nach Lieferstatus nach DIN 24 beachten	Art.Nr. NC101325	Lieferanten-Nr.	Blatt 1 von 1
Datum 08.12.08	ggr. Gewicht C 0 e	Projekt 10 PE	Nebenblatt 1, 20
Erst-Erstellung Produktions-Freigabe	DPA-Gewicht Darfstärke Material PE	Status	Status
Version: 10/08/08	4	Datum	Name

AQUAFIX® SEPARATORS

INSTALLATION INSTRUCTIONS

SEPARATORS SERIES „10 PE“ MADE OF POLYETHYLENE

OPERATION AND MAINTENANCE OF AQUAFIX® LIGHT LIQUID SEPARATORS SERIES „10 PE“ MADE OF POLYETHYLENE

□ Before start-up

1. Clean entire system and remove residual mortar, soil etc.
2. Fill sludge trap and separator with fresh water.
Please ensure that water level is same in all chambers of tank, and .ll in sequence!
3. Re-check joints of system for leaks.

□ Operation

Separator must be drained at least every six months, but should not be allowed to .ll to more than 85% of its storage capacity. Cleaning must occur more often if the storage capacity of the separator or sludge trap is exceeded. Operation must not be interrupted.

All separated material must be drained, cleaned and taken away for disposal by an approved disposal company. Please empty the separator and the sludge trap of this type of system at the same time if possible. First extract the oil layer from the system and then the layer of water beneath it, into separate tanks if possible. Clean float and seal every time the system is emptied and check operation thereof.

With coalescence separators: If the coalescence material is soiled, remove coalescence material, clean above sludge trap, give damaged coalescence material to disposal company and replace with new material. Replace coalescence material. Refill system with fresh water whenever it is emptied and cleaned.

OPERATION AND MAINTENANCE OF AQUAFIX® GREASE SEPARATOR SERIES „10 PE“ MADE OF POLYETHYLENE

□ Before start-up

Clean entire system and remove any residual mortar, soil etc. if necessary. Fill entire system with fresh water. Check joints of system for leaks.

□ Operation

As well as the maintenance guide, the following instructions must be followed for the entire system: EN 1825 Grease separating systems

Local water removal regulations and other instructions
Only sewage that does not have a detrimental effect on the intended operation of the separator must be led to the separator. It is particularly important to prevent domestic sewage and light mineral liquids from entering the separator. Do not allow rainwater to enter the system.

□ Disposal

1. Grease separators must be cleaned at least once per month, possibly more frequently. Cleaning must take place more frequently if the separator or sludge trap storage capacity is exceeded. The operation of the separator must not be affected.
2. Have all separated material drained, cleaned and taken away by an approved disposal company.
3. Fill entire system with fresh water after it has been emptied and drained.
4. Use mobile ladders when entering the system.
Extract vapour/air mixture beforehand. Pay attention to accident prevention regulations!

□ Maintenance

The separator must be serviced at least once per month. The system must be drained and cleaned in order to do this. Carefully check that all system components are in good working order and undamaged. Then refill system with fresh water. It is **extremely important to observe the accident prevention regulations!**

AQUAFIX[®] SEPARATORS

SERIES „PP” MADE OF POLYPROPYLENE
ONE SYSTEM FOR ALL CASES.





AT A GLANCE:

- ✓ 6 to 12 mm wall thickness
- ✓ light --> installation on site is possible without crane
- ✓ high stability (self standing construction)

AQUAFIX[®] SEPARATORS

SERIES „PP“ MADE OF POLYPROPYLENE
ONE SYSTEM FOR ALL CASES.

FEATURES

- 6 to 12 mm wall thickness
- stop rings to handle in horizontal und vertical position
- buoyancy protection
- according standards EN 858 or EN 1825
- wide openings
- for light liquid separators:
 - automatic closing device easy to remove
 - coalescence cell easy to remove
- sample taking device can be integrated

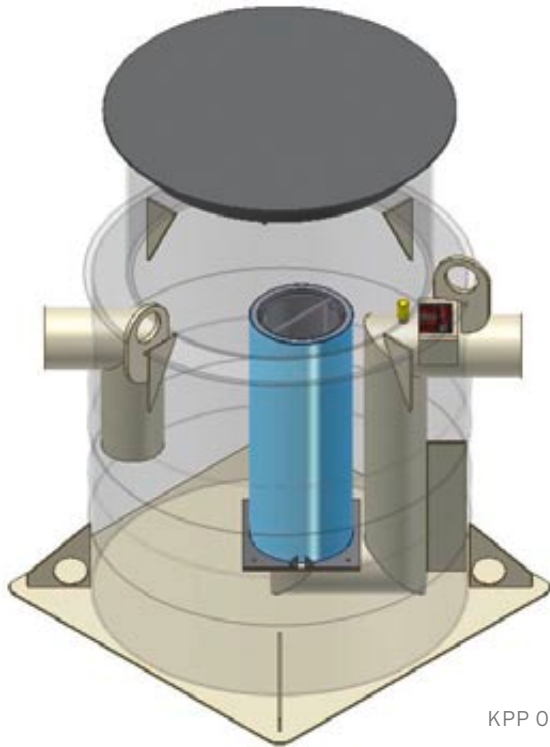
EXTENSIONS

Extension 500 mm included, adjustment rings 500 mm can be supplied. Covers in class A or D available.

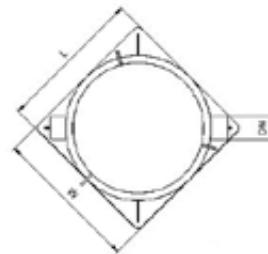
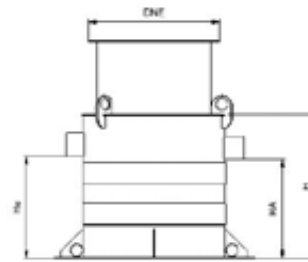


AQUAFIX® Separators from Polypropylene - Series H

AQUAFIX® - KPP Coalescence separator

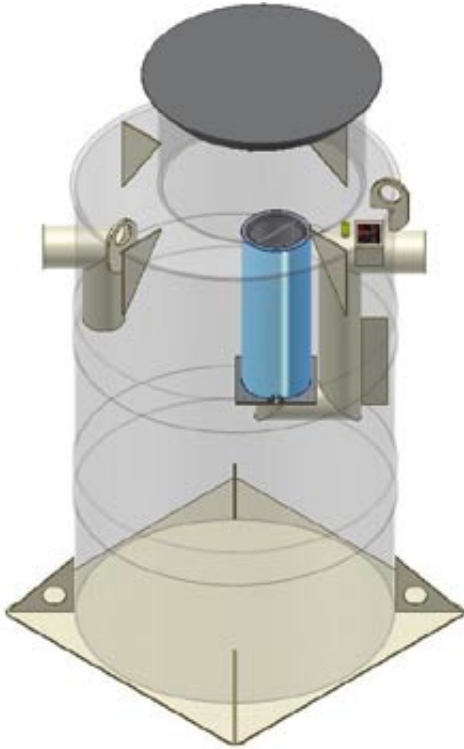


KPP 04

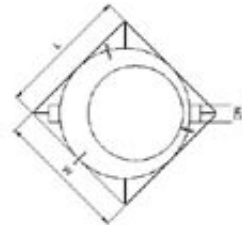
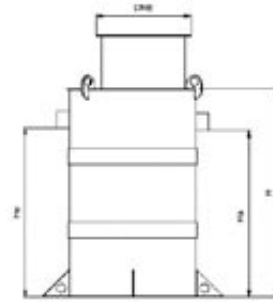


	Length mm	Width mm	Height mm	max. ϕ Flow l/s	Sepe- rator mm	sludge trap capa- city l	sepa- rator capa- city l	DN in-/ outLet mm	HE H inlet mm	HA H outlet mm	DNE man- hole 1	DNE man- hole 2	Weight kg	storage capa- city l	Item No.
KPP 04	700	700	1044	4	588	-	191	100	706	681	600	-	30,0	57	283504
KPP 06	850	850	1500	6	788	-	339	150	706	681	800	-	57,0	101	283506
KPP 10	1000	1000	1496	10	938	-	478	150	702	677	800	-	67,0	142	283510
KPP 15	1240	1240	1749	15	1174	-	1140	200	853	828	800	-	144,0	226	283515
KPP 20	1500	1500	1749	20	1414	-	1325	200	853	828	800	-	161,0	321	283520

AQUAFIX® - SKPP Coalescence separator with sludge trap



SKPP 04/0400



	Length mm	Width mm	Height mm	max. \varnothing Flow l/s	Sepe- rator mm	sludge trap capa- city l	sepa- rator capa- city l	DN in-/ outLet mm	HE H inlet mm	HA H outlet mm	DNE manho- le 1	DNE manho- le 2	Weight kg	storage capa- city l	Item No.
--	--------------	-------------	--------------	-----------------------------------	----------------------	--------------------------------------	--------------------------------------	-------------------------	---------------------	----------------------	-----------------------	-----------------------	--------------	-------------------------------	-------------

SKPP 04/0400	1000	1000	1840	4	938	424	478	100	1071	1046	800	-	67,0	142	284004
SKPP 06/0600	1000	1000	2345	6	938	603	478	150	1551	1526	800	-	82,0	142	284006
SKPP 06/1200	1240	1240	2480	6	1174	1211	551	150	1604	1579	800	-	120,0	226	284106
SKPP 10/1000	1240	1240	2480	10	1174	1011	751	150	1604	1579	800	-	120,0	226	284010
SKPP 10/2500	1500	1500	3074	10	1418	2500	1084	150	2198	2173	800	-	160,0	353	284110
SKPP 15/1500	1500	1500	2704	15	1414	1547	1325	200	1808	1783	800	-	230,0	353	284015
SKPP 15/3000	2000	2000	2804	15	1886	3023	2364	200	1908	1883	800	-	280,0	573	284115
SKPP 20/2000	2000	2000	2446	20	1886	2020	2364	200	1550	1525	800	-	256,0	573	284020
SKPP 20/4000	2500	2500	2654	20	2356	4026	3670	200	1758	1733	800	-	340,0	890	284120

AQUAFIX® STEEL „G“

AQUAFIX® STEEL „k“

AQUAFIX® CONCRETE

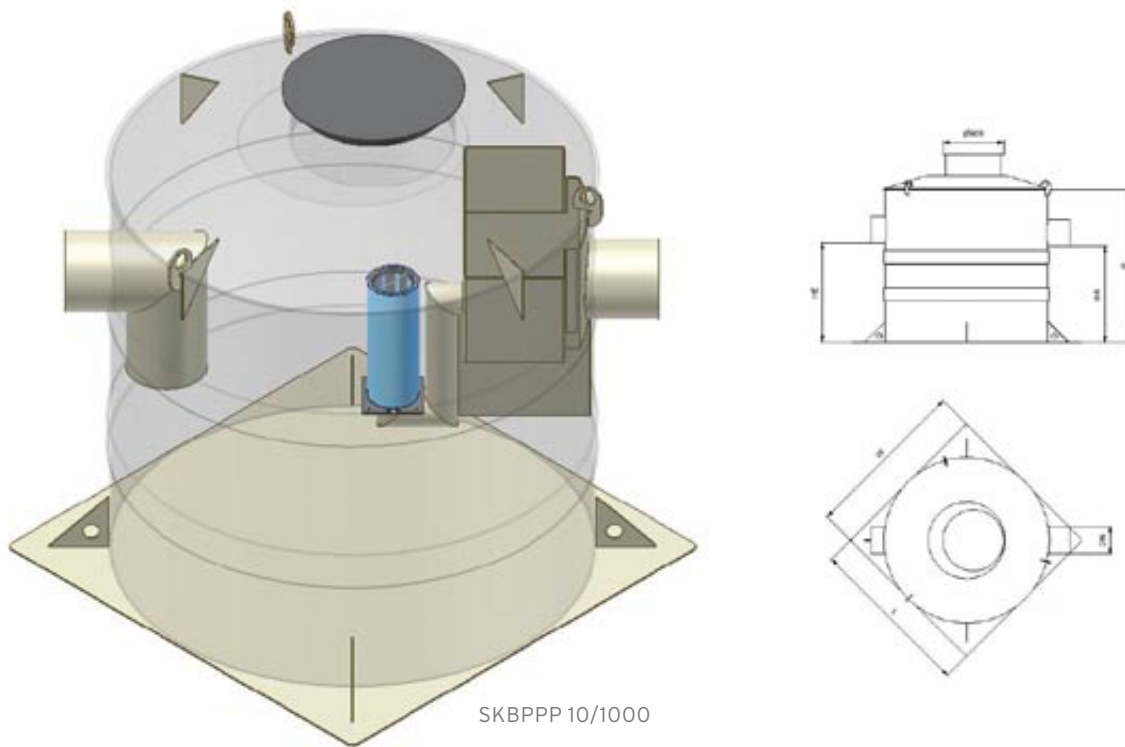
AQUAFIX® „10 PE“

AQUAFIX® „PP“

INSTALLATION
INSTRUCTIONS

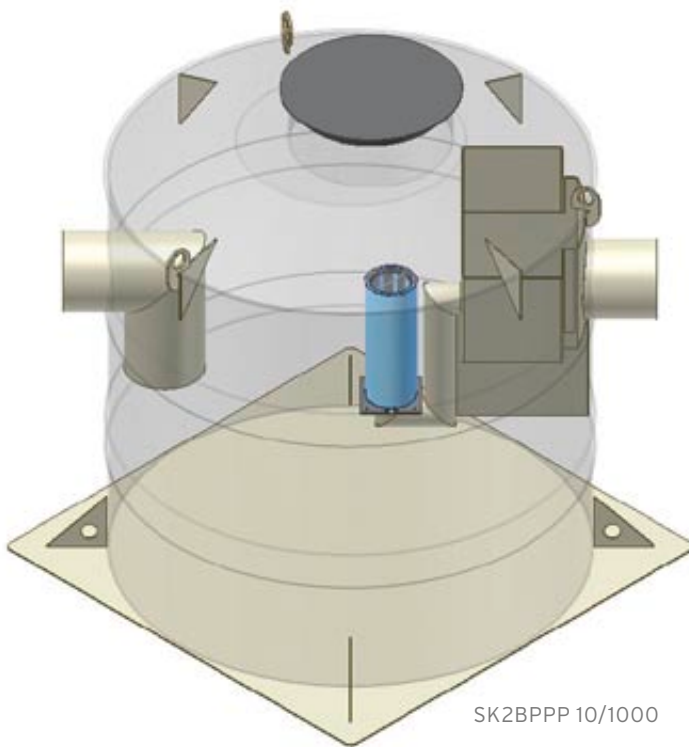
AQUAFIX® Separators from Polypropylene - Series H

AQUAFIX® - SKBPPP Coalescence separator with sludge trap and bypass

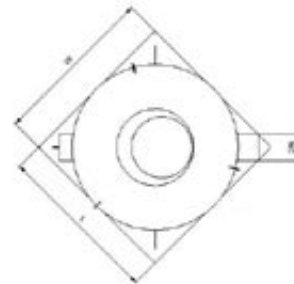
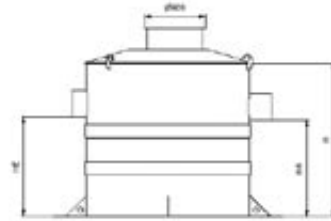


	Length mm	Width mm	Height mm	max. \varnothing Flow l/s	Sepe- rator mm	sludge trap capa- city l	sepa- rator capa- city l	DN in-/ outLet mm	HE H inlet mm	HA H outlet mm	DNE man- hole 1	DNE man- hole 2	Weight kg	storage capa- city l	Item No.
SKBPPP 10/1000	2500	2500	2374	50	2356	1001	3621	300	1110	1060	800	-	320,0	890	283610
SKBPPP 10/1000	2500	2500	2772	50	2356	1441	5049	300	1510	1460	800	-	350,0	890	283610
SKBPPP 15/1500	2500	2500	2674	75	2356	1501	4023	400	1317	1267	800	-	350,0	890	283615
SKBPPP 15/1500	2500	2500	3074	75	2356	1842	5583	400	1717	1667	800	-	380,0	890	283615

AQUAFIX® - SK2BPPP Coalescence separator with sludge trap and doublebypass



SK2BPPP 10/1000



	Length mm	Width mm	Height mm	max. ϕ Flow l/s	Sepe- rator mm	sludge trap capa- city l	sepa- rator capa- city l	DN in-/ outLet mm	HE H inlet mm	HA H outlet mm	DNE man- hole 1	DNE man- hole 2	Weight kg	storage capa- city l	Item No.
--	--------------	-------------	--------------	----------------------------	----------------------	--------------------------------------	--------------------------------------	-------------------------	---------------------	----------------------	-----------------------	-----------------------	--------------	-------------------------------	-------------

SK2BPPP 10/1000	2500	2500	2474	100	2356	1001	3869	400	1167	1117	800	-	335,0	890	283010
SK2BPPP 10/1000	2500	2500	2774	100	2356	1441	4871	400	1467	1417	800	-	340,0	890	283010
SK2BPPP 15/1500	2500	2500	2774	150	2356	1501	4241	500	1367	1317	800	-	360,0	890	283015
SK2BPPP 15/1500	2500	2500	3074	150	2356	1842	5361	500	1667	1617	800	-	380,0	890	283015

AQUAFIX® STEEL „G“

AQUAFIX® STEEL „K“

AQUAFIX® CONCRETE

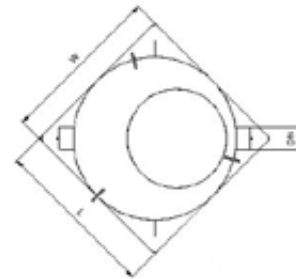
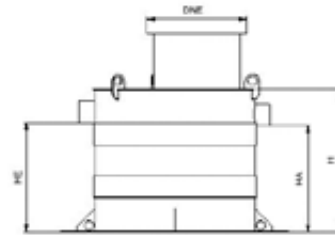
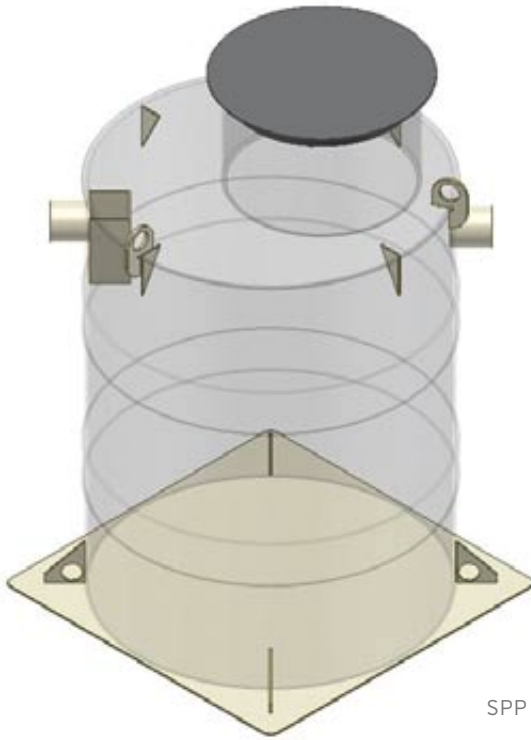
AQUAFIX® „10 PE“

AQUAFIX® „PP“

INSTALLATION
INSTRUCTIONS

AQUAFIX® Separators from Polypropylene - Series H

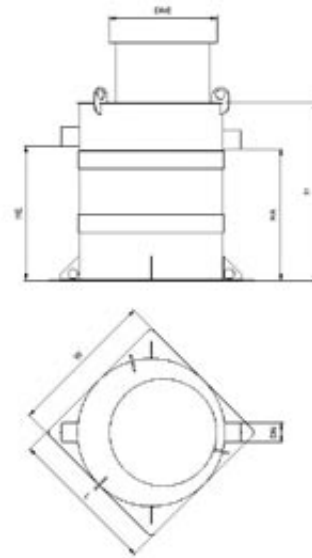
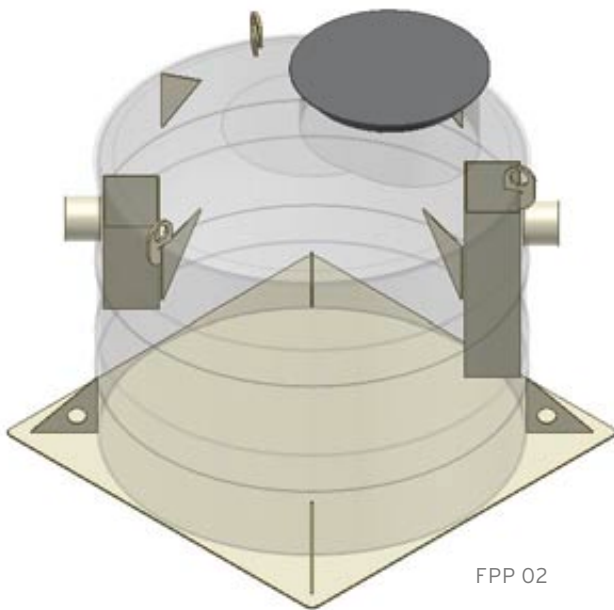
AQUAFIX® - SPP Sludge trap



SPP 0600/06

	Length mm	Width mm	Height mm	max. ϕ Sepe- rator Flow l/s	Sepe- rator mm	sludge trap capa- city l	sepa- rator capa- city l	DN in-/ outLet mm	HE H inlet mm	HA H outlet mm	DNE man- hole 1	DNE man- hole 2	Weight kg	storage capa- city l	Item No.
SPP 0600/06	1000	1000	1675	-	938	607	-	150	881	856	800	-	54,0	-	284306
SPP 1000/10	1240	1240	1727	-	1174	1008	-	150	935	910	800	-	78,0	-	284310
SPP 1500/15	1500	1500	1804	-	1414	1545	-	200	990	965	800	-	128,0	-	284315
SPP 2000/20	1500	1500	2097	-	1414	2016	-	200	1283	1258	800	-	140,0	-	284320
SPP 2500/10	1500	1500	2449	-	1414	2615	-	150	1655	1630	800	-	160,0	-	284325
SPP 2500/20	1500	1500	2097	-	1414	2581	-	200	1283	1258	800	-	160,0	-	284326

AQUAFIX® - FPP Grease separator



	Length mm	Width mm	Height mm	max. ϕ Flow l/s	Sepe- rator mm	sludge trap capa- city l	sepa- rator capa- city l	DN in-/ outLet mm	HE H inlet mm	HA H outlet mm	DNE man- hole 1	DNE man- hole 2	Weight kg	storage capa- city l	Item No.
--	--------------	-------------	--------------	----------------------------	----------------------	--------------------------------------	--------------------------------------	-------------------------	---------------------	----------------------	-----------------------	-----------------------	--------------	-------------------------------	-------------

FPP 02	1000	1000	1694	2	938	-	567	150	825	800	800	-	60,0	157	285002
FPP 04	1240	1240	1998	4	1174	-	1223	150	1127	1102	800	-	83,0	226	285004
FPP 07	1500	1500	2224	7	1414	-	2008	200	1278	1251	800	-	160,0	321	285007
FPP 10	2000	2000	2011	10	1886	-	3008	200	1078	1053	800	-	196,0	573	285010
FPP 15/20	2500	2500	2219	20	2356	-	5561	200	1278	1253	800	-	270,0	890	285020

AQUAFIX® STEEL „G“

AQUAFIX® STEEL „K“

AQUAFIX® CONCRETE

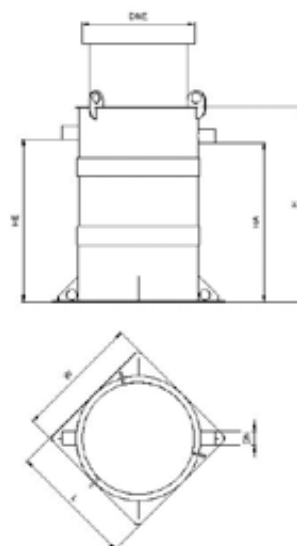
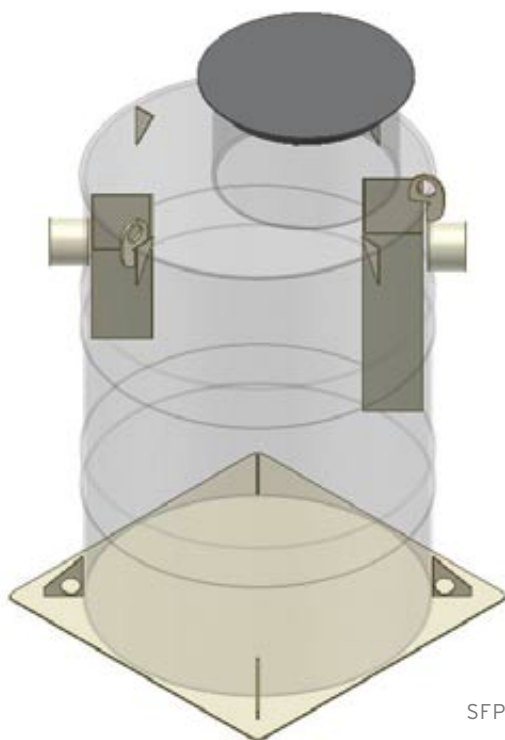
AQUAFIX® „10 PE“

AQUAFIX® „PP“

INSTALLATION
INSTRUCTIONS

AQUAFIX® Separators from Polypropylene - Series H

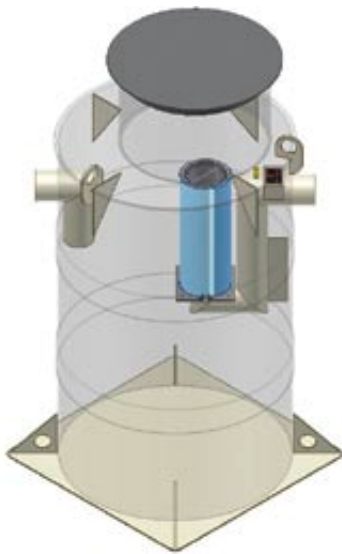
AQUAFIX® - SFPP Grease separator with sludge trap



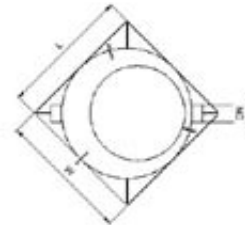
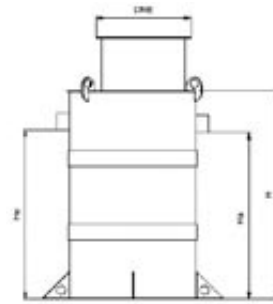
SFPP 02/0200

	Length mm	Width mm	Height mm	max. Ø Flow l/s	Sepe- rator mm	sludge trap capa- city l	sepa- rator capa- city l	DN in-/ outLet mm	HE H inlet mm	HA H outlet mm	DNE man- hole 1	DNE man- hole 2	Weight kg	storage capa- city l	Item No.
SFPP 02/0200	1000	1000	2035	2	938	213	592	150	1166	1141	800	-	66,0	157	285302
SFPP 02/0400	1000	1000	2305	2	938	411	585	150	1436	1411	800	-	71,0	157	285303
SFPP 04/0400	1200	1200	2307	4	1174	423	1140	150	1436	1411	800	-	90,0	226	285304
SFPP 04/0800	1240	1240	2654	4	1174	806	1140	150	1803	1778	800	-	98,0	226	285305
SFPP 07/0700	1500	1500	2654	7	1414	715	1983	200	1708	1683	800	-	180,0	353	285307
SFPP 07/1400	1500	1500	3104	7	1414	1429	1983	200	2158	2133	800	-	200,0	353	285308
SFPP 10/1000	2000	2000	2116	10	1886	1003	2292	200	1183	1158	800	-	203,0	573	285310
SFPP 10/2000	2000	2000	2466	10	1890	2006	2292	200	1533	1508	800	-	227,0	573	285311

AQUAFIX® - MINI separators



SKPP 01,5/0150 H



	Length mm	Width mm	Height mm	max. ϕ Flow l/s	Sepe- rator mm	sludge trap capa- city l	sepa- rator capa- city l	DN in-/ outLet mm	HE H inlet mm	HA H outlet mm	DNE man- hole 1	DNE man- hole 2	Weight kg	storage capa- city l	Item No.
--	--------------	-------------	--------------	----------------------------	----------------------	--------------------------------------	--------------------------------------	-------------------------	---------------------	----------------------	-----------------------	-----------------------	--------------	-------------------------------	-------------

SKPP 01,5/0150 H	-	-	1000	1	588	130	85	100	801	776	600	-	18,0	28	84604HU
SKPP 01,5/0150 H	-	-	1000	1	588	130	85	100	801	776	600	-	18,0	28	84602HU

AQUAFIX® STEEL „G“

AQUAFIX® STEEL „k“

AQUAFIX® CONCRETE

AQUAFIX® „10 PE“

AQUAFIX® „PP“

INSTALLATION
INSTRUCTIONS

AQUAFIX® SEPARATORS

INSTALLATION INSTRUCTIONS

SEPARATORS SERIES „PP“ MADE OF POLYPROPYLENE

INSTALLATION ADVISES FOR AQUAFIX® SEPARATORS SERIES „PP“ MADE OF POLYPROPYLENE

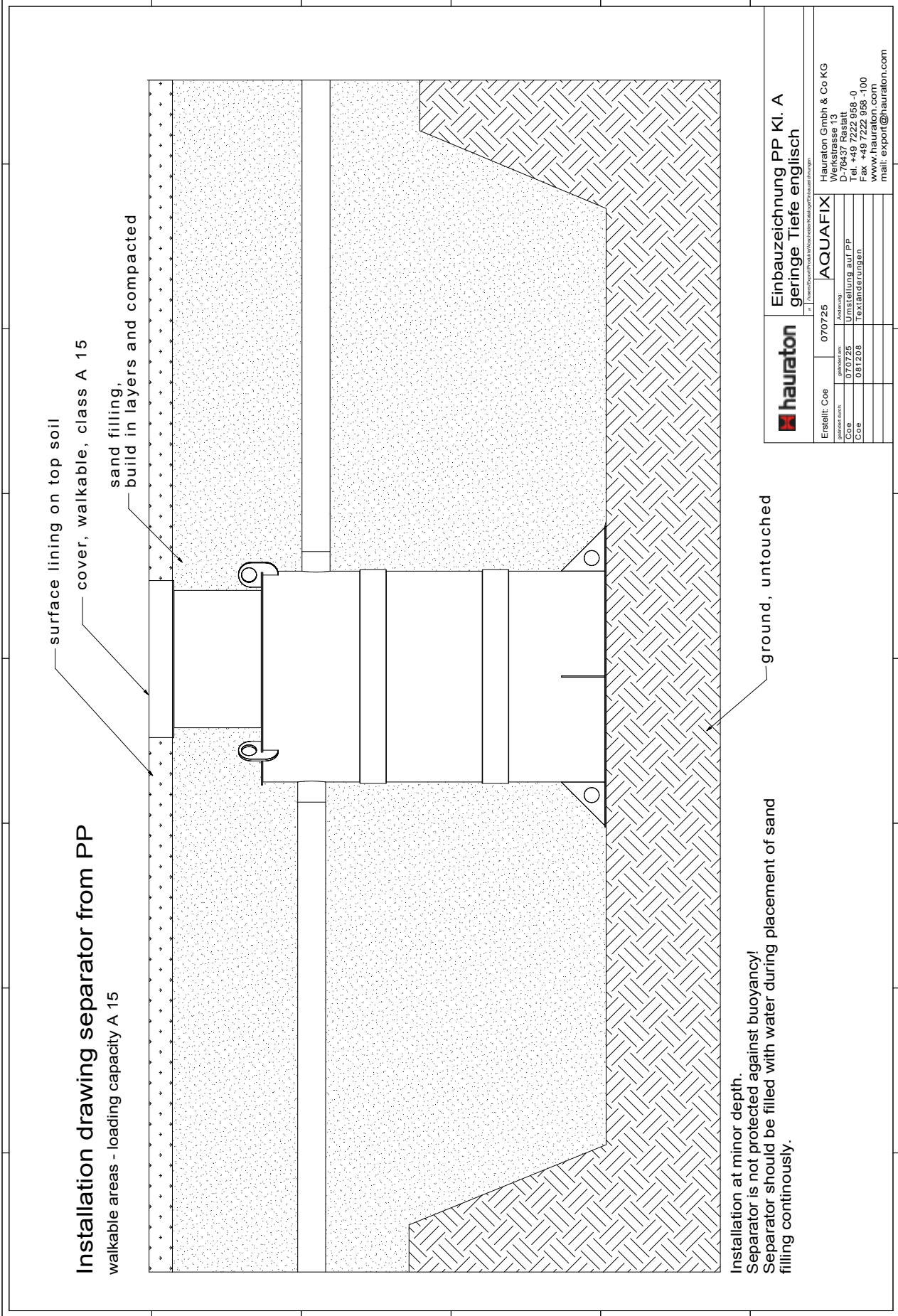
Installation in a frequented area

1. The system must be installed below ground.
2. Place the system on a stable base (concrete) in a horizontal position.
3. Connect the inlet and the outlet to the sewage system.
4. Connect the height adaptation equipment if necessary, and adjust the height thereof depending on the nature of the terrain.
5. Fill the system with clean water, packing layers of sand around the equipment.
6. If the system is being installed in a frequented area a 400 kN cast iron cover must be provided. The cast iron lid is attached to the selfsupporting concrete base and sealed, whereby the edge of the floor (height and reinforcement must be calculated) serves as a base.

Installation outside frequented areas.

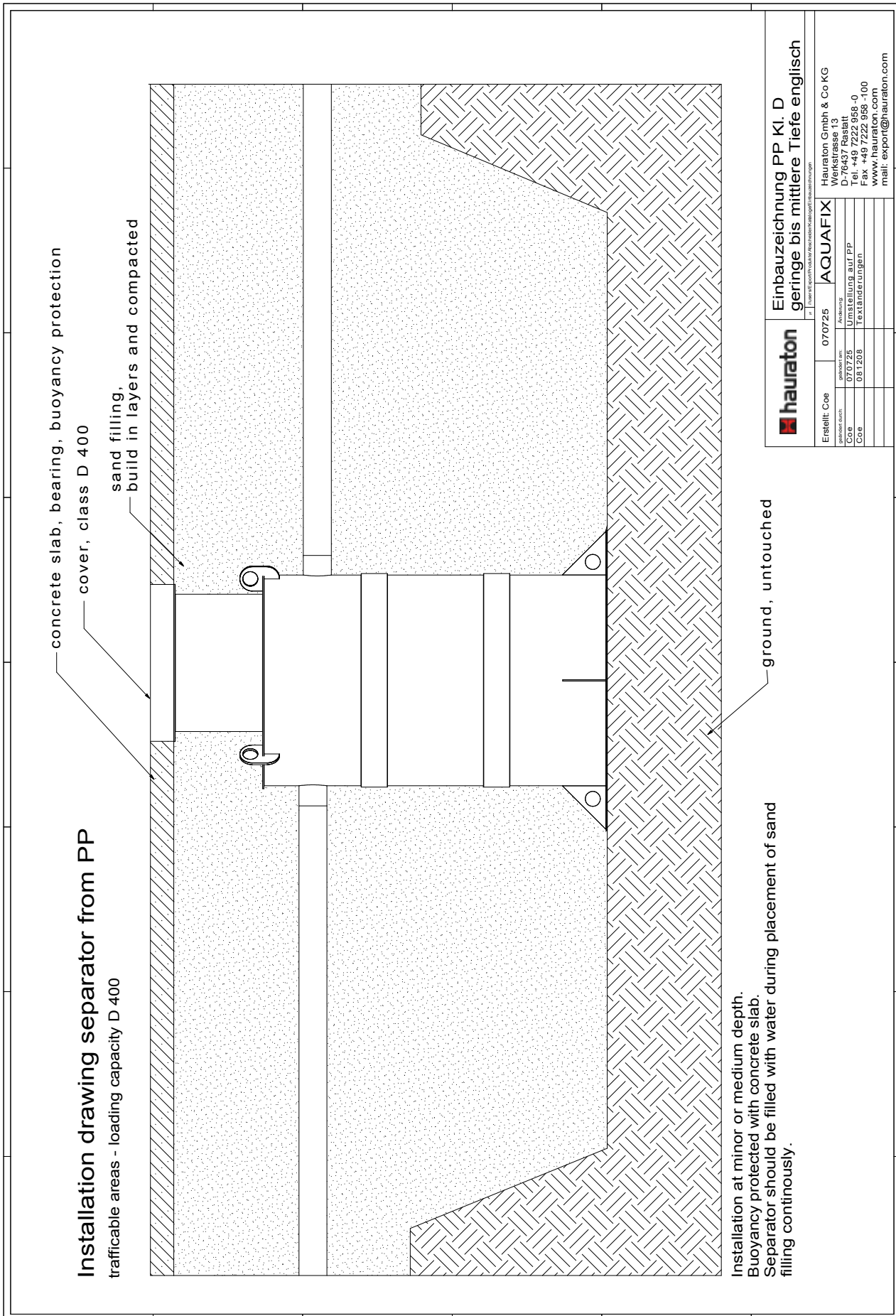
1. The system must be installed below ground.
2. Place the system on a compressed earth or concrete base in a horizontal position.
3. Connect the inlet and the outlet to the sewage system.
4. Connect the ventilation (diam. 50 mm).
5. If necessary, attach the height adapter and adjust the height thereof depending on the nature of the top edge of the ground.
6. Fill the system with clean water, packing layers of sand down around the system.
7. If several height adapters are required, a self-supporting concrete base must be made (base height and reinforcement must be calculated).

INSTALLATION DRAWING



hauraton		Einbauzeichnung PP Kl. A geringe Tiefe englisch	
Erstellt: Coe	070725	AQUAFIX	
gezeichnet durch:	070725	Hauraton GmbH & Co KG Werktstätte 13 D-76437 Haselau Tel. +49 7222 958-0 Fax. +49 7222 958-100 www.hauraton.com mail: export@hauraton.com	
CoE	081208	Anwendung: Umstellung auf PP Textänderungen	

INSTALLATION DRAWING



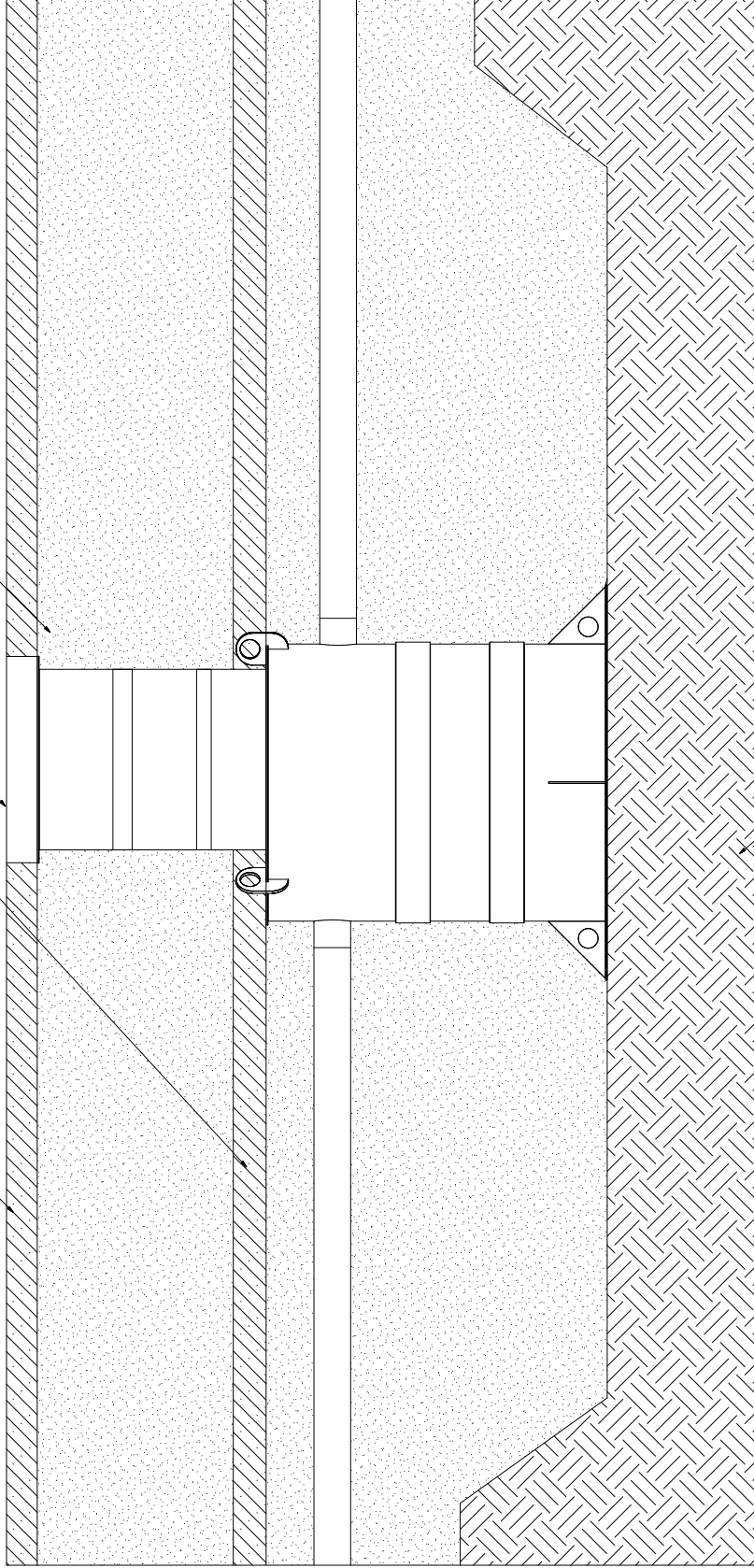
hauraton	Einbauzeichnung PP Kl. D geringe bis mittlere Tiefe englisch	Hauraton GmbH & Co KG Dorfstrasse 13 D-49701 Bielefeld Tel +49 7222 958-0 Fax +49 7222 958-100 www.hauraton.com mail: export@hauraton.com
	070725	AQUAFIX
Erstellt: Coe	070725	Hauraton
geändert am:	070725	Änderung:
Code	081208	Umstellung auf PIP
Code		Textänderungen

INSTALLATION DRAWING

Installation drawing separator from PP

trafficable areas - loading capacity D 400 — concrete slab

concrete slab, bearing, buoyancy protection
cover, class D 400
sand filling,
buildin in layers and compacted



Installation at major or medium depth.
Buoyancy protected with concrete slab.
Separator should be filled with water during placement of sand
filling continuously.

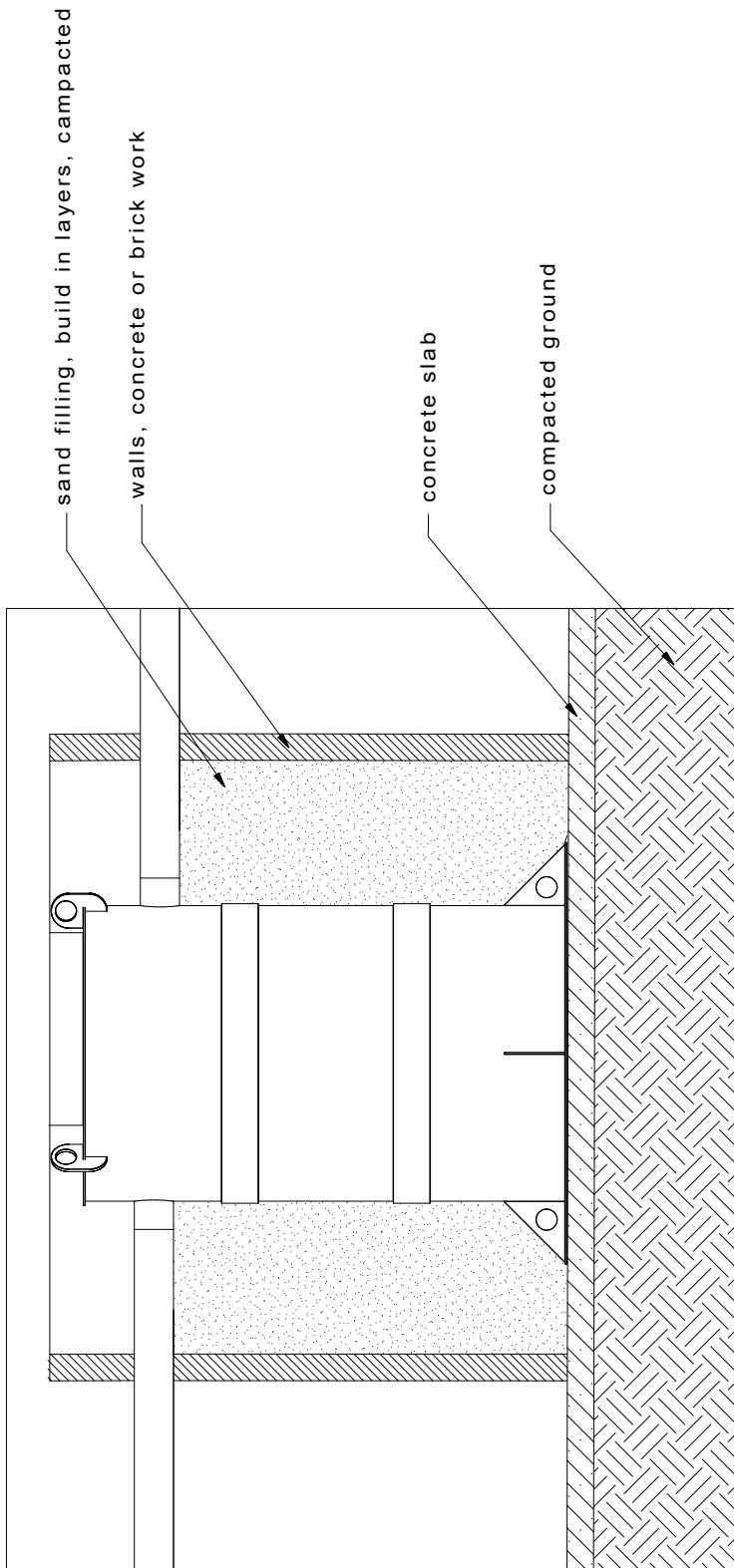


Einbauzeichnung PP Kl. D
mittlere bis große Tiefe englisch

Erstellt: Coe	070725	AQUAFIX	Hauraton GmbH & Co KG
gezeichnet von:	Arbeitsort	Werkstrasse 13	
070725	Umstellung auf PP	D-76437 Hasbachtal	
08.12.08	Textänderungen	tel. +49 7222 958-0	
		Fax +49 7222 958-100	
		www.hauraton.com	
		mail: export@hauraton.com	

INSTALLATION DRAWING

Installation drawing separator from PP
overground installation



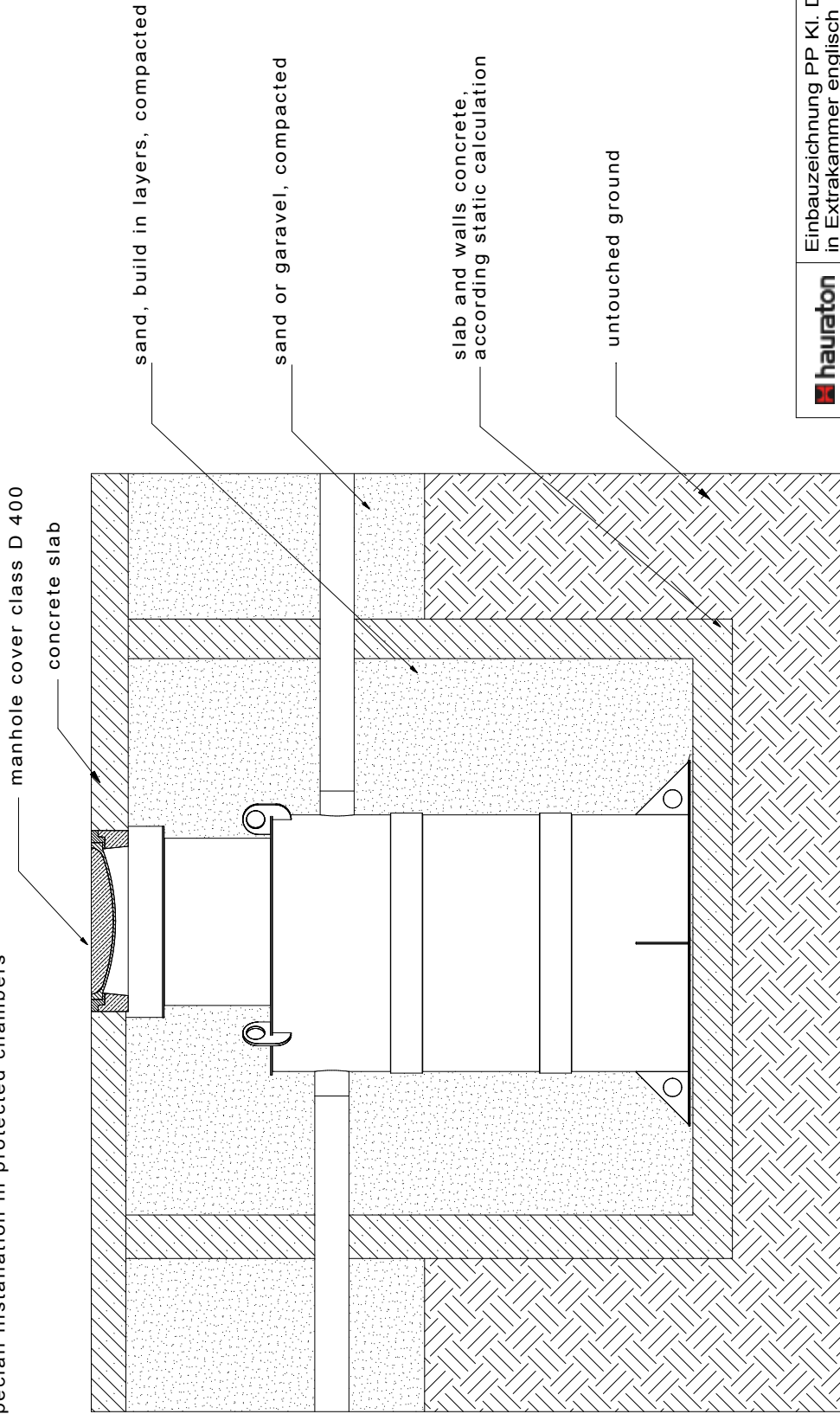
Overground installation
Separator should be filled with water during
placement of sand filling continuously

	Erstellt: Coe	070725	AQUAFIX
	gezeichnet von:	070725	Umstellung auf PP
Co	081208	Textänderungen	
Co			
Einbauzeichnung PP Kl. A Oberirdisch englisch			
Hauraton GmbH & Co KG Weinstraße 13 D-74474 Gammelsheim Tel. +49 7222 958-0 Fax +49 7222 958-100 www.hauraton.com mail: export@hauraton.com			

INSTALLATION DRAWING

Installation drawing separator from PP

Special installation in protected chambers



hauraton Einbauzeichnung PP Kl. D
in Extrakammer englisch

Erstellt: Coe	070725	AQUAFIX	Hauraton GmbH & Co KG
gezeichnet: Coe	070725	Umstellung auf PP	Werktstraße 13
CoE	081208	Textänderungen	D-76437 Haselau
			Str. 47, 76437 Haselau, D
			Telefon +49 7222 958-0
			Fax +49 7222 958-100
			www.hauraton.com
			mail: export@hauraton.com

AQUAFIX® SEPARATORS

INSTALLATION INSTRUCTIONS

SEPARATORS SERIES „PP“ MADE OF POLYPROPYLENE

OPERATION AND MAINTENANCE OF AQUAFIX® LIGHT LIQUID SEPARATORS SERIES „PP“ MADE OF POLYPROPYLENE

□ Before start-up

1. Clean entire system and remove residual mortar, soil etc.
2. Fill sludge trap and separator with fresh water. Please ensure that water level is same in all chambers of tank, and fill in sequence!
3. Re-check joints of system for leaks.

□ Operation

As well as following the maintenance guide, the entire system must comply with the following regulations:

- EN 858 (Light liquid separating systems)
- Local drainage statutes and other instructions

Only sewage that does not have a detrimental effect on the intended operation of the separator must be led into the system. Emulsions and solvents (cold cleaners, drilling and cutting oil, water-soluble hydrocarbons etc.) must not be allowed to enter the separator. Dispose of these materials together with the special waste. Rainwater from surfaces for which the separator was not intended and domestic sewage must not be led into the separator. With coalescence separators: Do not remove coalescence insert during operation!

□ Disposal

Separator must be drained at least every six months, but should not be allowed to fill to more than 85% of its storage capacity. Cleaning must occur more often if the storage capacity of the separator or sludge trap is exceeded. Operation must not be interrupted. All separated material must be drained, cleaned and taken away for disposal by an approved disposal company.

Please empty the separator and the sludge trap of this type of system at the same time if possible. First extract the oil layer from the system and then the layer of water beneath it, into separate tanks if possible. Clean float and seal every time the system is emptied and check operation thereof.

With coalescence separators: If the coalescence material is soiled, remove coalescence material, clean above sludge trap, give damaged coalescence material to disposal company and replace with new material. Replace coalescence material. Re-fill system with fresh water whenever it is emptied and cleaned.



OPERATION AND MAINTENANCE OF AQUAFIX® SEPARATORS SERIES „PP“ MADE OF POLYPROPYLENE

□ Before start-up

Clean entire system and remove any residual mortar, soil etc. if necessary. Fill entire system with fresh water. Check joints of system for leaks.

□ Operation

As well as the maintenance guide, the following instructions must be followed for the entire system:

- EN 1825 Grease separating systems
- Local water removal regulations and other instructions

Only sewage that does not have a detrimental effect on the intended operation of the separator must be led to the separator. It is particularly important to prevent domestic sewage and light mineral liquids from entering the separator. Do not allow rainwater to enter the system.

□ Disposal

1. Grease separators must be cleaned at least once per month, possibly more frequently. Cleaning must take place more frequently if the separator or sludge trap storage capacity is exceeded. The operation of the separator must not be affected.
2. Have all separated material drained, cleaned and taken away by an approved disposal company.
3. Fill entire system with fresh water after it has been emptied and drained.
4. Use mobile ladders when entering the system. Extract vapour/air mixture beforehand. Pay attention to accident prevention regulations!

□ Maintenance

The separator must be serviced at least once per month. The system must be drained and cleaned in order to do this. Carefully check that all system components are in good working order and undamaged. Then refill system with fresh water. **It is extremely important to observe the accident prevention regulations!**