

# FASERFIX® SUPER KS FASERFIX® SUPER

**THE COMPLETE DRAINAGE SYSTEM - EXTREMELY ROBUST.**  
FOR EXPOSURE TO HEAVY GOODS VEHICLES IN PUBLIC AREAS AND INDUSTRY.



## AT A GLANCE

- ✓ Highest bending tensile strength
- ✓ Patented SIDE-LOCK boltless locking system
- ✓ Available with built-in fall
- ✓ With safety joint for easy sealing



# FASERFIX® SUPER KS

## FASERFIX® SUPER

**THE COMPLETE DRAINAGE SYSTEM - EXTREMELY ROBUST.**  
FOR EXPOSURE TO HEAVY ROAD TRAFFIC IN PUBLIC AREAS AND INDUSTRY.

### REQUIREMENT

Surface water in all kinds of areas must be allowed to drain away quickly and reliably. This requires drainage channels that will permanently withstand the loads applied from the expected traffic conditions. In particular this applies to zones exposed to heavy traffic in public and industrial areas. In addition to their technical function, drainage channels are expected to contribute visually to the attractiveness of surfaces with their form, colour and the material of the gratings. Some special applications also call for flexible channel systems - the products must be capable of being adapted to all drainage tasks.



### SOLUTION

FASERFIX SUPER channels offer solutions for any type of application in heavy duty traffic areas. They are manufactured from fibre-reinforced concrete which, compared to normal concrete, has greater strength and reduced thickness of the side walls. In addition, they feature a higher bending tensile strength. No supporting backing of the channel body is required during installation. There are no restricting cross ridges in the base of the channel. The top edges and bearing surfaces for the gratings consist of corrosion-proof angle housings in galvanised steel or stainless steel which are firmly tied to the channel body through ties that reach down to the base of the channel. FASERFIX SUPER are resistant to frost and salt. The lower parts of the channels feature safety joints that can be sealed during installation against liquids, using elastic injection sealers such as the MASTERFLEX 700 FR gun grade polysulphide sealing compound. The channels can be supplied with or without in-built fall. Finally, numerous gratings for different load classes are available in the materials ductile iron, galvanised steel or stainless steel. With the SIDE-LOCK boltless locking system the gratings are safely fixed to the channels. The classification and testing meets the requirements of DIN EN 1433. Upon request we are happy to supply copies of the test certificates issued by the official material testing station at the University of Karlsruhe. FASERFIX SUPER channels are CE-marked.

## APPLICATION AREAS

Traffic areas for industry and commerce, trade, trade fairs/exhibitions, railway stations, airports, ports, container handling stations, sewage works, power stations,

building yards, barracks, roads/motorways, petrol stations and service areas, parking lots, traffic-calmed zones, play streets, urban squares etc.



Potsdam, Germany



Airport Brussels, Belgium



Petrol stations all over the world



Main station Berlin, Germany

# FASERFIX® SUPER KS FASERFIX® SUPER

## TAILOR-MADE SOLUTIONS.

EXAMPLES OF TAILOR-MADE SOLUTIONS FOR INDIVIDUAL CUSTOMER REQUIREMENTS.

In each project the conditions to be handled by a drainage system are different. Therefore systems have to be flexible enough to allow standard products from serial production to be complemented by special items. To achieve that, HAURATON will study the individual requirements of each project and work together with the architects at an early stage. The company has a specialised team dealing exclusively with non-standard solutions - from the outline design stage right through to timely delivery and support during installation. In this way a suitable solution will be found for all applications. HAURATON channels are very flexible and can be adapted individually. Some special formats include cutting to required length, mitred cuts, holes and openings or incorporating connection pipes.

### WÖRTH, DaimlerChrysler

On a site of about 550,000 square metres very close to the factory in Wörth, DaimlerChrysler is in the process of constructing the so-called EVZ - a development and test centre with test runs for putting heavy goods vehicles (HGV) through their paces. There are various stretches of track, one of them an automated bad surface track (ASW), on which prototypes and serial models are put through tough long-distance tests, with some of the vehicles being controlled via remote control.

For building projects of such dimensions the FASERFIX SUPER drainage system is the ideal solution. Standard production parts are complemented with customised channels that have been designed at the factory and are easy to install by the contractors following the installation instructions that are also supplied. Numerous mitred cuts, non-standard lengths and connection holes make up the complex drainage network that follows the routing of the test tracks.

Design of the ASW: Tilke - Engineers and Architects, Aachen/Olpe

Contractor: ASW Consortium, including the companies Strabag, Züblin, Grötz and Reif



The scheme comprises the following HAURATON channels:  
2.500 m FASERFIX SUPER KS 100  
850 m FASERFIX SUPER 150  
200 m FASERFIX TRAFFIC SUPERBLOC 200

## MANNHEIM, SHUNTING YARD

For safety reasons, overhead power lines at railway stations have to be earthed. For the shunting yard at Mannheim, HAURATON has developed a system together with Deutsche Bahn which combines drainage channels with an earth conductor. The solution provides one earthing cube per linear metre of channel which has been incorporated into the channel body underneath the angle housing. These are connected to earthing cables of 1 cm thickness. The function of the SIDE-LOCK boltless locking system remains fully intact.



## WAGHÄUSEL, SITEC

The Sitec company is part of the glass industry. Its products are manufactured on highly technical machines and in extreme temperatures. A channel system has been developed for the company's factory floors that combines the routing of service pipes for the machines with a reliable drainage system. At the outline design stage, the project team at HAURATON developed a complex system comprising FASERFIX SUPER channels of different nominal widths. The factory produced numerous adapters between different nominal widths as well as T-pieces and crossovers that fitted exactly and were quick to install.



# FASERFIX® SUPER KS FASERFIX® SUPER

## TAILOR-MADE SOLUTIONS.

EXAMPLES OF TAILOR-MADE SOLUTIONS FOR INDIVIDUAL CUSTOMER REQUIREMENTS.

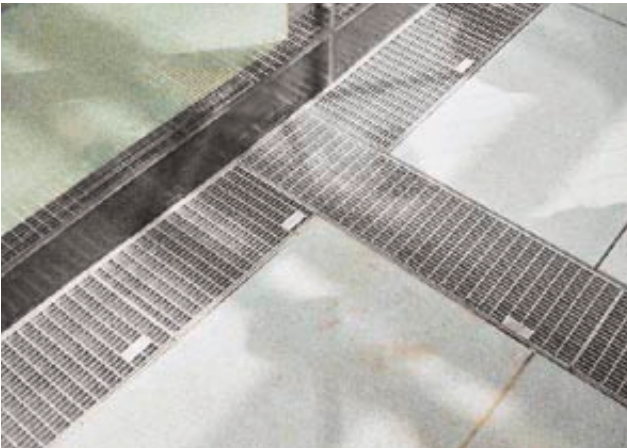
### "BISCHOFSCHEIM, AM WINGERTSPFAD": EMBANKMENT CHANNEL WITH CLOSING GRATING

At the new construction site "Am Wingertspfad" in Bischofsheim open FASERFIX SUPER channels were used in different nominal widths to drain the precipitation water to the central percolation area. The whole drainage network consists of FASERFIX SUPER channels in different nominal widths and types. At the end of the drainage lines the water emerges into the open through a channel that has been truncated to suit the existing slope of the embankment as specified by the customer. An exit grating was fitted to safeguard the system.



## "DRESDEN, WIENER PLATZ"

The "Wiener Platz" is the central traffic hub in Dresden. The different transport modes, such as railway, cars and buses, tramway, bicycles and wheelchairs are interlinked on different levels. For a visually appealing streetscape design of surfaces and façades, the FASERFIX SUPER channels and FASERFIX POINT yard gullies were fitted with custom-fabricated stainless steel gratings. A special request from the client and architects was the narrow mesh size of the gratings that provides better safety for pedestrians, cyclists and wheelchair users and prevents the ingress of coarser dirt items into the drainage system. The effect adds to the harmonious overall design that does justice to the outstanding architecture.





# FASERFIX® SUPER KS

**THE COMPLETE DRAINAGE SYSTEM - EXTREMELY ROBUST.**  
FOR EXPOSURE TO HEAVY ROAD TRAFFIC IN PUBLIC AREAS AND INDUSTRY.

## HIGH-STRENGTH SIDEWALLS OWING TO FIBRE-REINFORCED CONCRETE

The standard DIN EN 1433 stipulates sufficient sidewall strength for transport and installation, i.e. without the bracing effect from the gratings that are installed subsequently. The U shape of our drainage channels has passed the test of time over many years. FASERFIX SUPER channels are manufactured from fibre-reinforced concrete. The sidewalls are uniformly slender and very robust - even for short non-standard lengths. FASERFIX SUPER KS and FASERFIX SUPER channels can be installed without the gratings being fitted.

FASERFIX SUPER KS and FASERFIX SUPER channels meet the requirements of DIN EN 1433 and are suitable for the following load categories:



**CATEGORY A 15,  
LOAD CLASS 15 KN**



**CATEGORY B 125,  
LOAD CLASS 125 KN**



**CATEGORY C 250,  
LOAD CLASS 250 KN**



**CATEGORY D 400,  
LOAD CLASS 400 KN**



**CATEGORY E 600,  
LOAD CLASS 600 KN**



**CATEGORY F 900,  
LOAD CLASS 900 KN**

4

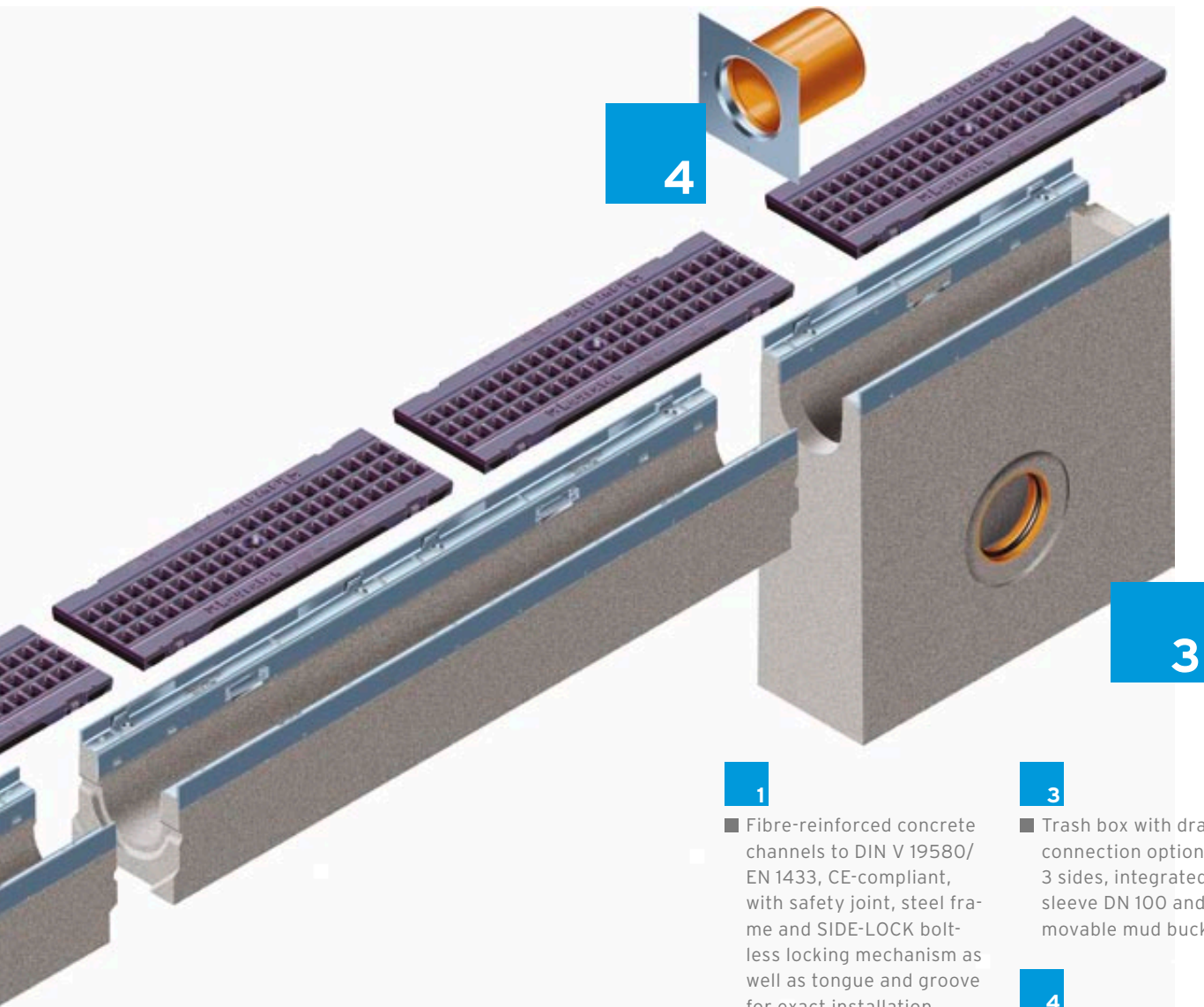
2

1

## SAFETY IN PEDESTRIAN ZONES

FASERFIX SUPER channels with their great choice of gratings are also used in pedestrian zones, on market squares and other public areas. To provide greater safety for pedestrians, the gratings with narrow slot sizes were developed.





- 1** Fibre-reinforced concrete channels to DIN V 19580/EN 1433, CE-compliant, with safety joint, steel frame and SIDE-LOCK boltless locking mechanism as well as tongue and groove for exact installation
- 2** Numerous grating options, e.g. GUGI-Ductile iron mesh gratings
- 3** Trash box with drainage connection options on 3 sides, integrated KG sleeve DN 100 and removable mud bucket
- 4** End caps with and without outlets

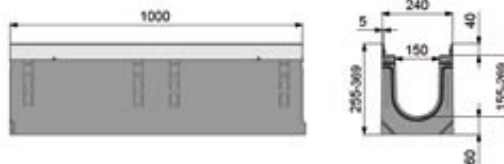
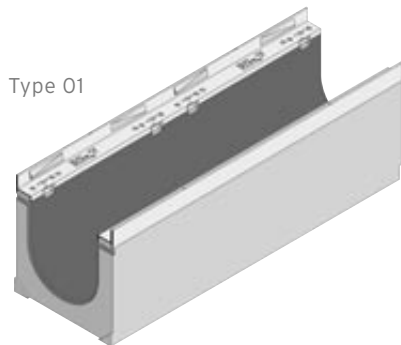
## GRATING OPTIONS FASERFIX®SUPER KS CHANNELS AND FASERFIX®SUPER CHANNELS

Load categories	GUGI-Ductile iron mesh grating*		Ductile iron grating*		Mesh grating*		Slotted grating*		Perforated grating*		Closed covers*		Longitudinal grating*	
	SUPER KS	SUPER	SUPER KS	SUPER	SUPER KS	SUPER	SUPER KS	SUPER	SUPER KS	SUPER	SUPER KS	SUPER	SUPER KS	SUPER
<b>A 15</b>														
<b>B 125</b>					100									
<b>C 250</b>					100, 150, 200	300	100		100		100			
<b>D 400</b>					100, 150, 200	300, 400								
<b>E 600</b>	100, 150, 200	150, 200, 300, 400	100, 150	150, 200, 500	100, 150, 200						100	300, 400		
<b>F 900</b>	100		100, 150	150, 200, 300, 400										

\* sizes are nominal widths

# FASERFIX® SUPER 150

## FASERFIX® SUPER 150 - Channel lower parts



	Length mm	Width mm	Height mm	Drainage cross- sect. cm <sup>2</sup>	Weight kg	Article No.
Type 01	1000	240	255	212	78,0	2000
Type 010	1000	240	309	289	89,0	2042
Type 020	1000	240	369	383	103,0	2044
Type 0105	500	240	255	212	39,0	2049

## FASERFIX® SUPER 150 - Channel lower parts angular



	Length mm	Width mm	Height mm	Drainage cross- sect. cm <sup>2</sup>	Weight kg	Article No.
Type 01 E	1000	240	255	223	80,0	2105
Type 010 E	1000	240	309	301	93,5	2106
Type 020 E	1000	240	369	387	105,0	2107

# FASERFIX®SUPER 150

## FASERFIX®SUPER 150 - Gratings, class E 600

GUGI-Ductile iron mesh grating,  
MW 20/30, black



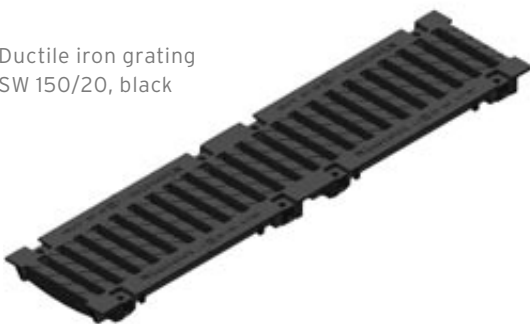
Ductile iron grating closed,  
black



	Length mm	Width mm	Height mm	Intake cross- sect. cm <sup>2</sup> /m	Weight kg	Article No.
GUGI-Ductile iron mesh grating, MW 20/30, black	500	227	40	628	11,5	2068
Ductile iron grating closed, black	500	227	40	0	10,7	2262

## FASERFIX®SUPER 150 - Gratings, class F 900

Ductile iron grating  
SW 150/20, black



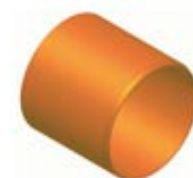
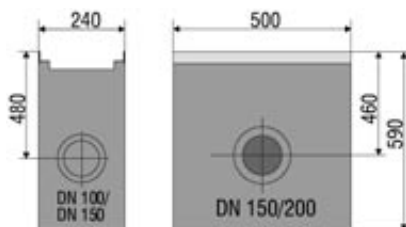
	Length mm	Width mm	Height mm	Intake cross- sect. cm <sup>2</sup> /m	Weight kg	Article No.
Ductile iron grating SW 150/20, black	500	227	40	710	9,8	2061

# FASERFIX® SUPER 150

## FASERFIX® SUPER 150 - Accessories



Trash box with galvanised bucket



PVC - connection DN 150



Foul air trap DN 150

	Length mm	Width mm	Height mm	Weight kg	Article No.
Trash box with galvanised bucket	500	240	590	93,0	2052
Foul air trap DN 150	-	-	-	2,0	960
PVC - connection DN 150	-	-	-	0,5	906

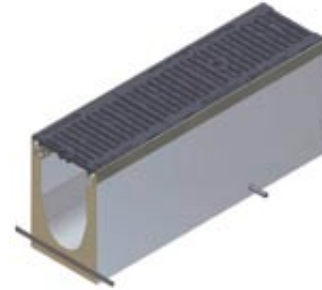
# FASERFIX® SUPER 150



Sealing material Masterflex 700 FR Gun Grade, cartridge 450 ml\*\*



End cap closed, galvanised, Type 01



Fixing-system EP, empty conduit in the channel bottom, (2 pieces per running metre)

	Length mm	Width mm	Height mm	Weight kg	Article No.
End cap closed, galvanised, Type 01	-	240	255	0,9	2081
End cap closed, galvanised, Type 010	-	240	309	1,1	2082
End cap closed, galvanised, Type 020	-	240	369	1,3	2083
End cap with horizontal UPVC-outlet DN 150, galvanised, Typ 01	-	240	255	1,5	2091
End cap with horizontal UPVC-outlet DN 150, galvanised, Type 010	-	240	309	1,5	2092
End cap with horizontal UPVC-outlet DN 150, galvanised, Type 020	-	240	369	1,7	2093
Cutting to length of NW 150	-	-	-	-	991
Mitre cuts of NW 150 (two cuts per connection)	-	-	-	-	996
Drilling of connecting holes DN 150	-	-	-	-	973
Inserting of PVC union connectors DN 150*	-	-	-	-	983
Sealing material Masterflex 700 FR Gun Grade, cartridge 450 ml**	-	-	-	1,0	19000
Primer Masterflex 700 A SP, capacity 1000 ml	-	-	-	1,0	20000
Primer Masterflex 700 FE (steel), capacity 1000 ml	-	-	-	1,1	19950
Toolkit for sealing material Masterflex 700 FR Gun Grade	-	-	-	3,1	10025
Fixing-system EP, empty conduit in the channel bottom, (2 pieces per running metre)	-	-	-	-	703
Steelbars for fixing system (2 pieces per running metre)	-	-	-	-	704

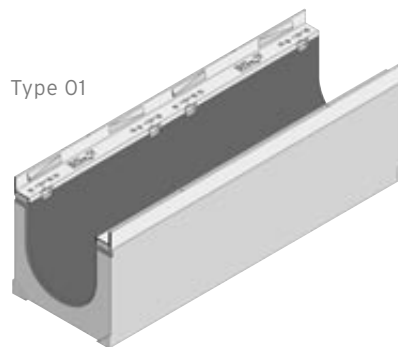
\* We can additionally insert SML- or PE-HD outlets on appointment

\*\* Consumption for channely type 020: approx. 94 ml per joint.

The quality of the stainless steel material is according CNS 1.4301.

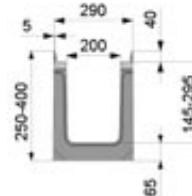
# FASERFIX® SUPER 200

## FASERFIX® SUPER 200 - Channel lower parts



	Length mm	Width mm	Height mm	Drainage cross- sect. cm <sup>2</sup>	Weight kg	Article No.
Type 01	1000	290	305	362	103,0	3000
Type 010	1000	290	350	447	114,0	3042
Type 020	1000	290	400	552	125,0	3044
Type 0105	500	290	305	362	51,5	3049

## FASERFIX® SUPER 200 - Channel lower parts angular



	Length mm	Width mm	Height mm	Drainage cross- sect. cm <sup>2</sup>	Weight kg	Article No.
Type 01 E	1000	290	305	386	104,5	3105
Type 010 E	1000	290	350	473	113,5	3106
Type 020 E	1000	290	400	568	124,5	3107

# FASERFIX®SUPER 200

## FASERFIX®SUPER 200 - Gratings, class E 600

GUGI-Ductile iron mesh grating MW 20/30, black



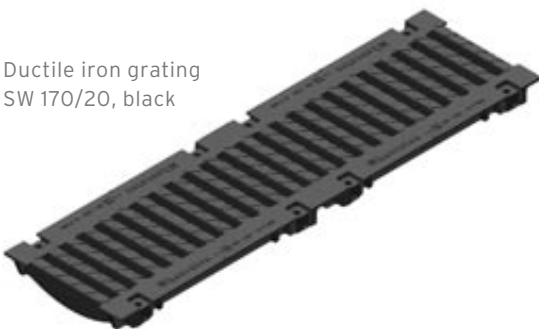
Ductile iron grating closed, black



	Length mm	Width mm	Height mm	Intake cross- sect. cm <sup>2</sup> /m	Weight kg	Article No.
GUGI-Ductile iron mesh grating MW 20/30, black	500	277	40	818	13,8	3068
Ductile iron grating closed, black	500	277	40	0	13,4	3262

## FASERFIX®SUPER 200 - Gratings, class F 900

Ductile iron grating SW 170/20, black



	Length mm	Width mm	Height mm	Intake cross- sect. cm <sup>2</sup> /m	Weight kg	Article No.
Ductile iron grating SW 170/20, black	500	277	40	833	13,6	3061

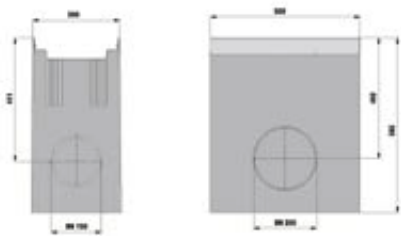


# FASERFIX® SUPER 200

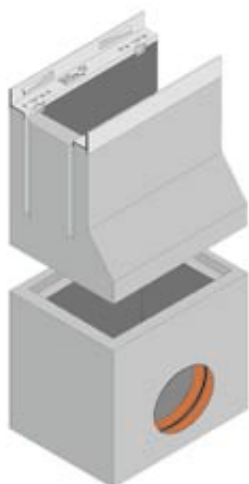
## FASERFIX® SUPER 200 - Accessories



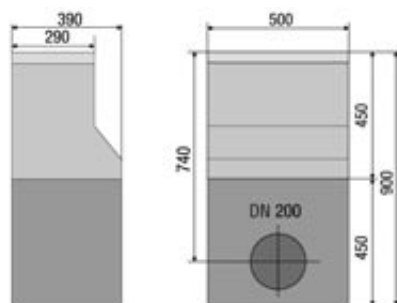
Trash box with galvanised bucket



Foul air trap DN 150



Trash box, 2-pieces with galvanised bucket



PVC - connection DN 150

	Length mm	Width mm	Height mm	Weight kg	Article No.
Trash box with galvanised bucket	500	290	582	80,0	3052
Trash box, 2-pieces with galvanised bucket	500	290	900	190,5	3054
Foul air trap DN 150	-	-	-	2,0	960

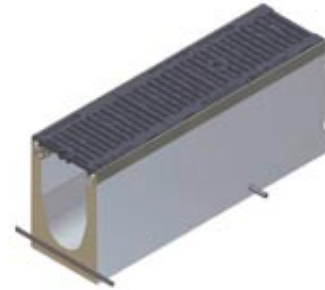
# FASERFIX® SUPER 200



Sealing material Masterflex 700 FR Gun Grade, cartridge 450 ml\*\*



End cap closed, galvanised, Type 01



Fixing-system EP, empty conduit in the channel bottom, (2 pieces per running metre)

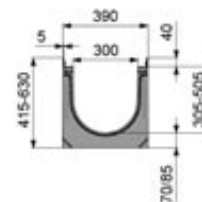
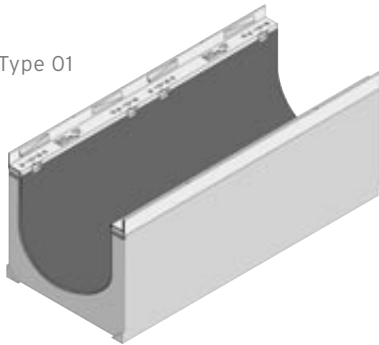
	Length mm	Width mm	Height mm	Weight kg	Article No.
PVC - connection DN 150	-	-	-	0,5	906
End cap closed, galvanised, Type 01	-	290	305	1,3	3081
End cap closed, galvanised, Type 010	-	290	350	1,6	3082
End cap closed, galvanised, Type 020	-	290	400	1,8	3083
End cap with horizontal UPVC-outlet DN 150, galvanised, Type 01	-	290	305	1,6	3091
End cap with horizontal UPVC-outlet DN 150, galvanised, Type 020	-	290	400	2,0	3093
Cutting to length of NW 200	-	-	-	-	992
Mitre cuts of NW 200 (two cuts per connection)	-	-	-	-	997
Drilling of connecting holes DN 200	-	-	-	-	974
Inserting of PVC union connectors DN 200*	-	-	-	-	984
Sealing material Masterflex 700 FR Gun Grade, cartridge 450 ml**	-	-	-	1,0	19000
Primer Masterflex 700 A SP, capacity 1000 ml	-	-	-	1,0	20000
Primer Masterflex 700 FE (steel), capacity 1000 ml	-	-	-	1,1	19950
Toolkit for sealing material Masterflex 700 FR Gun Grade	-	-	-	3,1	10025
Fixing-system EP, empty conduit in the channel bottom, (2 pieces per running metre)	-	-	-	-	703
Steelbars for fixing system (2 pieces per running metre)	-	-	-	-	704

\* We can additionally insert SML- or PE-HD outlets on appointment  
 \*\* Consumption for channely type 020: approx. 105 ml per joint.  
 The quality of the stainless steel material is according CNS 1.4301.

# FASERFIX®SUPER 300

## FASERFIX®SUPER 300 - Channel lower parts

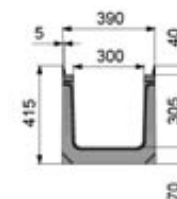
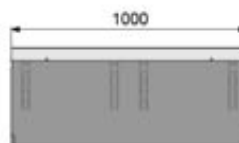
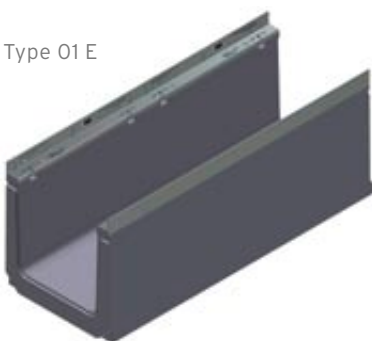
Type 01



	Length mm	Width mm	Height mm	Drainage cross- sect. cm <sup>2</sup>	Weight kg	Article No.
Type 01	1000	390	415	803	157,0	4000
Type 020	1000	390	630	1202	260,0	4044
Type 0105	500	390	415	803	75,0	4001

## FASERFIX®SUPER 300 - Channel lower parts angular

Type 01 E

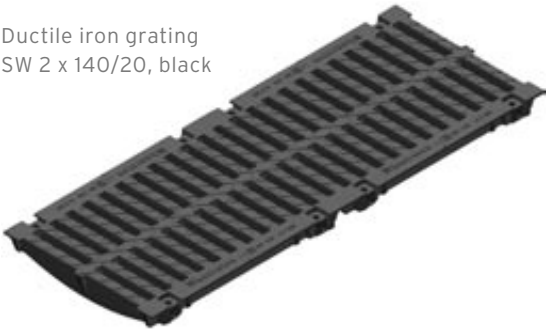


	Length mm	Width mm	Height mm	Drainage cross- sect. cm <sup>2</sup>	Weight kg	Article No.
Type 01 E	1000	390	415	900	150,0	4105

# FASERFIX®SUPER 300

## FASERFIX®SUPER 300 - Gratings, class C 250

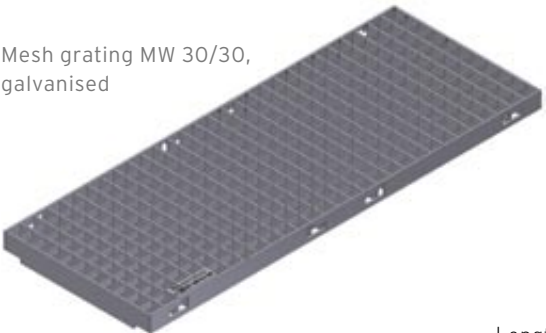
Ductile iron grating  
SW 2 x 140/20, black



Mesh grating MW 30/15,  
galvanised



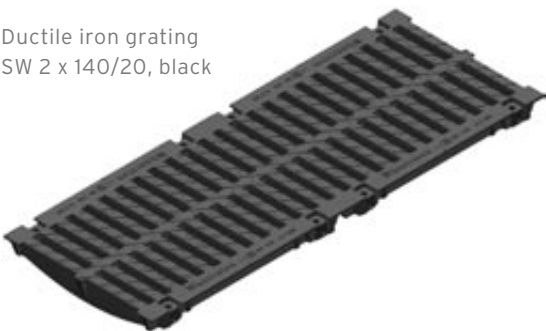
Mesh grating MW 30/30,  
galvanised



	Length mm	Width mm	Height mm	Intake cross- sect. cm <sup>2</sup> /m	Weight kg	Article No.
Ductile iron grating SW 2 x 140/20, black	500	377	40	1328	18,7	4064
Mesh grating MW 30/15, galvanised	1000	377	40	2127	32,1	4075
Mesh grating MW 30/15, galvanised	500	377	40	2127	17,0	4076
Mesh grating MW 30/30, galvanised	1000	377	40	2355	29,1	4073
Mesh grating MW 30/30, galvanised	500	377	40	2355	15,2	4074

## FASERFIX®SUPER 300 - Gratings, class D 400\*

Ductile iron grating  
SW 2 x 140/20, black



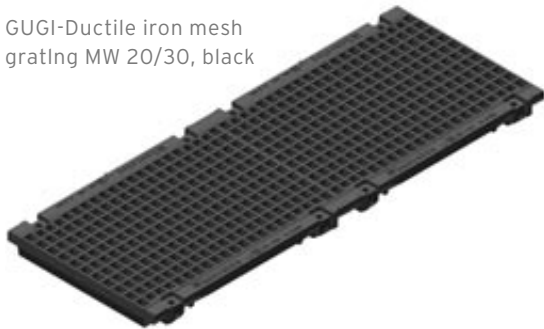
	Length mm	Width mm	Height mm	Intake cross- sect. cm <sup>2</sup> /m	Weight kg	Article No.
Ductile iron grating SW 2 x 140/20, black	500	377	40	1328	20,6	4063

\* Not for use across the carriageway of highways or motorways in moving traffic.

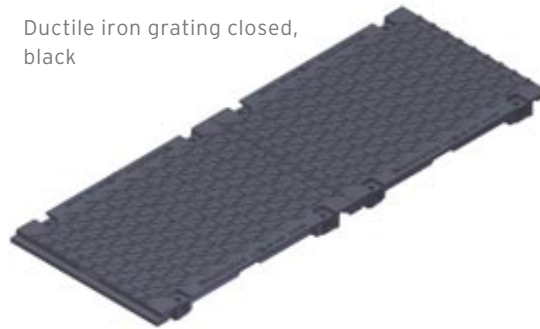
# FASERFIX® SUPER 300

## FASERFIX® SUPER 300 - Gratings, class E 600

GUGI-Ductile iron mesh  
grating MW 20/30, black



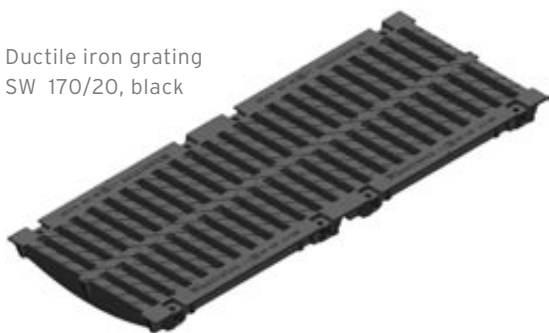
Ductile iron grating closed,  
black



	Length mm	Width mm	Height mm	Intake cross- sect. cm <sup>2</sup> /m	Weight kg	Article No.
GUGI-Ductile iron mesh grating MW 20/30, black	500	377	40	1071	21,8	4068
Ductile iron grating closed, black	500	377	40	0	21,5	4262

## FASERFIX® SUPER 300 - Gratings, class F 900

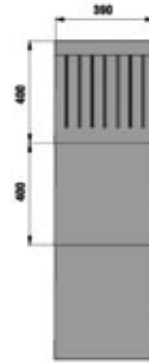
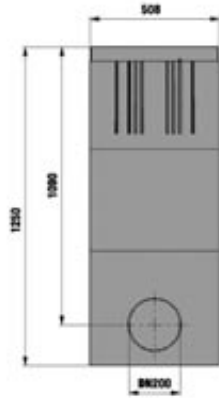
Ductile iron grating  
SW 170/20, black



	Length mm	Width mm	Height mm	Intake cross- sect. cm <sup>2</sup> /m	Weight kg	Article No.
Ductile iron grating SW 170/20, black	500	377	40	1328	23,5	4061

# FASERFIX®SUPER 300

## FASERFIX®SUPER 300 - Accessories



End cap closed, galvanised, type 01

Trash box with galvanised bucket, two parts with ductile iron grating SW 2 x 140/20, black, class F 900

	Length mm	Width mm	Height mm	Weight kg	Article No.
Trash box with galvanised bucket, two parts with ductile iron grating SW 2 x 140/20, black, class F 900	510	390	850	207,0	4052
Intersection units, two parts with ductile iron grating, closed, black, class E 600	510	390	850	207,0	4352
Extension part	510	390	400	82,0	4054
PVC-Connection DN 200	-	-	-	0,8	907
End cap closed, galvanised, type 01	-	390	415	2,5	4081
End cap closed, galvanised, type 020	-	390	630	3,8	4083
End cap with horizontal UPVC-outlet DN 200, galvanised, type 01	-	390	415	3,0	4085
End cap with horizontal UPVC-outlet DN 200, galvanised, type 020	-	390	630	4,5	4088
Cutting to length of NW 300	-	-	-	-	993
Mitre cuts of NW 300 ( two cuts per connection )	-	-	-	-	998
Drilling of connecting holes DN 200	-	-	-	-	974
Inserting of PVC union connectors DN 200*	-	-	-	-	984
Sealing material Masterflex 700 FR Gun Grade, cartridge 450 ml**	-	-	-	1,0	19000
Primer Masterflex 700 A SP, capacity 1000 ml	-	-	-	1,0	20000
Primer Masterflex 700 FE (steel), capacity 1000 ml	-	-	-	1,1	19950
Toolkit for sealing material Masterflex 700 FR Gun Grade	-	-	-	3,1	10025
Fixing-system EP, empty conduit in the channel bottom, (2 pieces per running metre)	-	-	-	-	703
Steelbars for fixing system (2 pieces per running metre)	-	-	-	-	704

\*\* Consumption for channelly type 020: approx. 169 ml per joint.

\* We can additionally insert SML- or PE-HD outlets on appointment  
The quality of the stainless steel material is according CNS 1.4301.

# FASERFIX® SUPER 400

## FASERFIX® SUPER 400 - Channel lower parts



	Length mm	Width mm	Height mm	Drainage cross- sect. cm <sup>2</sup>	Weight kg	Article No.
Type 01	1000	490	540	1398	248,0	4111
Type 01H	1000	490	630	1758	268,0	4116

## FASERFIX® SUPER 400 - Gratings, class D 400\*

Ductile iron grating  
SW 3x 120/20, black



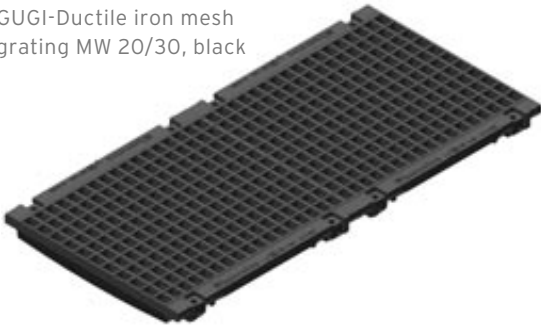
	Length mm	Width mm	Height mm	Intake cross- sect. cm <sup>2</sup> /m	Weight kg	Article No.
Ductile iron grating SW 3x 120/20, black	500	477	40	1618	25,0	4163

\* Not for use across the carriageway of highways or motorways in moving traffic.

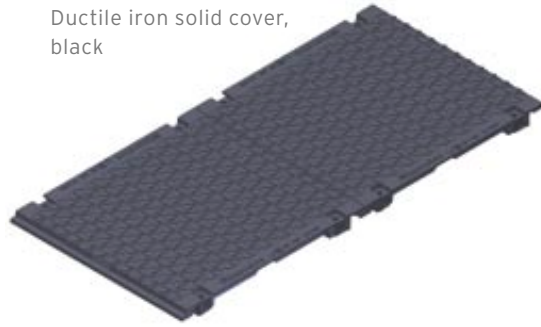
# FASERFIX®SUPER 400

## FASERFIX®SUPER 400 - Gratings, class E 600

GUGI-Ductile iron mesh grating MW 20/30, black



Ductile iron solid cover, black



	Length mm	Width mm	Height mm	Intake cross- sect. cm <sup>2</sup> /m	Weight kg	Article No.
GUGI-Ductile iron mesh grating MW 20/30, black	500	477	40	1634	30,0	4168
Ductile iron solid cover, black	500	477	40	0	32,0	4362

## FASERFIX®SUPER 400 - Gratings, class F 900

Ductile iron grating  
SW 3 x 120/20, black



	Length mm	Width mm	Height mm	Intake cross- sect. cm <sup>2</sup> /m	Weight kg	Article No.
Ductile iron grating SW 3 x 120/20, black	500	477	40	1618	38,7	4161



# FASERFIX® SUPER 400

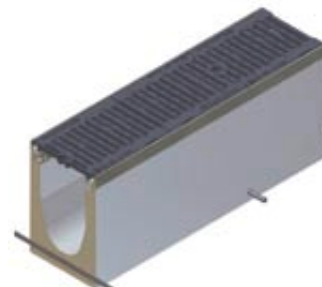
## FASERFIX® SUPER 400 - Accessories



Sealing material Masterflex 700 FR Gun Grade, cartridge 450 ml\*\*



End cap closed, galvanised, Type 01



Fixing-system EP, empty conduit in the channel bottom, (2 pieces per running metre)

	Length mm	Width mm	Height mm	Weight kg	Article No.
End cap closed, galvanised, Type 01	-	490	540	4,8	4091
End cap closed, galvanised, Type 01H	-	490	630	5,1	4092
End cap with horizontal UPVC-outlet DN 200, galvanised, Type 01	-	490	540	5,6	4093
End cap with horizontal UPVC-outlet DN 200, galvanised, Typ 01H	-	490	630	5,9	4097
Cutting to length of NW 400	-	-	-	-	985
Mitre cuts of NW 400 (Two parts per connection)	-	-	-	-	949
Drilling of connecting holes DN 200	-	-	-	-	974
Inserting of PVC union connectors DN 200*	-	-	-	-	984
Sealing material Masterflex 700 FR Gun Grade, cartridge 450 ml**	-	-	-	1,0	19000
Primer Masterflex 700 A SP, capacity 1000 ml	-	-	-	1,0	20000
Primer Masterflex 700 FE (steel), capacity 1000 ml	-	-	-	1,1	19950
Toolkit for sealing material Masterflex 700 FR Gun Grade	-	-	-	3,1	10025
Fixing-system EP, empty conduit in the channel bottom, (2 pieces per running metre)	-	-	-	-	703
Steelbars for fixing system (2 pieces per running metre)	-	-	-	-	704

\* We can additionally insert SML- or PE-HD outlets on appointment

\*\* Consumption for channel type 020: approx. 172 ml per joint.

The quality of the stainless steel material is according CNS 1.4301.

**FASERFIX®SUPER KS**

**FASERFIX®BIG**

**FASERFIX®TRAFFIC**

**RECYRFIX®SUPER KS**

**RECYRFIX®PLUS X**

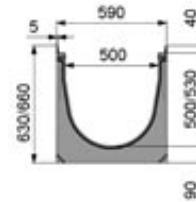
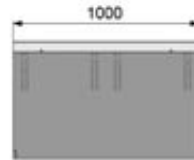
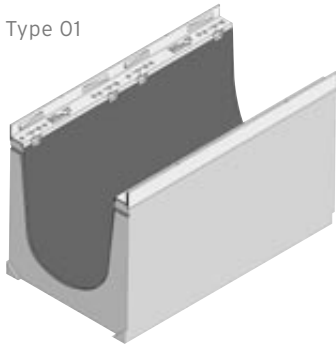
**RECYRFIX®HICAP**

**FASERFIX®POINT**

# FASERFIX® SUPER 500

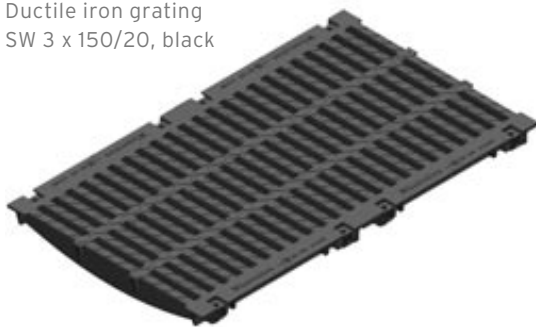
## FASERFIX® SUPER 500 - Channel lower parts

Type 01



	Length mm	Width mm	Height mm	Drainage cross- sect. cm <sup>2</sup>	Weight kg	Article No.
Type 01	1000	590	630	2141	303,0	4121

## FASERFIX® SUPER 500 - Gratings, class E 600

Ductile iron grating  
SW 3 x 150/20, black

	Length mm	Width mm	Height mm	Intake cross- sect. cm <sup>2</sup> /m	Weight kg	Article No.
Ductile iron grating SW 3 x 150/20, black	500	577	40	2061	45,0	4182

# FASERFIX®SUPER 500

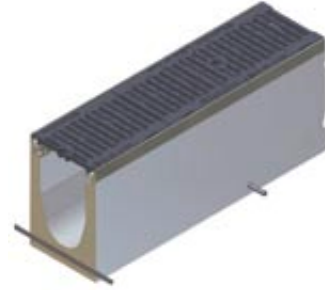
## FASERFIX®SUPER 500 - Accessories



Sealing material Masterflex 700 FR Gun Grade, cartridge 450 ml\*\*



End cap closed, galvanised, Type 01



Fixing-system EP, empty conduit in the channel bottom, (2 pieces per running metre)

	Length mm	Width mm	Height mm	Weight kg	Article No.
End cap closed, galvanised, Type 01	-	590	630	7,5	4096
End cap with horizontal UOVC-outlet DN 200, galvanised, Type 01	-	590	630	8,0	4095
Cutting to length of NW 500	-	-	-	-	989
Mitre cuts of NW 500 (two cuts per connection)	-	-	-	-	959
Drilling of connecting holes DN 200	-	-	-	-	974
Inserting of PVC union connectors DN 200*	-	-	-	-	984
Sealing material Masterflex 700 FR Gun Grade, cartridge 450 ml**	-	-	-	1,0	19000
Primer Masterflex 700 A SP, capacity 1000 ml	-	-	-	1,0	20000
Primer Masterflex 700 FE (steel), capacity 1000 ml	-	-	-	1,1	19950
Toolkit for sealing material Masterflex 700 FR Gun Grade	-	-	-	3,1	10025
Fixing-system EP, empty conduit in the channel bottom, (2 pieces per running metre)	-	-	-	-	703
Steelbars for fixing system (2 pieces per running metre)	-	-	-	-	704

\* We can additionally insert SML- or PE-HD outlets on appointment

\*\* Consumption for channely type O20: approx. 178 ml per joint.

The quality of the stainless steel material is according CNS 1.4301.